

Direct Drive Air Blasters 115/230V & 230/460V

For Special Custom Order Products - Once in production non-cancellable, non-returnable under any circumstance.



High Stand

1 Year Warranty

Features

- 115/230V & 230/460V, Totally Enclosed and Explosion Proof, Ball Bearing Motors
- Adjustable Tilt Drum on High & Medium Models
- Front & Rear Guards Meet OSHA Standards
- Cast Aluminum Non-Sparking Propellers
- Portable or Stationary Mount
- Welded Steel Construction
- Non-Tipping Heavy Base



Motor Voltage Key

1 Phase 115/230V

3 Phase 230/460V

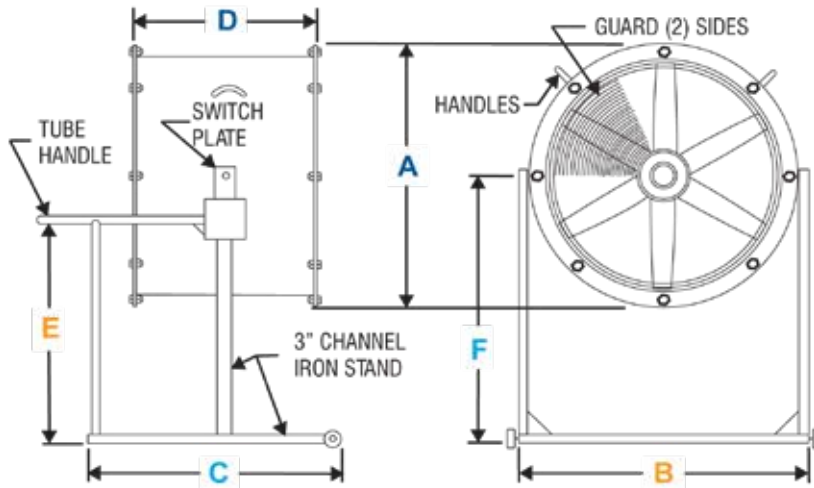
High Stand Model - 360° Tilt - Totally Enclosed Motor

EDP No.	Catalog No.	Prop Dia.	Phase	Volt	HP	Decibals @ 10'	CFM	RPM	Ship Wt.
21300	18M-1/4	18"	1	115/230					
21301	18MP-1/4	18"	3	230/460	¼	74	3450	1725	228
21310	24M-1/4	24"	1	115/230					
21311	24MP-1/4	24"	3	230/460	¼	80	5200	1725	255
21320	24M-1/2	24"	1	115/230					
21321	24MP-1/2	24"	3	230/460	½	80	6500	1725	260
21330	24M-1	24"	1	115/230					
21331	24MP-1	24"	3	230/460	1	82	7400	1725	270
21341	24MP-3	24"	3	230/460	3	87	10500	1725	300
21350	30M-1/2	30"	1	115/230					
21351	30MP-1/2	30"	3	230/460	½	86	8000	1725	281
21360	30M-1½	30"	1	115/230					
21361	30MP-1½	30"	3	230/460	1½	92	11000	1725	340
21371	30MP-3	30"	3	230/460	3	94	16000	1725	360
21380	36M-1½	36"	1	115/230					
21381	36MP-1½	36"	3	230/460	1½	88	14850	1725	415
21390	36M-2	36"	1	115/230					
21391	36MP-2	36"	3	230/460	2	90	16800	1725	420
21601	36MP-3	36"	3	230/460	3	84	20000	1150	445
21411	42MP-2	42"	3	230/460	2	86	18000	1150	565
21621	42MP-5	42"	3	230/460	5	86	28000	1150	590
21631	48MP-7½	48"	3	230/460	7½	105	37000	1150	875



Direct Drive Air Blasters 115/230V & 230/460V

For Special Custom Order Products - Once in production non-cancellable, non-returnable under any circumstance.



High Stand Dimensions

Size	A	B	C	D	E	F
18"	20	23	30	20	25	42
24"	26	29	30	20	25	42
30"	32	35	30	20	25	42
36"	38	41	30	24	25	42
42"	44	47	30	24	25½	42
48"	51	53	30	28	25½	42

Motor Voltage Key

1 Phase	115/230V
3 Phase	230/460V

High Stand Model - 360° Tilt - Explosion Proof Motor

EDP No.	Catalog No.	Prop Dia.	Phase	Volt	HP	Decibals @ 10'	CFM	RPM	Ship Wt.
21302	18M-1/4X	18"	1	115/230	¼	74	3450	1725	228
21303	18MP-1/4X	18"	3	230/460	¼	74	3450	1725	228
21312	24M-1/4X	24"	1	115/230	¼	80	5200	1725	255
21313	24MP-1/4X	24"	3	230/460	¼	80	5200	1725	255
21322	24M-1/2X	24"	1	115/230	½	80	6500	1725	260
21323	24MP-1/2X	24"	3	230/460	½	80	6500	1725	260
21332	24M-1X	24"	1	115/230	1	82	7400	1725	270
21333	24MP-1X	24"	3	230/460	1	82	7400	1725	270
21343	24MP-3X	24"	3	230/460	3	87	10500	1725	300
21352	30M-1/2X	30"	1	115/230	½	86	8000	1725	281
21353	30MP-1/2X	30"	3	230/460	½	86	8000	1725	281
21362	30M-1½X	30"	1	115/230	1½	92	11000	1725	340
21363	30MP-1½X	30"	3	230/460	1½	92	11000	1725	340
21373	30MP-3X	30"	3	230/460	3	94	16000	1725	360
21382	36M-1½X	36"	1	115/230	1½	88	14850	1725	415
21383	36MP-1½X	36"	3	230/460	1½	88	14850	1725	415
21393	36MP-2X	36"	3	230/460	2	90	16800	1725	420
21603	36MP-3X	36"	3	230/460	3	84	20000	1150	445
21413	42MP-2X	42"	3	230/460	2	86	18000	1150	565
21623	42MP-5X	42"	3	230/460	5	86	28000	1150	590
21633	48MP-7½X	48"	3	230/460	7½	105	37000	1150	875

Direct Drive Air Blasters 115/230V & 230/460V

For Special Custom Order Products - Once in production non-cancellable, non-returnable under any circumstance.



Medium Stand

1 Year Warranty

Features

- 115/230V & 230/460V, Totally Enclosed and Explosion Proof, Ball Bearing Motors
- Adjustable Tilt Drum on High & Medium Models
- Front & Rear Guards Meet OSHA Standards
- Cast Aluminum Non-Sparking Propellers
- Portable or Stationary Mount
- Welded Steel Construction
- Non-Tipping Heavy Base



Motor Voltage Key

1 Phase 115/230V

3 Phase 230/460V

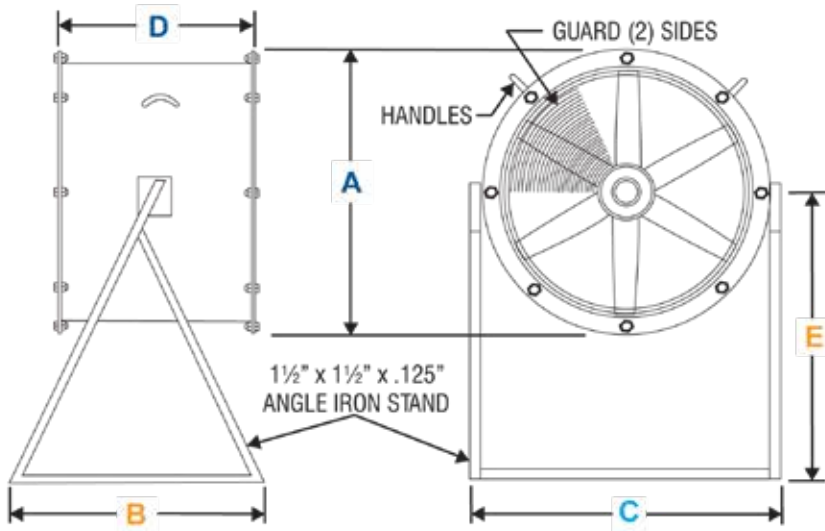
Medium Stand Model - 360° Tilt - Totally Enclosed Motor

EDP No.	Catalog No.	Prop Dia.	Phase	Volt	HP	Decibals @ 10'	CFM	RPM	Ship Wt.
21700	18M-1/4M	18"	1	115/230					
21701	18MP-1/4M	18"	3	230/460	¼	74	3450	1725	160
21710	24M-1/4M	24"	1	115/230					
21711	24MP-1/4M	24"	3	230/460	¼	80	5200	1725	165
21720	24M-1/2M	24"	1	115/230					
21721	24MP-1/2M	24"	3	230/460	½	80	6500	1725	180
21730	24M-1M	24"	1	115/230					
21731	24MP-1M	24"	3	230/460	1	82	7400	1725	190
21741	24MP-3M	24"	3	230/460	3	87	10500	1725	260
21750	30M-1/2M	30"	1	115/230					
21751	30MP-1/2M	30"	3	230/460	½	86	8000	1725	220
21760	30M-1½M	30"	1	115/230					
21761	30MP-1½M	30"	3	230/460	1½	92	11000	1725	260
21771	30MP-3M	30"	3	230/460	3	94	16000	1725	277
21780	36M-1½M	36"	1	115/230					
21781	36MP-1½M	36"	3	230/460	1½	88	14850	1725	320
21790	36M-2M	36"	1	115/230					
21791	36MP-2M	36"	3	230/460	2	90	16800	1725	325
22001	36MP-3M	36"	3	230/460	3	84	20000	1150	350
21811	42MP-2M	42"	3	230/460	2	86	18000	1150	415
22021	42MP-5M	42"	3	230/460	5	86	28000	1150	440
22031	48MP-7½M	48"	3	230/460	7½	105	37000	1150	745



Direct Drive Air Blasters 115/230V & 230/460V

For Special Custom Order Products - Once in production non-cancellable, non-returnable under any circumstance.



Medium Stand Dimensions

Size	A	B	C	D	E
18"	20	23	30	20	25
24"	26	29	30	20	25
30"	32	35	30	20	25
36"	38	41	30	24	25
42"	44	47	30	24	25½
48"	51	53	30	28	25½

Motor Voltage Key

1 Phase	115/230V
3 Phase	230/460V

Medium Stand Model - 360° Tilt - Explosion Proof Motor

EDP No.	Catalog No.	Prop Dia.	Phase	Volt	HP	Decibals @ 10'	CFM	RPM	Ship Wt.
21702	18M-1/4MX	18"	1	115/230	¼	74	3450	1725	160
21703	18MP-1/4MX	18"	3	230/460					
21712	24M-1/4MX	24"	1	115/230	¼	80	5200	1725	165
21713	24MP-1/4MX	24"	3	230/460					
21722	24M-1/2MX	24"	1	115/230	½	80	6500	1725	180
21723	24MP-1/2MX	24"	3	230/460					
21732	24M-1MX	24"	1	115/230	1	82	7400	1725	190
21733	24MP-1MX	24"	3	230/460					
21743	24MP-3MX	24"	3	230/460	3	87	10500	1725	260
21752	30M-1/2MX	30"	1	115/230	½	86	8000	1725	220
21753	30MP-1/2MX	30"	3	230/460					
21762	30M-1½MX	30"	1	115/230	1½	92	11000	1725	260
21763	30MP-1½MX	30"	3	230/460					
21773	30MP-3MX	30"	3	230/460	3	94	16000	1725	277
21782	36M-1½MX	36"	1	115/230	1½	88	14850	1725	320
21783	36MP-1½MX	36"	3	230/460					
21793	36MP-2MX	36"	3	230/460	2	90	16800	1725	325
22003	36MP-3MX	36"	3	230/460	3	84	20000	1150	350
21813	42MP-2MX	42"	3	230/460	2	86	18000	1150	415
22023	42MP-5MX	42"	3	230/460	5	86	28000	1150	440
22033	48MP-7½MX	48"	3	230/460	7½	105	37000	1150	745



Warning: Cancer and Reproductive Harm www.P65Warnings.ca.gov
This warning is applicable to all products on this page, see page i2 for more information

Direct Drive Air Blasters 115/230V & 230/460V

For Special Custom Order Products - Once in production non-cancellable, non-returnable under any circumstance.



Low Stand

1 Year Warranty

Features

- 115/230V & 230/460V, Totally Enclosed and Explosion Proof, Ball Bearing Motors
- Front & Rear Guards Meet OSHA Standards
- Cast Aluminum Non-Sparking Propellers
- Portable or Stationary Mount
- Welded Steel Construction
- Non-Tipping Heavy Base



Motor Voltage Key

1 Phase 115/230V

3 Phase 230/460V

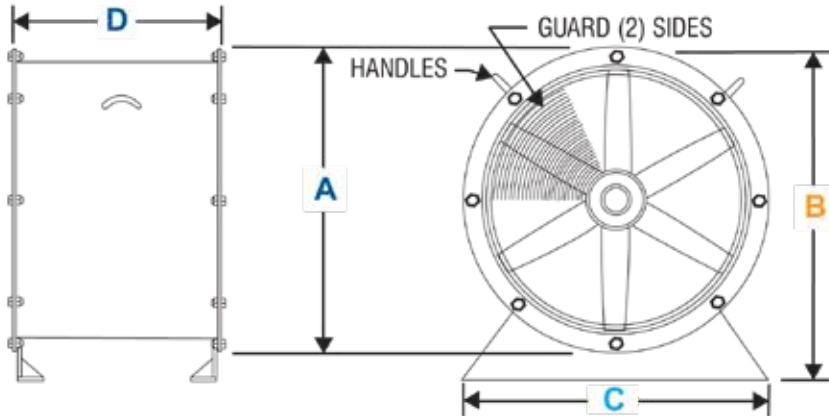
Low Stand Model - Totally Enclosed Motor

EDP No.	Catalog No.	Prop Dia.	Phase	Volt	HP	Decibals @ 10'	CFM	RPM	Ship Wt.
22100	18M-1/4L	18"	1	115/230	1/4	74	3450	1725	87
22101	18MP-1/4L	18"	3	230/460					
22110	24M-1/4L	24"	1	115/230	1/4	80	5200	1725	115
22111	24MP-1/4L	24"	3	230/460					
22120	24M-1/2L	24"	1	115/230	1/2	80	6500	1725	120
22121	24MP-1/2L	24"	3	230/460					
22130	24M-1L	24"	1	115/230	1	82	7400	1725	130
22131	24MP-1L	24"	3	230/460					
22141	24MP-3L	24"	3	230/460	3	87	10500	1725	160
22150	30M-1/2L	30"	1	115/230	1/2	86	8000	1725	141
22151	30MP-1/2L	30"	3	230/460					
22160	30M-1 1/2L	30"	1	115/230	1 1/2	92	11000	1725	200
22161	30MP-1 1/2L	30"	3	230/460					
22171	30MP-3L	30"	3	230/460	3	94	16000	1725	220
22180	36M-1 1/2L	36"	1	115/230	1 1/2	88	14850	1725	250
22181	36MP-1 1/2L	36"	3	230/460					
22190	36M-2L	36"	1	115/230	2	90	16800	1725	255
22191	36MP-2L	36"	3	230/460					
22401	36MP-3L	36"	3	230/460	3	84	20000	1150	280
22211	42MP-2L	42"	3	230/460	2	86	18000	1150	315
22421	42MP-5L	42"	3	230/460	5	86	28000	1150	340
22431	48MP-7 1/2L	48"	3	230/460	7 1/2	105	37000	1150	685



Direct Drive Air Blasters 115/230V & 230/460V

For Special Custom Order Products - Once in production non-cancellable, non-returnable under any circumstance.



Low Stand Dimensions

Size	A	B	C	D
18"	20	23	30	20
24"	26	29	30	20
30"	32	35	30	20
36"	38	41	30	24
42"	44	47	30	24
48"	51	53	30	28

Motor Voltage Key

1 Phase	115/230V
3 Phase	230/460V

Low Stand Model - Explosion Proof Motor

EDP No.	Catalog No.	Prop Dia.	Phase	Volt	HP	Decibals @ 10'	CFM	RPM	Ship Wt.
22102	18M-1/4LX	18"	1	115/230	1/4	74	3450	1725	87
22103	18MP-1/4LX	18"	3	230/460					
22112	24M-1/4LX	24"	1	115/230	1/4	80	5200	1725	115
22113	24MP-1/4LX	24"	3	230/460					
22122	24M-1/2LX	24"	1	115/230	1/2	80	6500	1725	120
22123	24MP-1/2LX	24"	3	230/460					
22132	24M-1LX	24"	1	115/230	1	82	7400	1725	130
22133	24MP-1LX	24"	3	230/460					
22143	24MP-3LX	24"	3	230/460	3	87	10500	1725	160
22152	30M-1/2LX	30"	1	115/230	1/2	86	8000	1725	141
22153	30MP-1/2LX	30"	3	230/460					
22162	30M-1 1/2LX	30"	1	115/230	1 1/2	92	11000	1725	200
22163	30MP-1 1/2LX	30"	3	230/460					
22173	30MP-3LX	30"	3	230/460	3	94	16000	1725	220
22182	36M-1 1/2LX	36"	1	115/230	1 1/2	88	14850	1725	250
22183	36MP-1 1/2LX	36"	3	230/460					
22193	36MP-2LX	36"	3	230/460	2	90	16800	1725	255
22403	36MP-3LX	36"	3	230/460	3	84	20000	1150	280
22213	42MP-2LX	42"	3	230/460	2	86	18000	1150	315
22423	42MP-5LX	42"	3	230/460	5	86	28000	1150	340
22433	48MP-7 1/2LX	48"	3	230/460	7 1/2	105	37000	1150	685



Warning: Cancer and Reproductive Harm www.P65Warnings.ca.gov
This warning is applicable to all products on this page, see page i2 for more information

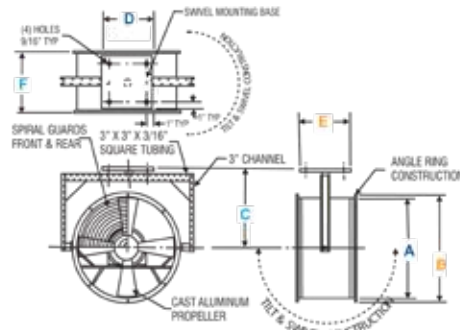
Direct Drive Air Blasters 115/230V & 230/460V

For Special Custom Order Products - Once in production non-cancellable, non-returnable under any circumstance.

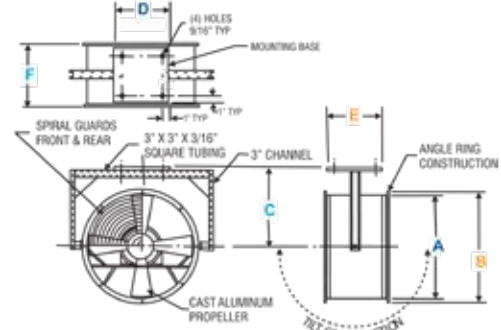
Accessories & Modifications



Yoke Mount



Tilt & Swivel



Tilt Only



Yoke Mount Dimensions

Size	A	B	C Tilt Only	C Tilt & Swivel Only	D	E	F
18"	18	20	17	17½	15	15	20
24"	24	26	21	21½	15	15	20
30"	30	30	25	25½	15	15	20
36"	36	28	29	29½	18	18	24

Yoke Mount

EDP No.	Catalog No.	Option	Prop Dia.	Description	Ship Wt.
22440	Yoke Mount - Tilt	Tilt	18"	For Wall / Vertical Mount	45
22441	Yoke Mount - Tilt, Swivel	Tilt & Swivel			
22450	Yoke Mount - Tilt	Tilt	24"	For Wall / Vertical Mount	50
22451	Yoke Mount - Tilt, Swivel	Tilt & Swivel			
22460	Yoke Mount - Tilt	Tilt	30"	For Wall / Vertical Mount	55
22461	Yoke Mount - Tilt, Swivel	Tilt & Swivel			
22470	Yoke Mount - Tilt	Tilt	36"	For Wall / Vertical Mount	70
22471	Yoke Mount - Tilt, Swivel	Tilt & Swivel			

Casters with Locking Device - Only for Low & Medium Models

EDP No.	Catalog No.	Prop Dia.	Description	Ship Wt.
22480	Castors	18" - 30"	Two Fixed / Two Swivel	12
22490	Castors	36" - 48"	Two Fixed / Two Swivel	16

Optional Prewired Starter Switches

EDP No.	Catalog No.	Phase	Motor HP				
91901	Starter Switch	1	¼		½		1
91902	Starter Switch		1½				
91903	Starter Switch	3	¼	½	1	1½	3
91904	Starter Switch		5				

