



History

Airmaster's history originates in 1886 as the first electrical fan was patented by the Diehl Fan Company. During the next 100 years, Airmaster acquired the Chelsea, Brundage and Power Line Fan companies and marketed each brand separately. To streamline operations, sales and marketing of circulation/ventilation products were consolidated in 2002 to one name, Airmaster Fan Company. Airmaster has always been a family owned business and we do not answer to a corporation on Wall Street, instead, we answer to our customers on Main Street.

In 2013, Airmaster was purchased by another family business from Germany, the Maico group. The Maico group is a globally recognized leader in ventilation products and they are known for their product quality, reliability and reputation. Maico also brings additional new marketing opportunity, fan innovation and product expertise to Airmaster. Airmaster is proud to be a part of the Maico group and looks forward to future growth.

People: Airmaster services the end user markets in the Industrial, Electrical and HVAC segments. We only sell through our select distribution partners and utilize **professional factory representatives** as our sales force across North America.

Process: Airmaster has a full fabrication and tool & die facility, offering a complete engineering/technical staff. We also provide excellent customer service and on-time delivery as a cornerstone of our business philosophy.

Products: Airmaster products are designed and developed in the U.S. and in partnership with the Maico Group, our global parent company. Our circulation, ventilation and heating products cover many market segments. Whatever your need, we have a product that will fit your requirements.

Today, Airmaster manufactures, designs and warehouses products in Clarklake, Michigan. We also maintain stocking warehouses across the U.S. keeping people, processes and plants cool. Airmaster exports throughout the world and offers the largest line of air moving equipment in North America. Our goal is to be the preferred supplier of complete air circulation/ventilation/heating solutions in North America and in other global markets. At Airmaster we value our relationships and work continuously to provide you with the highest quality products in the industry. **Airmaster "Quality You Can Feel"**.

Airmaster® Fan Company
9229 S. Meridian Rd.
Clarklake, Michigan 49234



How to get Airmaster products:

Products for use in your plant

- **Not sure about which product is right for your plant?**

Contact your local Airmaster Sales Representative

- **Ready to order?**

Your Airmaster product is close by at your local distributor; to find nearby distributors go to www.airmasterfan.com/contact

- **Need parts for your existing Airmaster product?**

Airmaster parts are available at www.airmasterfan.com/spare-parts

- **Not finding what you need?**

Contact Airmaster Customer Service (contact information listed below)

Products for distribution / resale

- **Interested in becoming an Airmaster Distributor?**

Contact your local Airmaster Sales Representative

- **Product availability?**

Contact Airmaster Customer Service (contact information listed below)

- **Distributors may place orders by:**

- Emailing sales@airmasterfan.com

Anything else, please contact Airmaster Customer Service:

- Email: sales@airmasterfan.com
- Calling: (517) 764-2300 or (800) 410-3267
- Mailing: Airmaster Fan Company
9229 South Meridian Road
Clarklake, Michigan 49234

To All Airmaster Fan Company Distributors and Customers:

A recent change to the status of nickel and other chemicals under the California law known as Proposition 65 has triggered a review of Airmaster's compliance with this regulation.

Background

California Proposition 65 (also known as Prop 65) has been in existence since the 1980's. Originally it was a ballot initiative that was to protect the ground water in that State, but it has since transformed into a more generalized system to protect California consumers from chemicals that the State of California has deemed hazardous either as a cancer-causing agent or reproductive harm or both.

It is important to know that this regulation does not limit the use of any of these chemicals per se (for instance a number of them are prescription medicines), but rather if a product is offered for sale in California it is required to warn the consumer of their presence. Also important - the regulation makes no stipulation of the amount of the chemical that may be contained in the product nor does it distinguish in the likelihood of exposure. If the chemical is present in any concentration (some chemicals have lower limits, but these are extremely low) then the warning(s) must be presented.

Compliance

Because Airmaster products are distributed nationwide, and most often Airmaster does not know the ultimate delivery address; Airmaster will be providing the prescribed labeling on all of our products both on the product itself and on the exterior of our packaging. Airmaster is also placing the warning on our printed literature and on product information on our website.

To our distributors and representatives - it is important that you also provide the warning on your advertising, website, and product information. This warning has to be clear and connected to the specific product. For additional information on how to provide the warning in compliance with the regulation we suggest you see:

www.p65warnings.ca.gov/new-proposition-65-warnings

If you have questions please don't hesitate to contact Airmaster Customer Service.

How is Heat generated and why is it a safety issue?

Heat is generated from People, Plants, Processes, Roof Pitch and from Weather (temperatures & humidity). When hot, stratified air gets trapped at the ceiling, it becomes a plant safety issue.

According to the OSHA Technical Manual, Section III, Chapter 4, "Workers should not be permitted to work when their deep body temperature exceeds 38°C (100.4°F) as it is dangerous for the worker. Air flowing past the body can cool the body if the air temperature is cool. On the other hand, air that exceeds 35°C (95°F) can increase the heat load on the body" Heat is a safety issue!

Our **CIRCULATION** Products (See pages 4-38) keep air moving in a variety of sizes and mounts.
Our **VENTILATION** Products (See pages 41-88) take hot, stratified air out of plants & brings in fresh cool air.

Terminology

Air Change: Expressed in "Minutes per Change", it's the time required to complete an air change within a given space.

CFM: The Cubic Feet per Minute of air moved by a fan.

Circulation: Moving air within an area.

CPH: Changes of air Per Hour.

FPM: Feet per Minute. The distance air travels in one minute.

HP/Horse Power: The mechanical measurement of a motor's power.

MPC: Minutes Per air Change.

PSC: Permanently Split Capacitor.

RPM: Revolutions per Minute.

SP/Static Pressure: The resistance to flow in any air moving system. Fans are rated CFM at various static pressure.

TEAO: Totally Enclosed Air Over.

TENV: Totally Enclosed Non Vented.

Velocity: The speed, expressed in FPM (feet per minute) of air.

Ventilation: Moving air from one area to another.

XP: Explosion Proof

Fan Types

Air Circulators: Available in Pedestal, Wall, I-Beam, and Vertical Mounts. Available in Oscillating and Non-Oscillating units. Circulator fans are used to keep air moving within a plant, to keep people and processes cool.

Belt Drive Fans: Are quieter at lower CFM & RPM than a direct drive unit.

Direct Drive Fans: Offer more CFM at a higher RPM Quiet.

Exhaust Fans: Take hot stratified air out of plants. Available in Wall and Rooftop units.

Intake Fans: Mechanically replace air exhausted with fresh air. Available in Wall & Rooftop units and Louvers.

Picking a CIRCULATION Fan

Applications

Air Circulators: These fans offer focused air flow and can be found in a variety of areas within a plant environment. Typically seen above people, on assembly lines, in work stations, maintenance areas and near shipping departments, to circulate air and cool people. Models are also available for automotive applications, Hazardous Duty and for Stainless Steel/Wash-Down fans used in the food processing industry.

Mancoolers: These portable floor fans are low to the ground which is where the cool plant air is found. Our Mancooler fans capture this cool air, moving it down aisles, corridors and hallways. These fans can also be seen near plant bay doors to help bring large volumes of fresh outside air in, to keep people and processes cool.

Picking a VENTILATION Fan

Ventilation consists of **EXHAUST** and **INTAKE** fans to keep air moving from one area of a plant to another. When business adds more people, processes or additions to the plant, then the air dynamic of the facility changes and more heat is created as a result of the change. Proper ventilation is needed to remove (Exhaust) the heat.

Heavy-Duty Air Circulators - 115V

Applications

Exhaust Fans: These ventilation fans can be seen along the walls of a plant and on the ceiling. The application is determined by the size and type of facility. These fans are available in Wall or Roof mounted units, Direct or Belt drive, and mechanically take hot air out of plants.

Intake Fans/Louvers: Whenever air is removed (Exhaust) then air has to be replaced (Intake Air) in order to keep the air dynamic balanced. Intake Fans/Louvers are seen along the walls of plants and provide a source of fresh air to make up for the exhaust air. Intake Fans/Louvers are best placed across from exhaust air fans. These fans are available in Wall or Roof mounted units, Direct or Belt drive, and mechanically take hot air out of plants.

CAUTION: When ventilating an area that contains hazardous (explosive) fumes or dust, always specify a fan with explosion proof motor/spark resistant blade.

Airmaster also offers complete system accessories such as: Weather Hoods, Shutters, Wall Collars, Roof Curbs, Front/Rear Fan Guards, Bird Screens, Thermostats, Switches and Humidistats.

Q. How can I size my facility for a proper Ventilation Solution?

A. Determine the volume of air needed by using the Air Change Method!

This is calculated by taking the **LENGTH x WIDTH x HEIGHT** of the area divided by the frequency of air changes.

EXAMPLE: Warehouse

Size: 100'L x 80'W x 20'H = 160,000 CU.FT.

Estimate an air change every 2-10 minutes.

In this example, let's choose a change every 10 minutes. 60 minutes in an hour gives us 6 changes/hour.

160,000 cu.ft/10 minutes = 16,000 CFM Needed

Once you know the CFM needed, pick an Airmaster Exhaust fan and the mount location (Wall or Roof) along with the type of motors in either Belt (quieter) or Direct Drive Motor.

Air Change Application	Minutes / Change	Changes / Hour
Auditoriums & Halls	2 to 10	6 to 30
Bakeries	2 to 3	20 to 30
Barns	10 to 20	3 to 6
Boiler Rooms	2 to 10	6 to 30
Churches	5 to 10	6 to 12
Compressor / Engine Rooms	1 to 3	20 to 60
Dairies	2 to 5	12 to 30
Dry Cleaners / Laundry	1 to 5	12 to 60
Factories	2 to 5	12 to 30
Foundries	1 to 5	12 to 60
Garages	2 to 10	6 to 30
Generator Room	2 to 5	12 to 30
Gymnasiums	2 to 10	6 to 30
Hospitals / Kitchens	2 to 5	12 to 30
Laboratories	1 to 5	12 to 60
Offices	2 to 10	6 to 30
Packing Houses	2 to 5	12 to 30
Restaurant / Kitchens	1 to 3	20 to 60
Tool Rooms	2 to 5	12 to 30
Transformer Rooms	1 to 5	12 to 60
Warehouses	2 to 10	6 to 30

For additional help and information, contact Airmaster Fans Engineering Department.

Hazardous Location Fans & Motors

Understanding Hazardous Location Fans & Motors

Many areas do or may contain gas, vapor or dust in explosive quantities. These areas must be considered hazardous when selecting a fan. To exhaust these areas a fan with an explosion proof motor must be used, many explosions have been caused by exhausting a potentially explosive area with a fan and motor not designed for use in hazardous areas.

Locations Which May Contain Explosive Gas, Vapor or Dust in the Atmosphere; Oil Refineries; Painting Operations; Welding Shops; Chemical Plants; Grain Elevators; Coal Mines; Grain Mills; Battery Charging Areas; Chemical Storage; Paint Storage; Dry Cleaners; Laboratory Hoods; Feed Mills;

Flour Mills; Electroplating Operations

Most airborne dusts are flammable and potentially explosive, and should be treated as such. Locations containing any amounts of explosive material, no matter how slight, require the use of a fan with a motor rated for hazardous locations and spark resistant construction. Hazardous locations may include, but are not limited to the above list.

All Airmaster fans with explosion proof motors are rated for Class I, Group D, Class II, Groups F & G atmospheres. Some may be rated for Class I, Group D, Class II, Groups E, F & G, they will be listed in the catalog. An explosion proof motor is designed to withstand an explosion of a specific gas or vapor which may occur within it, and prevent the ignition of the gas or vapor which may be surrounding the motor casing. Always be sure that the motor classes and group ratings match the requirements of the hazardous location. Fans and air circulators with explosion proof motors must be hard wired using explosion proof components and in accordance with all local, state, and national codes. Equipment with explosion proof motors should never be supplied with a cord and plug. Plugging a piece of equipment into a wall outlet can cause a spark, which could lead to an explosion.

National Electrical Code - Explosive Atmosphere Classifications

Class I

Group A: Acetylene

Group B: Butadiene, ethylene oxide, hydrogen, propylene oxide, manufactured gasses containing more than 30% hydrogen by volume.

Group C: Acetaldehyde, cyclopropane, diethyl ether, and ethylene.

Group D: Acetone, acrylonitrile, ammonia, benzene, butane, ethanol, ethylene dichloride, gasoline, hexane, isoprene, methane (natural gas), methanol, naphtha, propane, styrene, toluene, vinyl acetate, vinyl chloride, xylene.

Class II

Group E: Aluminum, magnesium, and other metal dusts with similar characteristics

Group F: Carbon black, coke or coal dust

Group G: Flour, starch or grain dust

Class III

Easily ignitable fibers, such as rayon, cotton, sisal, hemp, cocoa fiber, oakum, excelsior and other fibers of similar nature.

What Classifies a Hazardous Environment?

The classification of a hazardous atmosphere requires considerable skill and judgment, especially the extent of the hazardous areas.

Class I, Division I: Those areas in which hazardous concentrations of flammable gasses, vapor or liquids exist, either continually or periodically during normal operating conditions. In these areas the National Electric Code requires the use of explosion proof motors at all times.

Class II, Division II: Those areas in which flammable gasses are handled, processed or used. In these locations the liquid or gas is normally confined in enclosed containers or systems, from which they can escape only in the event of accidental breakdown or abnormal operations. In these areas the National Electric Code requires only that the motors must not have sparking internal contacts (such as centrifugal switches). Normally, three phase TEFC motors are suitable for operation in these atmospheres.

Explosion proof motors are generally not available for Class I, Group A and Class I, Group B locations. When these conditions are encountered, it is usually necessary to isolate the motors from the hazardous location. Also, it is possible to substitute hydraulic or pneumatic motors in place of electric type. All Airmaster axial flow fans and air circulators with explosion proof motors have a cast aluminum propeller or a fabricated propeller with aluminum blades.

Note: All fans must be installed in accordance with all applicable national, state, and local electrical and mechanical codes. For further information, contact Airmaster Engineering.



Pedestal, Wall, I-Beam & Vertical Mount Fans

Non-Oscillating



Adjustable Pedestal



Wall Mount



Vertical Mount



I-Beam Mount

5 Year Warranty - Ultra Quiet

Features

- 1/5 HP (18" & 20") and 1/3 HP (24" & 30"), 1 Phase, Totally Enclosed, Ball Bearing Motor
- Energy Efficient - Lowest Watts Per CFM, Ultra Quiet Die Cast Aluminum Airfoil Propeller
- Excellent for Churches, Schools, Industrial and Commercial Applications
- 3 Speed Motor, 26" Base (18" & 20"); 32" Base (24" & 30")
- Patented Modular Motor End Dome for Easy Maintenance
- Includes Supply Cord and Plug
- Guards meet OSHA Standards
- All Stocked



Type	Tilt Up or Down (In Degrees)			
	Oscillating		Non-Oscillating	
	Up	Down	Up	Down
Pedestal	20°	10°	20°	10°
Wall	20°	10°	20°	15°
I-Beam	20°	20°	20°	20°
Vertical	N/A	N/A	10°	20°

0° = Horizontal Plane

Unit Packs, Models

Motor, Specified Mounting, Propeller & Guard Shipped in a Single Container

EDP No.	Catalog No.	Prop Dia.	Fan Style	HP	CFM			RPM			Motor No.	F.L. Amps	Ship Weight
					High	Med	Low	High	Med	Low			
20892	UP18LF16-S	18"	Pedestal	1/5	2600	2113	1805	1125	915	780	642J	1.41	66
20899	UP18LW16-S8	18"	Wall Mount	1/5	2600	2113	1805	1125	915	780	642J	1.41	49
20906	UP18LI16-S	18"	I-Beam Mount	1/5	2600	2113	1805	1125	915	780	642J	1.41	48
20911	UP18LS16-S	18"	Vertical Mount	1/5	2600	2113	1805	1125	915	780	642J	1.41	44
20893	UP20LF16-S	20"	Pedestal	1/5	3100	2060	1657	1120	745	600	642J	1.65	66
20902	UP20LW16-S8	20"	Wall Mount	1/5	3100	2060	1657	1120	745	600	642J	1.65	48
20907	UP20LW16-S	20"	I-Beam Mount	1/5	3100	2060	1657	1120	745	600	642J	1.65	51
20912	UP20LS16-S	20"	Vertical Mount	1/5	3100	2060	1657	1120	745	600	642J	1.65	43
20895	UP24LF16-S	24"	Pedestal	1/3	5588	4556	3325	1110	900	700	642-AC 3SP	2.5	84
37144	UP24LW16-S8	24"	Wall Mount	1/3	5588	4556	3325	1110	900	700	642-AC 3SP	2.5	51
37139	UP24LI16-S	24"	I-Beam Mount	1/3	5588	4556	3325	1110	900	700	642-AC 3SP	2.5	54
37137	UP24LW16-S	24"	Vertical Mount	1/3	5588	4556	3325	1110	900	700	642-AC 3SP	2.5	47
20900	UP30LF16-S	30"	Pedestal	1/3	8402	6259	4463	1098	880	660	642-AC 3SP	2.7	90
37145	UP30LW16-S8	30"	Wall Mount	1/3	8402	6259	4463	1098	880	660	642-AC 3SP	2.7	60
37140	UP30LI16-S	30"	I-Beam Mount	1/3	8402	6259	4463	1098	880	660	642-AC 3SP	2.7	61
37138	UP30LS16-S	30"	Vertical Mount	1/3	8402	6259	4463	1098	880	660	642-AC 3SP	2.7	51
20115	M24GBA	24"	Head Assembly	1/3									41
20915	M30GBA	30"	Head Assembly	1/3									48

Performance ratings are conducted in accordance with AMCA Standard 230-99.

Vertical Mount: A safety cable kit is included in all overhead mounted air circulators to prevent the fan from falling if accidentally struck or mounting fails. Single safety cable kits consist of 12 feet of 1/16" diameter cable, 2 cable clamps and instructions.

Mountings

For Fan Head Component Packs and Assembled Fan Heads Motor, Propeller & Guard Assembled

EDP No.	Catalog No.	Fan Style	Description	Ship Weight
21152	8CP2B	Pedestal	5'-8' Pedestal for use with A786B	13
21165	A-786B-1	Floor Base - 26"	For use with 8CP-2B pedestal on 18" and 20" fans	18
21166	A-786B-2	Floor Base - 32"	For use with 8CP-2B pedestal on 24" and 30" fans	32
21187	878W	Wall Bracket	For HD air circulator wall mountings-Includes Safety Cable Kit	9
21191	700-U	I-Beam Bracket	For HD air circulator I-Beam mountings-Includes Safety Cable Kit	13
21203	CK-2	Vertical Bracket	For HD Vertical Mount (Non-Osc. only) Extension Pipe Not Included - Includes Safety Cable Kit	5

Note: See page 10 for optional accessories and component parts for fan head assemblies



Warning: Cancer and Reproductive Harm www.P65Warnings.ca.gov
This warning is applicable to all products on this page, see page i2 for more information

Heavy-Duty Air Circulators - 115V

Pedestal, Wall, & I-Beam Mount Fans

Oscillating

Unit Packs, Models - 967 Motor

5 Year Warranty - Ultra Quiet

Features

- 115V, 1/5 HP (18" & 20") and 1/3 HP (24" & 30"), 1 Phase, 3 Speed, Totally Enclosed, Ball Bearing Motor
- Excellent for Churches, Schools, Industrial and Commercial Applications
- Wall and I-Beam Mounts Able To Be Installed By One Individual
- Patented Modular Motor End Dome for Easy Maintenance
- Ultra Quiet Die Cast Aluminum Airfoil Propeller
- 26" Base (18" & 20"); 32" Base (24" & 30")
- Energy Efficient - Lowest Watts Per CFM
- Includes Supply Cord and Plug
- Guards meet OSHA Standards
- 3 Speed Motor



Adjustable Pedestal



Wall Mount



I-Beam Mount

Motor Tilt Adjustments

Type	Tilt Up or Down (In Degrees)			
	Oscillating		Non-Oscillating	
	Up	Down	Up	Down
Pedestal	20°	10°	20°	10°
Wall	20°	10°	20°	15°
I-Beam	20°	20°	20°	20°
Vertical	N/A	N/A	N/A	N/A

0° = Horizontal Plane

Motor, Specified Mounting, Propeller & Guard Shipped in a Single Carton

EDP No.	Catalog No.	Prop Dia.	Fan Style	HP	CFM			RPM			Motor No.	F.L. Amps	Ship Weight
					High	Med	Low	High	Med	Low			
20894	UP18BN-S	18"	Pedestal	1/5	2600	2113	1805	1125	915	780	967J	1.41	70
20903	UP18WN-S8	18"	Wall Mount	1/5	2600	2113	1805	1125	915	780	967J	1.41	53
20908	UP18IN-S	18"	I-Beam Mount	1/5	2600	2113	1805	1125	915	780	967J	1.41	54
20898	UP20BN-S	20"	Pedestal	1/5	3100	2060	1657	1120	745	600	967J	1.65	71
20904	UP20WN-S8	20"	Wall Mount	1/5	3100	2060	1657	1120	745	600	967J	1.65	53
20909	UP20IN-S	20"	I-Beam Mount	1/5	3100	2060	1657	1120	745	600	967J	1.65	55
20885	UP24BN-S	24"	Pedestal	1/3	5387	4356	3125	1070	850	628	967-3 SP	2.5	87
37129	UP24WN-S8	24"	Wall Mount	1/3	5387	4356	3125	1070	850	628	967-3 SP	2.5	55
37147	UP24IN-S	24"	I-Beam Mount	1/3	5387	4356	3125	1070	850	628	967-3 SP	2.5	59
20890	UP30BN-S	30"	Pedestal	1/3	7996	5859	4063	1045	789	561	967-3 SP	2.9	94
37135	UP30WN-S8	30"	Wall Mount	1/3	7996	5859	4063	1045	789	561	967-3 SP	2.9	61
37148	UP30IN-S	30"	I-Beam Mount	1/3	7996	5859	4063	1045	789	561	967-3 SP	2.9	64

Performance ratings are conducted in accordance with AMCA Standard 230-99.

Notes: Oscillating motor not to be used upside down. See page 10 for optional accessories. A safety cable kit is included in all overhead mounted air circulators to prevent the fan from falling if accidentally struck or mounting fails. Single safety cable kits consist of 12 feet of 1/16" diameter cable, 2 cable clamps and instructions.



Pedestal, Wall, I-Beam & Vertical Mount Fans

Non-Oscillating

5 Year Warranty - Ultra Quiet

Features

- 230 / 460V, 1/4 HP, 3 Phase, 1 Speed, Totally Enclosed Ball Bearing Motor
- All 24" Kitted Components consist of: 21025 (1069 B Motor); 21070 (AC-24G Guard Assembly; 21095 (24BA-1A Prop); plus mounting listed below.
- All 30" Kitted Components consist of: 21025 (1069 B Motor); 21080 (AC-30G Guard Assembly; 21105 (30BA-1A Prop); plus mounting listed below.
- Guards meet OSHA Standards



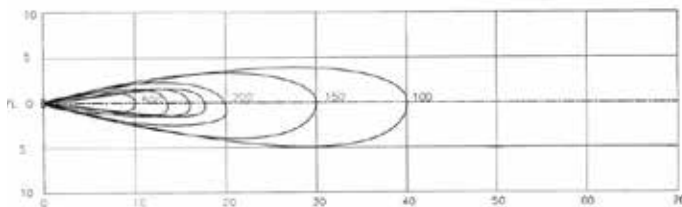
EDP No.	Catalog No.	Prop Dia.	Fan Style	HP	CFM	RPM	Motor No.	F.L. Amps	Ship Weight
20600	24LF36	24"	Pedestal Fan: includes 21152 (Pedestal) , 21166 (Base)	1/4	5739	1140	1069	1.2 / 0.6	70
20620	24LW368	24"	Wall Mount Fan: includes 21166 (Wall Brkt. with Safety Cable)	1/4	5739	1140	1069	1.2 / 0.6	49
20640	24LI36	24"	I-Beam Mount Fan: includes 21191 (I-Beam Brkt. with Safety Cable)	1/4	5739	1140	1069	1.2 / 0.6	49
20630	24LS36	24"	Vertical Mount Fan: includes 21203 (Vertical Kit with Safety Cable)	1/4	5739	1140	1069	1.2 / 0.6	39
20650	30LF36	30"	Pedestal Fan: includes 21152 (Pedestal) , 21166 (Base)	1/4	8723	1140	1069	1.2 / 0.6	77
20670	30LW368	30"	Wall Mount Fan: includes 21187 (Wall Brkt. with Safety Cable)	1/4	8723	1140	1069	1.2 / 0.6	56
20690	30LI36	30"	I-Beam Mount Fan: includes 21191 (I-Beam Brkt. with Safety Cable)	1/4	8723	1140	1069	1.2 / 0.6	56
20680	30LS36	30"	Vertical Mount Fan: includes 21203 (Vertical Kit with Safety Cable)	1/4	8723	1140	1069	1.2 / 0.6	46

Performance ratings are conducted in accordance with AMCA Standard 230-99

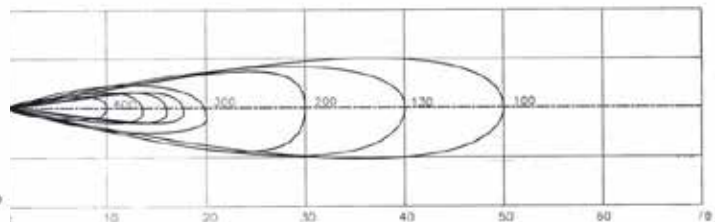
Fan Velocity Profiles

Represents all 18" and 20" 1/5 HP Heavy Duty Air Circulators

18" Horizontal Velocity Profile (Ft/Min)

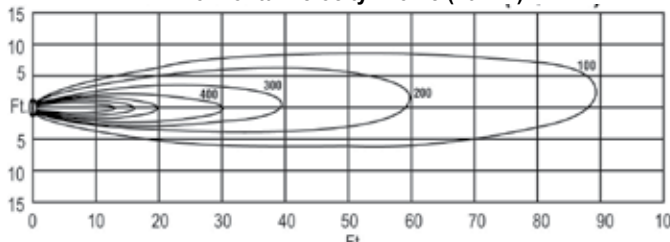


20" Horizontal Velocity Profile (Ft/Min)

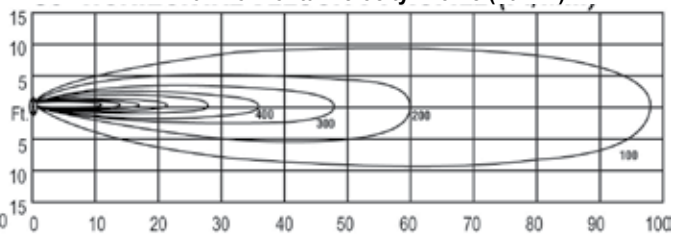


Represents all 24" and 30" 1/3 HP Heavy Duty Air Circulators

24" Horizontal Velocity Profile (Ft/Min)



30" Horizontal Velocity Profile (Ft/Min)





Heavy-Duty Hazardous Location Air Circulators

Pedestal, Wall, I-Beam & Vertical Mount Fans

Non-Oscillating

115/230V or 230/460V Spark Resistant

Unit Packs 115/230V Spark Resistant Models



1 Year Warranty - Ultra Quiet

Features

- 115/230V, 1/4 HP, 1 Phase & 230/460V, 1/4 HP, 3 Phase, Single Speed, Ball Bearing Motors
- A safety cable kit is included in all overhead mounted air circulators to prevent the fan from falling if accidentally struck or mounting fails. Single safety cable kits consist of 12 feet of 1/16" diameter cable, 2 cable clamps and instructions
- OSHA Approved Safety Guards
- Die Cast Aluminum Propeller



FOR USE IN HAZARDOUS LOCATION SUCH AS:

Oil Refineries
Welding Shops
Paint Operations / Storage and Other Locations that may contain Explosive Gas, Vapor or Dust in the Atmosphere

115/230V, 1/4 HP, 1 Phase Models

Motor, Specified Mounting, Propeller & Guard shipped in a single carton

EDP No.	Catalog No.	Prop Dia.	Fan Style	CFM	RPM	Motor No.	F.L. Amps	Ship Weight
20301	UP24LF16X	24"	Pedestal Fan	5739	1140	1169	6.9 / 3.5	93
20321	UP24LW16X8	24"	Wall Mount	5739	1140	1169	6.9 / 3.5	61
20341	UP24LI16X	24"	I-Beam Mount	5739	1140	1169	6.9 / 3.5	65
20331	UP24LS16X	24"	Vertical Mount	5739	1140	1169	6.9 / 3.5	56
20351	UP30LF16X	30"	Pedestal Fan	8723	1140	1169	6.9 / 3.5	98
20371	UP30LW16X8	30"	Wall Mount	8723	1140	1169	6.9 / 3.5	67
20391	UP30LI16X	30"	I-Beam Mount	8723	1140	1169	6.9 / 3.5	70
20381	UP30LS16X	30"	Vertical Mount	8723	1140	1169	6.9 / 3.5	61

Performance Ratings are conducted in accordance with AMCA Standard 230-99. Explosion Proof Motor for Class 1, Group D & Class II, Groups E, F & G. See page 3 for further Explosion Proof Motor information.

230/460V, 1/4 HP, 3 Phase, Spark Resistant Models

Motor, Specified Mounting, Propeller & Guard shipped in a single carton

EDP No.	Catalog No.	Prop Dia.	Fan Style	CFM	RPM	Motor No.	F.L. Amps	Ship Weight
20450	24LF36X	24"	Pedestal Fan	5739	1140	1269	1.1 / 0.55	100
20470	24LW36X8	24"	Wall Mount Fan	5739	1140	1269	1.1 / 0.55	79
20490	24LI36X	24"	I-Beam Mount Fan	5739	1140	1269	1.1 / 0.55	79
20480	24LS36X	24"	Vertical Mount Fan	5739	1140	1269	1.1 / 0.55	69
20500	30LF36X	30"	Pedestal Fan	8723	1140	1269	1.1 / 0.55	107
20520	30LW36X8	30"	Wall Mount Fan	8723	1140	1269	1.1 / 0.55	86
20540	30LI36X	30"	I-Beam Mount Fan	8723	1140	1269	1.1 / 0.55	86
20530	30LS36X	30"	Vertical Mount Fan	8723	1140	1269	1.1 / 0.55	76

NOTES: X = Explosion Proof. **CORD AND PLUG NOT PROVIDED.** Must be hard wired. Wiring must conform to all national, state and local codes. Performance Ratings are conducted in accordance with AMCA Standard 230-99. Explosion Proof Motor for Class 1, Group D & Class II, Groups E, F & G. See page 3 for further Explosion Proof Motor information.



Pedestal, Wall, I-Beam & Vertical Mount Fans

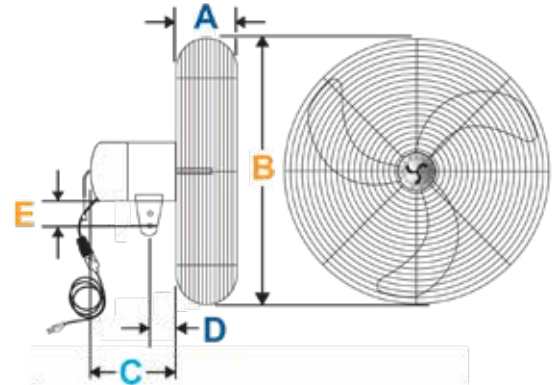
Non-Oscillating



5 Year Warranty - High Ambient - Heavy Duty

Features

- 1/3 HP, 2 Speed, 1 Phase, Totally Enclosed Ball Bearing Motor
- Available in Pedestal, Wall, I-Beam, and Vertical Mounts
- CFM High: 8,402 Low: 6,259
- RPM High: 1,100 Low: 800
- Includes cord and plug
- 150° Ambient



Dimensions (in.)

Motor Model No.	A	B	C	D	E
642-HA	5.25	33.39	10.5	2.5	5.25

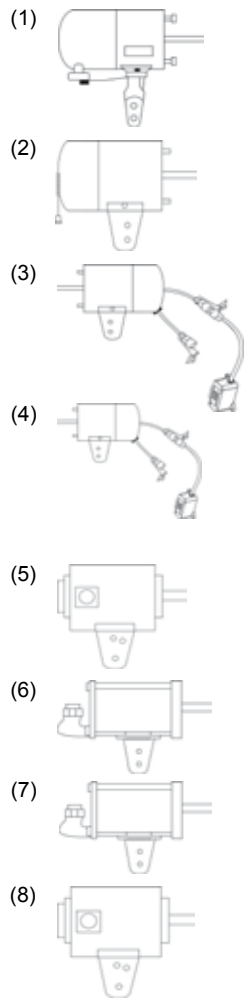
EDP No.	Catalog No.	Prop Dia.	Fan Style	HP	Ship Weight
20720	UP30LF16S-HA	30"	Pedestal	1/3	98
20721	UP30LW6-S8-HA	30"	Wall Mount	1/3	67
20722	UP30LI16-S-HA	30"	I-Beam Mount	1/3	70
20723	UP30LS16-S-HA	30"	Vertical Mount	1/3	61

Motor

EDP No.	Catalog No.	Description	HP	Ship Weight
78079	MTR-642-HA	High Ambient Motor	1/3	26

Component Parts / Accessories for Assembled Fan Heads

Motors



EDP No.	Catalog No.	F.L. Amps	Ship Wt.	Description
21021	967J	1.65	24	Single-phase, 3 Speed, 115 V, 1/5 HP, ball bearing, oscillating, 5/8" shaft (use only on standard 18" and 20" oscillating fans). Use BA-1A Propeller NOTE: Oscillating Motor NOT to be used UPSIDE-DOWN position (1)
21007	967-3 SP	2.7	23	Single-phase, 3 Speed, 115 V, 1/3 HP, ball bearing, oscillating, 5/8" shaft *use only on standard 24" and 30" oscillating fans). Use BA-1A Propeller NOTE: Oscillating Motor NOT to be used UPSIDE-DOWN position (1)
21777	Gear Box		18	Assembly 967J and 967-3SP
03915	End Dome			Assembly 967J and 967-3SP (with capacitor)
21022	642J	1.65	19	Single-phase, 3 Speed, 115 volt, 1/5 HP, ball bearing, non-oscillating, 5/8" shaft (use only on standard 18" and 20" non-oscillating fans). Use BA-1A Propeller (2)
21017	642-AC 3 SP	2.8	19	Single-phase, 3 Speed, 115 volt, 1/3 HP, ball bearing, non-oscillating, 5/8" shaft (use only on standard 24" and 30" non-oscillating fans). Use BA-1A Propeller (2)
06004	End Dome		2	Assembly for 642-AC-3SP (with capacitor)
21090	642-AC2SDC		19	Single phase, 2 Speed, 115 volt, 1/3 HP, ball bearing, non-oscillating motor with 2-speed drop cord switch. Use with BA-1A propeller (3)
12013	2-SPDCS-HD		2	Modular end dome with drop cord and 2 speed switch. For 642 Motor Only (4)
21025	1069 B	1.2 / 0.6	16	Three-phase, 1 Speed, 208 / 230 / 260V, 1/4 HP, ball bearing, non-oscillating fans only. Use BA-1A Propeller (5)
21035	1169 E	6.9 / 3.5	48	Single-phase, single-speed, 115/230V, 1/4 HP, ball bearing for Class I Group D and Class II, Groups E, F & G. (Use only on explosion-proof, non-oscillating fans with BA-1A Propeller) (6)
21040	1269	1.1 / 0.55	33	Three-speed, single-speed, 230/460V, 1/4 HP, ball bearing (use only on non-oscillating, explosion-proof fans) Use BA-1A Propeller (7)
21050	1369	4.5 / 2.0	36	1 HP, three-phase, single-speed 230/460 volt, ball bearing, totally enclosed (use only on high-velocity spot coolers). Use HH-1 Propeller (8)

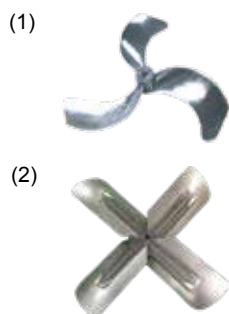
NOTES: Explosion Proof and 3 Phase air circulator motors are not supplied with switches or power cords. Must be hard wired. See page 3 for further Explosion Proof Motor information.

Guards



EDP No.	Catalog No.	Ship Wt.	Description
71000	C-1820G	11	18" / 20" guard. Nickel chrome plated. (use on all 18" and 20" oscillating & non-oscillating fans)
21070	AC24-G	14	24" guard. Nickel chrome plated (use on all 24" oscillating & non-oscillating fans)
21080	AC30-G	20	30" guard (use on all 30" oscillating & non-oscillating fans)

Propellers



EDP No.	Catalog No.	Ship Wt.	Description
21101	18BA-1	4	18" Propeller - 5/8" bore. Cast Aluminum (1)
21102	20BA-1	5	20" Propeller - 5/8" bore. Cast Aluminum (1)
21095	24BA-1A	5	24" Propeller - 5/8" bore. Cast Aluminum (1)
21105	30BA-1A	6	30" Propeller - 5/8" bore. Cast Aluminum (1)
21120	24HH-1	8	24" Propeller, 5/8" bore (use only on 24" high velocity spot coolers) Galvanized (2)
21130	30HH-1	9	30" Propeller, 5/8" bore (use only on 30" high velocity spot coolers) Galvanized (2)

Heavy-Duty Air Circulators

Component Parts / Accessories for Assembled Fan Heads



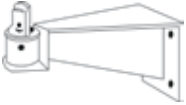
Adjustable Pedestal

EDP No.	Catalog No.	Ship Wt.	Description
21152	8CP2B	13	5' to 8' pedestal (fits all Heavy Duty fans)

Floor Base



EDP No.	Catalog No.	Ship Wt.	Description
21165	A786B-1	17	For use with 18" & 20" oscillating & non-oscillating fans with 21152 pedestal
21166	A786B-2	34	For use with 24" & 30" oscillating & non-oscillating fans with 21152 pedestal



Wall Bracket

Brackets



I-Beam Bracket

EDP No.	Catalog No.	Bracket Type	Ship Wt.	Description
21187	878W	Wall	10	15° Tilt Built In. Use for HD air circulator wall mountings, Includes Safety Cable Kit
21191	700-U	I-Beam	14	Use for HD air circulator I-Beam mountings, Includes Safety Cable Kit
21203	CK-2	Vertical	5	Use for HD air circulator vertical mount (non-oscillating only) Includes Safety Cable Kit. Extension Cord and Extension Pole Not Included.



Vertical Bracket

Accessories



Safety Kit

EDP No.	Catalog No.	Ship Wt.	Description
21204	Safety Kit	1	12' of 1/16" diameter cable, two clamp and instructions. This safety cable kit is available for retrofit applications.
12002	DJ-EC-6	1	6' extension cord - for use with 642-AC2SDP Drop Cord Motor - Yellow
12008	DJ-EC-9	2	9' extension cord - for use with 642-AC2SDP Drop Cord Motor - Yellow
12009	DJ-EC-12	2	12' extension cord - for use with 642-AC2SDP Drop Cord Motor - Yellow
70601	AMFW30K	7	Snap on wheel kit with set screw lock for use on all floor model air circulators except I-2030 base. No tools required
01633	Cord	2	15' Supply Cord Replacement
01723	Switch	2	2 Speed / 3 Speed Pull Chain Switch



Extension Cord



Wheel Kit





Heavy-Duty Industrial Spot Coolers - 208/230/460V

Pedestal, Wall, I-Beam, Vertical Mount Fans

Non-Oscillating

1 Year Warranty - Ultra High Velocity Air Flow



Features

- 208/230/460V, 1 HP, 3 Phase, Totally Enclosed, Ball Bearing Motor
- Cord & Plug Not Provided - Must be Hard Wired. Wiring Must Conform to all national, state and local codes
- Heavy Gauge Galvanized Steel Propeller for Severe Conditions
- Usable at both 50 or 60 Hz
- Single Speed



Type	Tilt (In Degrees) Non-Oscillating	
	Up	Down
Floor	20°	10°
Wall	20°	15°
I-Beam	20°	20°
Vertical	8°	20°

0° = Horizontal Plane

Unit Pack Models

Motor, Specified Mounting, Propeller & Guard Shipped in Single Carton

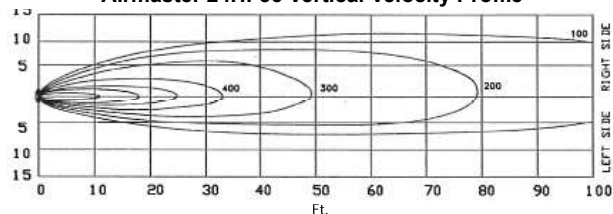
EDP No.	Catalog No.	Prop Dia.	Fan Style	CFM	RPM	Motor No.	F.L. Amps	Ship Wt.
20750	24HF36	24"	Pedestal Fan	7700	1140	1369	4.0 / 2.0	89
20770	24HW36	24"	Wall Mount Fan	7700	1140	1369	4.0 / 2.0	68
20790	24HI36	24"	I-Beam Mount Fan	7700	1140	1369	4.0 / 2.0	68
20780	24HS36	24"	Vertical Mount Fan	7700	1140	1369	4.0 / 2.0	58
20840	30HF36	30"	Pedestal Fan	12400	1125	1369	4.0 / 2.0	105
20860	30HW36	30"	Wall Mount Fan	12400	1125	1369	4.0 / 2.0	74
20880	30HI36	30"	I-Beam Mount Fan	12400	1125	1369	4.0 / 2.0	79
20870	30HS36	30"	Vertical Mount Fan	12400	1125	1369	4.0 / 2.0	70

Performance Ratings are conducted in accordance with AMCA Standard 230-99. **Vertical Mount:** A safety cable kit is included in all overhead mounted air circulators to prevent the fan from falling if accidentally struck or mounting fails. Single safety cable kits consist of 12 feet of 1/16" diameter cable, 2 cable clamps and instructions.

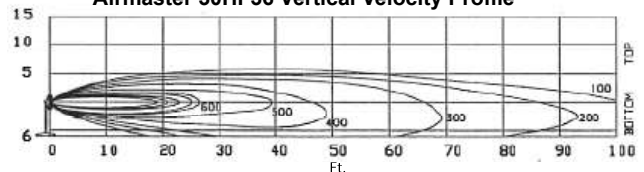
Ultra High Velocity Air Flow

Velocity is shown in FPM (Feet Per Minute), divide FPM by 88 for MPH (Miles Per Hour)

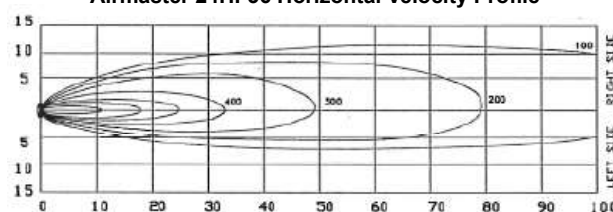
Airmaster 24HF36 Vertical Velocity Profile



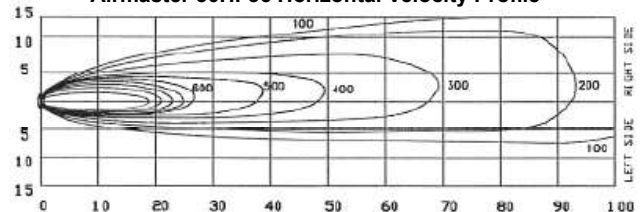
Airmaster 30HF36 Vertical Velocity Profile



Airmaster 24HF36 Horizontal Velocity Profile



Airmaster 30HF36 Horizontal Velocity Profile



Commercial Air Circulators - 115V

Pedestal & Wall Mount Unit Packs

Non-Oscillating



Adjustable Floor Model

Wall Mount



2 Year Warranty

Features

- 115V, 1/4 HP, 1 Phase, 3 Speed, TEAO Ball Bearing Motor
- A safety cable kit is included in all overhead mounted air circulators to prevent the fan from falling if accidentally struck or mounting fails. Single safety cable kits consist of 12 feet of 1/16" diameter cable, 2 cable clamps and instructions.
- Unit Pack ships with Motor, Specified Style Mounting, Propeller & Guard In One Carton
- Pedestal Models Adjust 43" - 63" ; 26" Base Diameter
- Wall Mount Models Include Safety Cable
- 15' Supply Cord and Three Prong Plug Included
- Models are UPS Shippable in One Carton
- Guard Meets OSHA Standards
- Galvanized Steel Propeller
- All Stocked



Type	Tilt (In Degrees) Non-Oscillating	
	Up	Down
Floor	30°	15°
Wall	30°	50°

EDP No.	Catalog No.	Prop Dia.	Fan Style	HP	CFM			RPM			F.L. Amps	Ship Wt.
					High	Med	Low	High	Med	Low		
71584	CA24APE	24"	Adjustable Floor	1/4	4400	3460	2460	1100	800	600	3.5	82
71572	CA24WC	24"	Wall Mount	1/4								42
71586	CA30APE	30"	Adjustable Floor	1/4	6100	4400	2700	1100	800	600	3.5	87
71573	CA30WC	30"	Wall Mount	1/4								49
71760	UPI-24PA2A	24"	Adjustable Floor	1/3	5520	4020	2820	1080	700	540	3.0	81
71725	I-24W2A	24"	Wall Mount	1/3								44
71526	UPI-30PA2A	30"	Adjustable Floor	1/3	7185	5300	3415	1080	700	540	3.0	90
71726	I-30W2A	30"	Wall Mount	1/3								49

Non-Oscillating Assembled Fan Heads



Features

- Motor, Guard, and Propeller are Pre-Assembled
- 30" Head Assembly is UPS OverSize 2
- Vertical Mount Option Available with Head Assemblies

EDP No.	Catalog No.	Prop Dia.	HP	Ship Wt.
37113	I-18TEHA	18"	1/15	24
37114	I-20TEHA	20"	1/15	27
71590	CA24	24"	1/4	39
71591	CA30	30"	1/4	48
37209	I-24	24"	1/3	37
71591	I-30	30"	1/3	48



Commercial Air Circulators - 115V

Pedestal & Wall Mount Unit Packs

Oscillating



Adjustable Floor Model

Wall Mount



2 Year Warranty

Features

- 115V, 1/3 HP, 1 Phase, 3 Speed, TEAO Ball Bearing Motor
- A safety cable kit is included in all overhead mounted air circulators to prevent the fan from falling if accidentally struck or mounting fails. Single safety cable kits consist of 12' feet of 1/16" diameter cable, 2 cable clamps and instructions.
- Unit Pack ships with Motor, Specified Style Mounting, Propeller & Guard In One Carton
- Pedestal Models Adjust 43" - 63" ; 26" Base Diameter
- Wall Mount Models Include Safety Cable
- 15' Supply Cord and Three Prong Plug Included
- Models are UPS Shippable in One Carton
- Guard Meets OSHA Standards
- Galvanized Steel Propeller
- All Stocked



Type	Tilt (In Degrees) Non-Oscillating	
	Up	Down
Floor	30°	20°
Wall	0°	20°

EDP No.	Catalog No.	Prop Dia.	Fan Style	HP	CFM			RPM			F.L. Amps	Ship Wt.
					High	Med	Low	High	Med	Low		
71567	I-24-OAP	24"	Adjustable Floor	1/3	5548	4699	4062	1100	958	856	3.2	86
71565	I-24-OIW	24"	Wall Mount	1/3								57
71568	I-30-OAP	30"	Adjustable Floor	1/3	7794	5943	5143	1091	871	759	3.2	95
71566	I-30-OIW	30"	Wall Mount	1/3								61

Oscillating Assembled Fan Heads



Features

- Oscillating Fan Heads are not to be used in Upside Down Position
- Motor, Guard, and Propeller are Pre-Assembled
- 30" Head Assembly is UPS OverSize 2

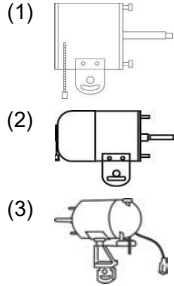
EDP No.	Catalog No.	Prop Dia.	HP	Ship Wt.
71610	24-IAC-MGBO	24"	1/3	46
37114	30-IAC-MGBO	30"	1/3	56



Commercial Air Circulators

Component Parts / Accessories

Motors

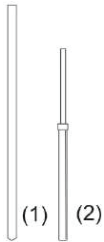


EDP No.	Catalog No.	Ship Wt.	Description
70013	I-1820TEM	10	115V, 1/15HP, TEAO, ball bearing, 1/2" Shaft dia, 2 speed switch, 10' cord and plug
37430	O-3B	23	Commercial Oscillating motor, 1/4 HP, 1 Phase, 3 Speed, 115V, 2.8 Amps, TEAO ball bearing, 5/8" diameter shaft. NOTE: Oscillating motor not to be used in UPSIDE-DOWN position.
78018	C-1A	19	Commercial Non-Oscillating motor, 1/4 HP, 3.5 Amp, 1 Phase, 3 Speed, TEAO, ball bearing 5/8" diameter shaft, 15' power cord.
78019	I-3A	22	115V, 1/3HP, Single Phase, TEAO ball bearing, PSC type, 5/8" shaft dia, 3 speed switch, 15' cord & plug

Capacitors

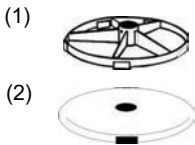
EDP No.	Catalog No.	Ship Wt.	Description
01683	Capacitor	1	Capacitor - 8 MFD (for 78018 motors)
01430	Capacitor	1	Capacitor - 20 MFD (for 37430 motors)

Pedestals



EDP No.	Catalog No.	Ship Wt.	Description
73103	C-2030NP	7	5' high floor model. Top section provides 33 1/2" counter model. Use only with I-2030B Base. (1)
73101	I-2030AP	12	5' to 8' adjustable floor model. (2)

Bases



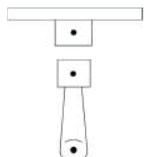
EDP No.	Catalog No.	Ship Wt.	Description
21153	I-2030B	24	Open base. (1)
21165	A-786B-1	17	Solid base, 26" diameter. (2)
21166	A786B-2	34	Solid base, 32" diameter. (2)

Wall Mount Bracket



EDP No.	Catalog No.	Ship Wt.	Description
37772	IAC-WB	7	Recommended for use with oscillating and non-oscillating motors. Includes Safety Cable Kit.

Vertical Mount Bracket



EDP No.	Catalog No.	Ship Wt.	Description
11456	DJ-CM	7	Vertical mount for use with industrial 20", 24", and 30" non-oscillating fans. Safety Cable Kit Included NOT FOR USE WITH OSCILLATING MOTORS



Component Parts / Accessories

Suspension Mount Bracket



EDP No.	Catalog No.	Ship Wt.	Description
75003	C-2030S	3	Use with commercial & industrial non-oscillating air circulators. Includes Safety Cable Kit.

I-Beam Mount Bracket



EDP No.	Catalog No.	Ship Wt.	Description
37784	IAC-BM-1	13	For use with I-Beam mounting. Includes Safety Cable Kit. NOT FOR USE WITH OSCILLATING MOTORS

Safety Cable



EDP No.	Catalog No.	Ship Wt.	Description
21204	Safety Kit	3	12' of 1/16" diameter cable, two (2) cable clamps and instructions.

Accessories



EDP No.	Catalog No.	Ship Wt.	Description
70601	AMFW30K	5	Snap-on wheel kit with set screw lock for 18" to 30" pedestal fans, except I-2030B.
01723	Switch	2	2 Speed / 3 Speed Pull Chain Switch

Guards



EDP No.	Catalog No.	Ship Wt.	Description
21070	AC24-G	14	24" guard.
21080	AC30-G	20	30" guard.

Propellers



EDP No.	Catalog No.	Ship Wt.	Description
72458	C-24B2	5	24" Propeller with 5/8" bore, includes bushing to adapt propeller to fit motors with 1/2" shaft
73058	C-30B	7	30" Propeller with 5/8" bore, includes bushing to adapt propeller to fit motors with 1/2" shaft

Commercial Pivot Stands & Work Stations

Pivot Stands & Work Stations



**Work Station
Yoke Mount**



**Low Stand
Pivot Fan**

1 Year Warranty

Features

- 115V, 1 Phase, 3 Speed, Open Drip Proof, Ball Bearing Motor
- Pivot Fans have Four Position Easy Reach Switch with 10' Three Conductor Cord and Plug
- Work Station Yoke Mount Attaches to any Surface with 1 Bolt or Lag Screw
- Meets OSHA Regulations
- Yoke Mount Models Adjust 360°
- Available 12", 18", and 20" Propeller Sizes
- Yoke Mount Fans have Pull Chain Switch
- Aluminum Propellers



EDP No.	Catalog No.	Prop Dia.	Fan Style	HP	CFM			RPM			F.L. Amps	Ship Wt.
					High	Med	Low	High	Med	Low		
78973	I-12LS	12"	Low Stand Pivot Fan	1/16								10
78971	I-12YM	12"	Work Station Yoke Mount	1/16	1448	1165	953	1500	1350	1180	0.5	11
78974	I-18LS	18"	Low Stand Pivot Fan	1/8								15
78972	I-18YM	18"	Work Station Yoke Mount	1/8								17
78975	I-20LS	20"	Low Stand Pivot Fan	1/5	3390	2755	2295	1600	1350	1180	1.9	17
78970	I-20YM	20"	Work Station Yoke Mount	1/5								19

* = 4" diameter wheels

Totally Enclosed Motor High Velocity Low Stand Fan



1 Year Warranty

Features

- 115V, 1 Phase, 3 Speed, Totally Enclosed, Ball Bearing Motor
- Pull Chain Switch with 10' Three Conductor Cord and Plug
- Totally Enclosed Motor Both Mounts in Same Box
- Available in 12" & 18" Propeller Size
- Chrome Yoke Mount Included
- Meets OSHA Regulations
- Aluminum Propellers
- Adjusts 360°

EDP No.	Catalog No.	Prop Dia.	Fan Style	HP	CFM			RPM			F.L. Amps	Ship Wt.
					High	Med	Low	High	Med	Low		
78985	I-12TELS	12"	Low Stand Pivot Fan	1/16	1855	1550	1300	1450	1250	1050	0.35	10
78984	I-18TELS	18"	Low Stand Pivot Fan	1/8	4550	3824	3346	1600	1350	1180	1.65	20



Pedestal & Wall / Vertical Mounts

Non-Oscillating



1 Year Warranty

Features

- 120V, 1 Phase, 2 Speed, 1/4 HP, Open Ventilated, Ball Bearing Motor
- Permanently lubricated permanent split capacitor
- Pull Chain, SJT type 3 conductor, 9½' long cord
- Pedestal adjusts center of fan from 44" to 62"
- Epoxy coated steel guard with retaining clips
- Wall / Vertical mount includes safety cable
- Meets OSHA Standards
- Aluminum blades



EDP No.	Catalog No.	Prop Dia.	Fan Style	CFM		RPM		F.L. Amps	Ship Wt.
				High	Low	High	Low		
71531	LC30AP	30"	Pedestal Mount	6000	5500	1100	800	2.1	62
71533	LC30WC	30"	Wall / Vertical Mount						37

Because these circulators do not have totally enclosed motors, they should be used in clean and dry commercial applications, such as schools, offices or warehouses.

Belt Drive Portable Mancooler®



1 Year Warranty

Features

- 115V, 1 HP, 1 Phase, 2 Speed, 630 Watts, ODP, Ball Bearing Motor
- Epoxy Coated Steel Guards and Housing
- Aluminum Four Bladed Propeller
- Grounded Plug and 10' Cord
- Full Width Easy Grip Handle
- Two Speed Rocker Switch
- Velocity: 159 fpm @ 90 ft.
- Fully Assembled
- 8" Steel Wheels



EDP No.	Catalog No.	Prop Dia.	HP	CFM		RPM		dBA		Ship Wt.
				High	Low	High	Low	High	Low	
78933	LC42BD	42"	1	13036	11850	582	517	70	66	103



Warning: Cancer and Reproductive Harm www.P65Warnings.ca.gov
This warning is applicable to all products on this page, see page i2 for more information

Heavy Duty Safety Yellow Air Circulators



5 Year Warranty - High Visibility, Low Maintenance Features

- 115V, 1/3 HP, 1 Phase, Totally Enclosed, 2 Speed, Ball Bearing Motor
- Designed for Automotive, Food Processing and General Factory Operations
- Patented Modular Motor End Dome, for Easy Maintenance
- Hinged Guard for Easy Cleaning
- Meets OSHA Safety Standards
- 2 Speed Drop Cord Switch
- Safety Yellow Color
- 6 Mounting Options
- Non-Oscillating



Performance 115V

Prop Dia.	CFM		RPM	
	High	Low	High	Low
24"	5280	3980	1120	840
30"	6915	5000	1115	780

Performance Ratings are conducted in accordance with AMCA Standard 230-99

EDP No.	Catalog No.	Prop Dia.	Fan Style	Ship Wt.
10731	DJ-PF24-2SPH-DC	24"	Pedestal Mount	85
10740	DJ-WMF24-2SPH-DC	24"	Wall Mount	58
10738	DJ-CMF24-2SPH-DC	24"	Vertical / Bench Mount	58
10735	DJ-CCM24-2SPH-DC	24"	Channel Mount	65
10750	DJ-BMF24-2SPH-DC	24"	I-Beam Mount	65
10732	DJ-PF30-2SPH-DC	30"	Pedestal Mount	92
10741	DJ-WMF30-2SPH-DC	30"	Wall Mount	62
10739	DJ-CMF30-2SPH-DC	30"	Vertical / Bench Mount	62
10736	DJ-CCM30-2SPH-DC	30"	Channel Mount	69
10737	DJ-BMF39-2SPH-DC	30"	I-Beam Mount	68

Safety Head Assembly

EDP No.	Catalog No.	Ship Wt.
12553	DJ24 Head Assembly	58
12554	DJ30 Head Assembly	55



Heavy Duty Easy Clean Air Circulator

Non-Oscillating



2 Year Warranty Features

- 115V, 1/3 HP, 1 Phase, Totally Enclosed Air Over Ball Bearing Motor, Non-Oscillating
- Nickel-Chrome Plated Hinged Guard for ease of cleaning
- Drop Cord Models 2 Speed, Pull Chain Models 3 Speed
- Meets OSHA Safety Standards
- Galvanized Steel Propeller
- 15' Supply Cord Included
- 3 Mounting Options
- 30" Prop Diameter



2 Speed Drop Cord Switch

EDP No.	Catalog No.	Fan Style	HP	CFM		RPM		Motor No.	F.L. Amps	Ship Wt.
				High	Low	High	Low			
71503	CA30HGDCS	Head Assembly	1/3	6100	2700	1100	600	642-AC2SDC	2.7	49
71504	CA30HGDCSIB	I-Beam	1/3							65
71506	CA30HGDCSPB	Pedestal	1/3							92
71507	CA30HGDCWM	Wall	1/3							62

3 Speed Pull Chain Switch

EDP No.	Catalog No.	Fan Style	CFM			RPM			Motor No.	F.L. Amps	Ship Wt.
			High	Med	Low	High	Med	Low			
71500	CA30HGPC	Head Assembly	6100	4400	2700	1100	800	600	642-AC 3 SP	2.8	49
71501	CA30HGPCWM	Wall									62
71502	CA30HGPCPB	Pedestal									92
71505	CA30HGPCIB	I-Beam									65

Component Parts

EDP No.	Catalog No.	Fan Style	Ship Wt.
01515	DCD	Dome only for drop cord	2
01633	Cord	15' Power Cord	2
01723	Switch	Switch - Pull Chain	2
01754	Guard-Safety Pin	Safety Pin - 1 only	1
12013	2-SPDCS-HD	End Dome with drop cord and 2 speed switch	2
12015	DCS-2	Drop Cord with 2 speed switch	1
21017	642-AC 3 SP	Pull Chain Motor	19
21089	COM30-HG&P	30" Hinged Guard and Prop - Chrome	32
21090	642-AC2SDC	Drop Cord Motor	19
21152	8CP-2B	Pedestal	13
21166	A786B-2	Solid 32" floor base	34
21187	878W	Tilted Wall Bracket with Safety Cable	10
21191	700-U	I-Beam Bracket with Safety Cable	14
21204	Safety Kit	Safety Cable Kit	1

Note: "K" suffix indicates unit shipped as individual component parts. May be shipped UPS or Truck. A safety cable kit is included in all overhead mounted air circulators to prevent the fan from falling if accidentally struck or mounting fails. Single safety cable kits consist of 12 feet of 1/16" diameter cable, 2 cable clamps and instructions

Misting Barrel Pedestal Fan - 115V

Non-Oscillating



1 Year Warranty - Can Lower Ambient Air Temperature to the Dew Point Commercial, Industrial, Agricultural & Residential Applications

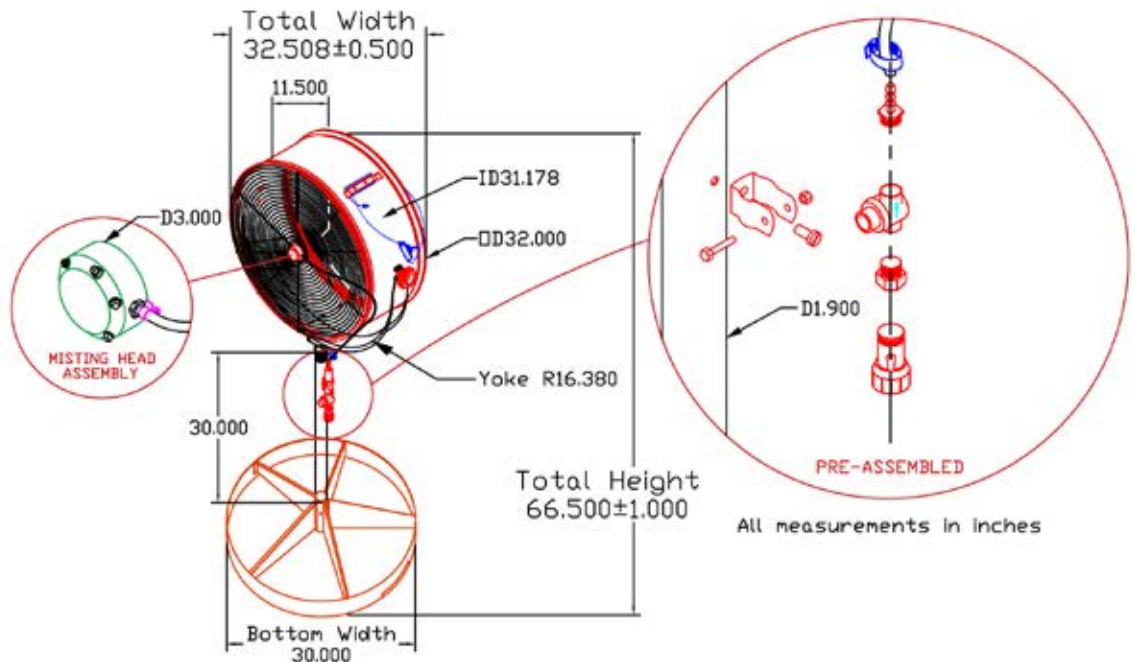
Features

- 115V, 1/3 HP, 1 Phase, Ball Bearing Motor with Waterproof 2 Speed Switch
- Dual Point Filtering System - Stainless Steel In-Line Filter & a Filter for Large Objects at the Hose Connection
- Mounting Yoke on Barrel Fan Allows for 360° Tilt
- Variable Water Output - up to 6 Gallons/Hour
- Metal Parts Epoxy Powder Coated
- Patented 3 Nozzle Misting Head
- Air Pattern 60' Long X 20' Wide
- 10' Cord and Plug Included
- For Indoor & Outdoor Use



EDP No.	Catalog No.	Prop Dia.	Fan Style	CFM		RPM		HP	Ship Wt.
				High	Low	High	Low		
60031	AMF-30-B	30"	Pedestal Barrel	8800	6000	1140	950	1/3	96

Performance Ratings are conducted in accordance with AMCA Standard 230-99



Pedestal or Wall Mount Non-Oscillating

3 Year Warranty Features



Adjustable Floor

- 115V, 1/4 HP, 1 Phase, Totally Enclosed Non-Vented, Ball Bearing Motor
- Wall Mount is supplied with the required Safety Cable Kit.
- Nickel Chrome Guard Meets OSHA Standards
- 15' Three Conductor Supply Cord and Plug
- Galvanized Steel Propeller
- UPS Shippable - All Parts Packaged in One Extra Large Carton - Surcharge May Apply
- Designed to Withstand Moist/Wet Environments, High Pressure Cleaning with Concentrated Caustic Solutions without Affecting Performance or Function.
- BISSC / ANSI/ASB/Z50.2-2015 sanitation standard
- Available in Non-Adjustable Pedestal or Wall Mount
- All Parts Packaged in One UPS shippable carton
- Motor Washdown Specification is IEC-IP55
- Electrostatic coated motor
- All Stocked



Wall Mount

Type	Tilt (In Degrees) Oscillating	
	Up	Down
Floor	30°	20°
Wall	0°	20°

0° = Horizontal Plane

EDP No.	Prop Dia.	Fan Style	CFM			RPM			Motor Number	F.L. Amps	Ship Wt.
			High	Med	Low	High	Med	Low			
71761	24"	Pedestal Fan	5548	4699	4062	1110	958	856	0-3B	3.2	86
71763	24"	Wall Mount									57
71762	30"	Pedestal Fan	7794	5943	5143	1091	871	759	0-3B	3.2	95
71764	30"	Wall Mount									61
73301	24"	Replacement Prop									5
73401	30"	Replacement Prop									5

Performance Ratings are conducted in accordance with AMCA Standard 230-99



Warning: Cancer and Reproductive Harm www.P65Warnings.ca.gov
This warning is applicable to all products on this page, see page i2 for more information

Stainless Steel Food Service Air Circulators Unit Pack Models Non-Oscillating



Floor Model



Wall Model

10 Year Warranty

Features

- 115V, 1/15 HP (20") and 115/230V, 1/4 HP (24"), 1/3 HP (30"), 1 Phase, Totally Enclosed Non-Vented, Ball Bearing Motor
- Constructed with Electro-polished 304 Stainless Steel Meets the USDA and the NSF Requirements for "Food Zones"
- Designed to Withstand Moist/Wet Environments, High Pressure Cleaning with Concentrated Caustic Solutions without Affecting Performance or Function.
- Performance Ratings are conducted in accordance with AMCA Standard 230-99
- Available in Non-Adjustable Pedestal or Wall Mount
- Motor Washdown Specification is IEC-IP55
- Guards meet OSHA Standards
- All Stainless Steel Motor



EDP No.	Catalog No.	Prop Dia.	Fan Style	HP	CFM		RPM		Motor No.	Ship Wt.
					High	Low	High	Low		
70834	PWIISS20	20"	Floor Model	1/15	2670	1670	1600	1000	5B	69
70833	WWIISS20	20"	Wall Model	1/15						52
70836	PWIISS24	24"	Floor Model	1/4	5220		1075	4G	79	
70835	WWIISS24	24"	Wall Model	1/4					62	
70764	PWIISS30	30"	Floor Model	1/3	8800		1075	4H	81	
70767	WWIISS30	30"	Wall Model	1/3					64	

Note: When assembling fans use only the stainless steel fasteners supplied with the motors. Fans and motors should be cleaned and inspected regularly. A safety cable kit is included in all overhead mounted air circulators to prevent the fan from falling if accidentally struck or mounting fails. Single safety cable kits consist of 12 feet of 1/16" diameter cable, 2 cable clamps and instructions.

Chemical Resistance Rating Chart

Chemical	Concentration	Stainless Steel Parts
Water:		
De-Ionized Boiling	100%	Excellent
Salt (Immersed)	30%	Excellent
Salt (Spray)	5%	Excellent
Tap - 250°/120° @10,000 PSI	100%	Excellent
Acids:		
Hydrochloric	35%	Poor
Sulfuric	25%	Poor
Nitric	35%	Excellent
Picric	Saturated Solution	Excellent
Base:		
Caustic	100%	Excellent
Caustic	12pH	Excellent
Caustic - 1250 F/500 C	-	Excellent

WASHDOWN APPLICATIONS	
FOOD SERVICE	DAIRY BARNs
HOSPITALS	POULTRY HOUSES
FOOD PROCESSING	FISHERIES

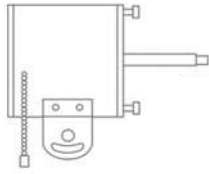
*CORD AND PLUG NOT PROVIDED WITH 115V or 115/230V MODELS. MUST BE HARD WIRED. WIRING MUST CONFORM TO ALL NATIONAL STATE AND LOCAL CODES



Warning: Cancer and Reproductive Harm www.P65Warnings.ca.gov
This warning is applicable to all products on this page, see page i2 for more information

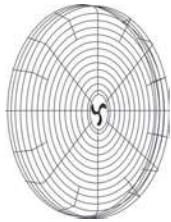
Component Parts / Accessories

Motors - Hard Wired



EDP No.	Catalog No.	F.L. Amps	Ship Wt.	Description
78039	5B	1.4	30	1/15 HP, 115V, 1 Phase, 2 Speed, Ball Bearing, 1/2" shaft (Stainless Steel) *BISSC Approved
78040	4G	3.87	32	1/4 HP, 115/230V, 1 Phase, Ball Bearing 1/2" shaft (Stainless Steel) *BISSC Approved
78042	4H	3.87	34	1/3 HP, 115/230V, 1 Phase, Ball Bearing, 1/2" shaft (Stainless Steel) *BISSC Approved

Guards



EDP No.	Catalog No.	Ship Wt.	Description
70840	AC20GSS	16	20" Stainless Steel Guard
70841	AC24GSS	18	24" Stainless Steel Guard
70761	AC30GSS	19	30" Stainless Steel Guard

Propellers



EDP No.	Catalog No.	Ship Wt.	Description
70842	WGBS20	4	20" Stainless Steel Propeller
70843	WGBS24	5	24" Stainless Steel Propeller
72401	WGBS30	6	30" Stainless Steel Propeller

Pedestal



EDP No.	Catalog No.	Ship Wt.	Description
73001	PEDSS	7	Stainless Steel Stationary Pedestal, 5' Height / Bottom 33 1/2" Counter Model

Base



EDP No.	Catalog No.	Ship Wt.	Description
77001	BOS	16	Open Base - Stainless Steel

Wall Mount Bracket



EDP No.	Catalog No.	Ship Wt.	Description
37773	IAC-WBS	7	Stainless Steel Wall Mount Bracket (Complete with Safety Cable)

Commercial Mancoolers® - 115V

Direct Drive Models

4 - IN - 1® Fans



Vertical Mount



Hanging Mount



Portable Barrel



Wall Mount

2 Year Warranty - Affordable Versatility Features

- Totally Enclosed Air Over Motor
- A safety cable kit is included in all overhead mounted air circulators to prevent the fan from falling if accidentally struck or mounting fails. Single safety cable kits consist of 12 feet of 1/16" diameter cable, 2 cable clamps and instructions
- 36" 4-IN-1 Mancooler® is over sized, additional UPS Large Package Surcharges Apply
- Guards, Barrel, Mountings Epoxy Coated
- One Fan - Four Mounting Options
- All Mountings In One Box
- Easy to Assemble
- Pull Chain Switch
- Versatile
- Tiltable

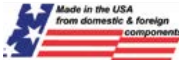


EDP No.	Prop Dia.	HP	Volts	Speeds	CFM			RPM			F.L. Amps			Ship Wt.
					High	Med	Low	High	Med	Low	High	Med	Low	
60480	18"	1/14	120	3	5190	3930	3050	1380	1220	1140	1.02	.89	.83	25
60481	24"	1/7	115	2	7100	--	5820	1050	--	940	1.95	--	1.72	42
60470	30"	¼	115	3	5670	4590	3410	1110	810	600	2.9	2.1	1.93	97
60471	36"	½	115	3	11200	---	8090	830	---	600	4.6	---	3.5	119



2 Year Warranty - Engineered for Superior Performance

- Belt Driven 115V, 1 Phase, 2 Speed, 1HP Motor
- Steel Hubbed Wheels with Locking Casters 60140, 60002
- Compliant with OSHA Requirements
- SJT 10' Cord with Three Prong Plug
- Full Width Handle with Cord Wrap
- Four / Five Bladed Aluminum Propeller
- 2 Speed Rocker Switch
- Fully Assembled
- 60014, 60019, 60025, 60026 Made In USA
- 60465 Housing made of Stainless Steel Construction
- Swivel Mount Available with 1 Speed and Tilttable 30°



EDP No.	Description	Prop Dia.	HP	CFM		RPM		Ship Wt.
				High	Low	High	Low	
60140	MC60BD	60"	1	19,000	17,000	313	280	240
60019	EMC48B	48"	1		17173		385	165
60026	MC48B Swivel Mount	48"	1		17730		385	180
60002	MC42OS	42"	1	17100	9558	430	285	130
60014	MC42OS	42"	1	17100	9558	430	285	130
60007	EMC42D	42"	½	14000	8000	540	400	120
60025	MC42B Swivel Mount	42"	¾		16180		540	135
60465	36" Stainless Direct Drive	36"	1/2	12800	9090	570	420	120



Portable Mancooler® - 115V / Heavy Duty Mobile Filtered Fan

Mancooler® Cabinet Fans Models - 115V



2 Year Warranty

Features

- 115V, 1 Phase, 1 Speed, Ball Bearing Motor
- On / Off Switch and Handle
- Cord and Plug Included
- Assembled



EDP No.	Catalog No.	Prop Dia.	HP	Cabinet Size	CFM	RPM	Ship Wt.
39130	M30RA	30"	½	36¼" X 22" W	7360	580	141
39140	M36RA	36"	½	42¼" X 22" W	9230	430	151
39150	M42RA	42"	¾	48¼" X 22" W	13620	440	277
39160	M48RA	48"	1	54¼" X 22" W	17770	400	312

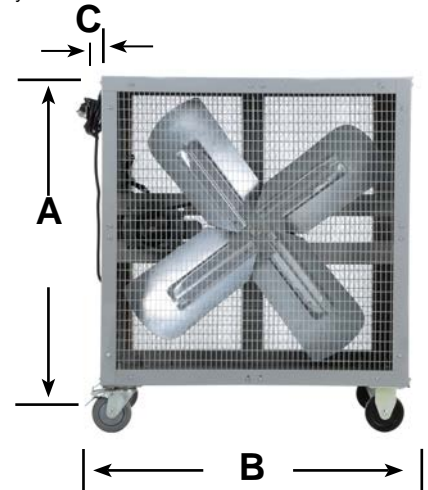
Heavy Duty Mobile Filtered Fan - Belt Drive and Direct Drive

Models BDFD and DDFD

1 Year Warranty - Removes Dust Particles from Circulated Air

Features

- 115V, ½ HP, 1 Phase, 2 Speed, Non-Overloading PSC, ODP Motor
- Two Swivel and Two Fixed Casters for Easy Mobility
- Easy to Replace Filters Available
- Heavy Duty Epoxy Coated Steel
- Galvanized Steel Prop
- Sealed Ball Bearings



Belt Drive Models

EDP No.	Catalog No.	Prop Dia.	CFM	RPM	Amps	Dimensions			Use Replacement Filter EDP No.	Ship Wt.
			High	High		A	B	C		
39171	30BDFD	30"	3606	627	5.04	34"	36"	21"	07290	140
39181	36BDFD	36"	4463	530	5.28	39"	41 ½"	21"	07291	160
39191	42BDFD	42"	5702	377	6.19	45"	47 ½"	21"	07292	285

Direct Drive Models

EDP No.	Catalog No.	Prop Dia.	CFM	RPM	Amps	Dimensions			Use Replacement Filter EDP No.	Ship Wt.
			High	High		A	B	C		
39201	36DDFD	36"	5460	850	4.5	39"	41 ½"	21"	07291	165



Portable Utility Blower



1 Year Warranty - Ready to Use

Features

- 120V, 60 Hz, 3 Speed, 1.77 Amp Draw, Ball Bearing Motor
- Two 120V, 10 Amp Receptacles with Protective Covers
- Compact Portable Design with Impact Resistant Shell
- Rubber Contact Pads for Surface Protection
- Resettable Circuit Breaker Protection
- 8 ½' Cord with Grounded Plug
- Three Speed Selector Switch
- Adjustable Air Direction
- Up to 300 CFM Airflow
- Carrying Handle

EDP No.	Dimensions			Max Amps	Ship Wt.
	Length	Width	Height		
78967	22"	14"	19"	1.5	9

Optional Heater Attachment



1 Year Warranty

Features

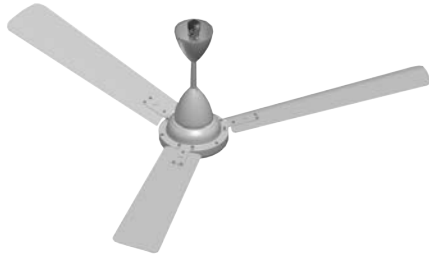
- 120V, 60 Hz, 10 Amps, 1320 Watts, 4500 BTU Heating Capacity
- Converts Blower into Lightweight Portable Heater
- Clips Securely onto Front of Blower
- Plugs into Outlet on Side of Blower
- Illuminated On / Off Rocker Switch
- 8" Cord with Grounded Plug
- Thermal Protection

EDP No.	Dimensions			Ship Wt.
	Length	Width	Height	
78966	8¾"	4⅞"	3⅞"	2

Continuous Duty

Features

Units must be mounted where the blades are at least 10' from the floor



Mark 2

MARK 2

- 120 V, 1 phase
- Electro-Static Paint
- Highest efficiency in its class
- 3 blade, aluminum
- 8828 minimum CFM
- Full Load Amps 1.87
- Includes Safety Cable and J Hook for easy Installation
- 1 Year Commercial Warranty
- UL / CUL Listed
- Non Reversible



120V Model Ceiling Fans

EDP No.	Description	Color	Prop Dia.	Down Length*	RPM	Ship Wt.
40139	Mark 2*	White	55"	15"	282	15

• Recommended for quiet applications, such as churches or schools, when using Variable Speed Control as produces least audible harmonics.

Accessories for 120V Models Only

EDP No.	Description	Ship Wt.
24855	Variable Speed Control Regulates up to 2 fans. Not to exceed a maximum amp draw of 6.0	1
24880	Humiditat 20% to 80% RH range.	1

Accessories for all Ceiling Fans

EDP No.	Description	Ship Wt.
09019	J-Hook & Safety Cable <i>(recommended for EDP#40139)</i>	1
40006	UCFG Protective Ceiling Fan Guard - 61" diameter nickel chrome plated top and bottom guard kit.	21
21204	Safety Cable Kit for Retrofit Applications	3



Direct Drive Air Blasters 115/230V & 230/460V

For Special Custom Order Products - Once in production non-cancellable, non-returnable under any circumstance.

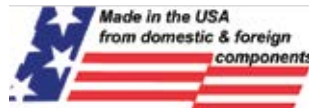


High Stand

1 Year Warranty

Features

- 115/230V & 230/460V, Totally Enclosed and Explosion Proof, Ball Bearing Motors
- Adjustable Tilt Drum on High & Medium Models
- Front & Rear Guards Meet OSHA Standards
- Cast Aluminum Non-Sparking Propellers
- Portable or Stationary Mount
- Welded Steel Construction
- Non-Tipping Heavy Base



Motor Voltage Key

1 Phase 115/230V

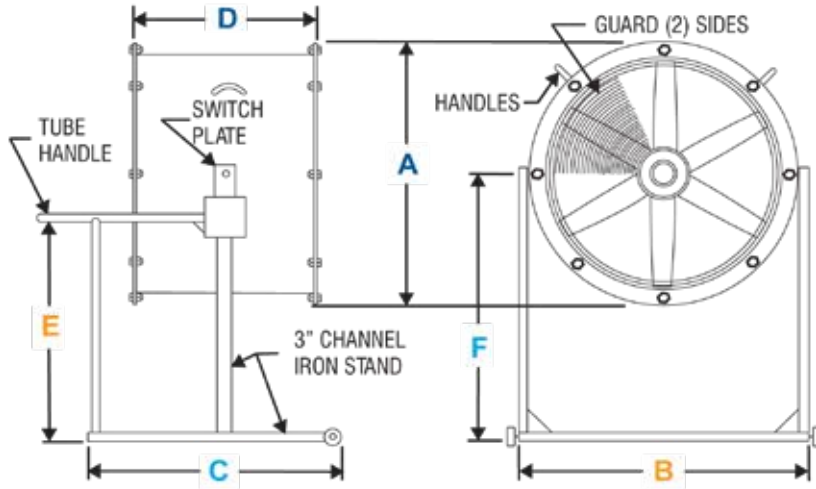
3 Phase 230/460V

High Stand Model - 360° Tilt - Totally Enclosed Motor

EDP No.	Catalog No.	Prop Dia.	Phase	Volt	HP	Decibals @ 10'	CFM	RPM	Ship Wt.
21300	18M-1/4	18"	1	115/230	1/4	74	3450	1725	228
21301	18MP-1/4	18"	3	230/460	1/4	74	3450	1725	228
21310	24M-1/4	24"	1	115/230	1/4	80	5200	1725	255
21311	24MP-1/4	24"	3	230/460	1/4	80	5200	1725	255
21320	24M-1/2	24"	1	115/230	1/2	80	6500	1725	260
21321	24MP-1/2	24"	3	230/460	1/2	80	6500	1725	260
21330	24M-1	24"	1	115/230	1	82	7400	1725	270
21331	24MP-1	24"	3	230/460	1	82	7400	1725	270
21341	24MP-3	24"	3	230/460	3	87	10500	1725	300
21350	30M-1/2	30"	1	115/230	1/2	86	8000	1725	281
21351	30MP-1/2	30"	3	230/460	1/2	86	8000	1725	281
21360	30M-1 1/2	30"	1	115/230	1 1/2	92	11000	1725	340
21361	30MP-1 1/2	30"	3	230/460	1 1/2	92	11000	1725	340
21371	30MP-3	30"	3	230/460	3	94	16000	1725	360
21380	36M-1 1/2	36"	1	115/230	1 1/2	88	14850	1725	415
21381	36MP-1 1/2	36"	3	230/460	1 1/2	88	14850	1725	415
21390	36M-2	36"	1	115/230	2	90	16800	1725	420
21391	36MP-2	36"	3	230/460	2	90	16800	1725	420
21601	36MP-3	36"	3	230/460	3	84	20000	1150	445
21411	42MP-2	42"	3	230/460	2	86	18000	1150	565
21621	42MP-5	42"	3	230/460	5	86	28000	1150	590
21631	48MP-7 1/2	48"	3	230/460	7 1/2	105	37000	1150	875



For Special Custom Order Products - Once in production non-cancellable, non-returnable under any circumstance.



High Stand Dimensions

Size	A	B	C	D	E	F
18"	20	23	30	20	25	42
24"	26	29	30	20	25	42
30"	32	35	30	20	25	42
36"	38	41	30	24	25	42
42"	44	47	30	24	25½	42
48"	51	53	30	28	25½	42

Motor Voltage Key

1 Phase	115/230V
3 Phase	230/460V

High Stand Model - 360° Tilt - Explosion Proof Motor

EDP No.	Catalog No.	Prop Dia.	Phase	Volt	HP	Decibals @ 10'	CFM	RPM	Ship Wt.
21302	18M-1/4X	18"	1	115/230	¼	74	3450	1725	228
21303	18MP-1/4X	18"	3	230/460	¼	74	3450	1725	228
21312	24M-1/4X	24"	1	115/230	¼	80	5200	1725	255
21313	24MP-1/4X	24"	3	230/460	¼	80	5200	1725	255
21322	24M-1/2X	24"	1	115/230	½	80	6500	1725	260
21323	24MP-1/2X	24"	3	230/460	½	80	6500	1725	260
21332	24M-1X	24"	1	115/230	1	82	7400	1725	270
21333	24MP-1X	24"	3	230/460	1	82	7400	1725	270
21343	24MP-3X	24"	3	230/460	3	87	10500	1725	300
21352	30M-1/2X	30"	1	115/230	½	86	8000	1725	281
21353	30MP-1/2X	30"	3	230/460	½	86	8000	1725	281
21362	30M-1½X	30"	1	115/230	1½	92	11000	1725	340
21363	30MP-1½X	30"	3	230/460	1½	92	11000	1725	340
21373	30MP-3X	30"	3	230/460	3	94	16000	1725	360
21382	36M-1½X	36"	1	115/230	1½	88	14850	1725	415
21383	36MP-1½X	36"	3	230/460	1½	88	14850	1725	415
21393	36MP-2X	36"	3	230/460	2	90	16800	1725	420
21603	36MP-3X	36"	3	230/460	3	84	20000	1150	445
21413	42MP-2X	42"	3	230/460	2	86	18000	1150	565
21623	42MP-5X	42"	3	230/460	5	86	28000	1150	590
21633	48MP-7½X	48"	3	230/460	7½	105	37000	1150	875

For Special Custom Order Products - Once in production non-cancellable, non-returnable under any circumstance.



Medium Stand

1 Year Warranty

Features

- 115/230V & 230/460V, Totally Enclosed and Explosion Proof, Ball Bearing Motors
- Adjustable Tilt Drum on High & Medium Models
- Front & Rear Guards Meet OSHA Standards
- Cast Aluminum Non-Sparking Propellers
- Portable or Stationary Mount
- Welded Steel Construction
- Non-Tipping Heavy Base



Motor Voltage Key

1 Phase 115/230V

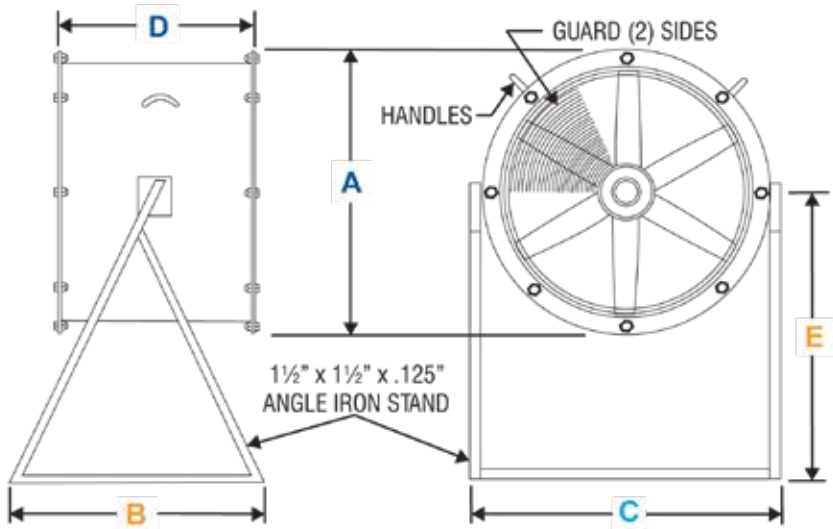
3 Phase 230/460V

Medium Stand Model - 360° Tilt - Totally Enclosed Motor

EDP No.	Catalog No.	Prop Dia.	Phase	Volt	HP	Decibals @ 10'	CFM	RPM	Ship Wt.
21700	18M-1/4M	18"	1	115/230					
21701	18MP-1/4M	18"	3	230/460	¼	74	3450	1725	160
21710	24M-1/4M	24"	1	115/230					
21711	24MP-1/4M	24"	3	230/460	¼	80	5200	1725	165
21720	24M-1/2M	24"	1	115/230					
21721	24MP-1/2M	24"	3	230/460	½	80	6500	1725	180
21730	24M-1M	24"	1	115/230					
21731	24MP-1M	24"	3	230/460	1	82	7400	1725	190
21741	24MP-3M	24"	3	230/460	3	87	10500	1725	260
21750	30M-1/2M	30"	1	115/230					
21751	30MP-1/2M	30"	3	230/460	½	86	8000	1725	220
21760	30M-1½M	30"	1	115/230					
21761	30MP-1½M	30"	3	230/460	1½	92	11000	1725	260
21771	30MP-3M	30"	3	230/460	3	94	16000	1725	277
21780	36M-1½M	36"	1	115/230					
21781	36MP-1½M	36"	3	230/460	1½	88	14850	1725	320
21790	36M-2M	36"	1	115/230					
21791	36MP-2M	36"	3	230/460	2	90	16800	1725	325
22001	36MP-3M	36"	3	230/460	3	84	20000	1150	350
21811	42MP-2M	42"	3	230/460	2	86	18000	1150	415
22021	42MP-5M	42"	3	230/460	5	86	28000	1150	440
22031	48MP-7½M	48"	3	230/460	7½	105	37000	1150	745



For Special Custom Order Products - Once in production non-cancellable, non-returnable under any circumstance.



Medium Stand Dimensions

Size	A	B	C	D	E
18"	20	23	30	20	25
24"	26	29	30	20	25
30"	32	35	30	20	25
36"	38	41	30	24	25
42"	44	47	30	24	25½
48"	51	53	30	28	25½

Motor Voltage Key

1 Phase	115/230V
3 Phase	230/460V

Medium Stand Model - 360° Tilt - Explosion Proof Motor

EDP No.	Catalog No.	Prop Dia.	Phase	Volt	HP	Decibals @ 10'	CFM	RPM	Ship Wt.
21702	18M-1/4MX	18"	1	115/230	¼	74	3450	1725	160
21703	18MP-1/4MX	18"	3	230/460					
21712	24M-1/4MX	24"	1	115/230	¼	80	5200	1725	165
21713	24MP-1/4MX	24"	3	230/460					
21722	24M-1/2MX	24"	1	115/230	½	80	6500	1725	180
21723	24MP-1/2MX	24"	3	230/460					
21732	24M-1MX	24"	1	115/230	1	82	7400	1725	190
21733	24MP-1MX	24"	3	230/460					
21743	24MP-3MX	24"	3	230/460	3	87	10500	1725	260
21752	30M-1/2MX	30"	1	115/230	½	86	8000	1725	220
21753	30MP-1/2MX	30"	3	230/460					
21762	30M-1½MX	30"	1	115/230	1½	92	11000	1725	260
21763	30MP-1½MX	30"	3	230/460					
21773	30MP-3MX	30"	3	230/460	3	94	16000	1725	277
21782	36M-1½MX	36"	1	115/230	1½	88	14850	1725	320
21783	36MP-1½MX	36"	3	230/460					
21793	36MP-2MX	36"	3	230/460	2	90	16800	1725	325
22003	36MP-3MX	36"	3	230/460	3	84	20000	1150	350
21813	42MP-2MX	42"	3	230/460	2	86	18000	1150	415
22023	42MP-5MX	42"	3	230/460	5	86	28000	1150	440
22033	48MP-7½MX	48"	3	230/460	7½	105	37000	1150	745



Warning: Cancer and Reproductive Harm www.P65Warnings.ca.gov
This warning is applicable to all products on this page, see page i2 for more information

Direct Drive Air Blasters 115/230V & 230/460V

For Special Custom Order Products - Once in production non-cancellable, non-returnable under any circumstance.



Low Stand

1 Year Warranty

Features

- 115/230V & 230/460V, Totally Enclosed and Explosion Proof, Ball Bearing Motors
- Front & Rear Guards Meet OSHA Standards
- Cast Aluminum Non-Sparking Propellers
- Portable or Stationary Mount
- Welded Steel Construction
- Non-Tipping Heavy Base



Motor Voltage Key

1 Phase 115/230V

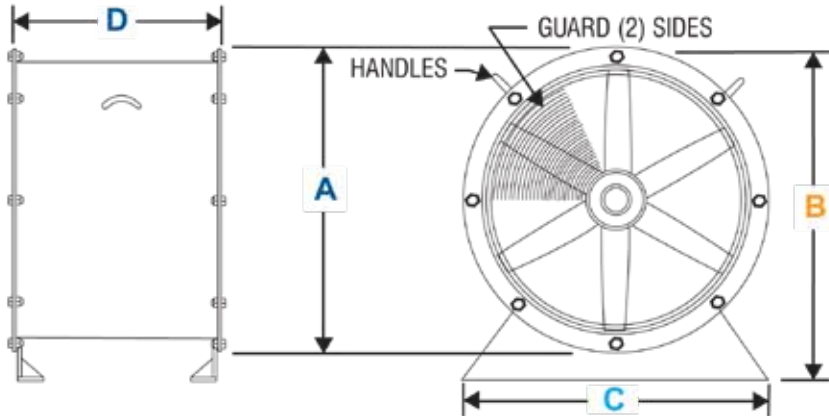
3 Phase 230/460V

Low Stand Model - Totally Enclosed Motor

EDP No.	Catalog No.	Prop Dia.	Phase	Volt	HP	Decibals @ 10'	CFM	RPM	Ship Wt.
22100	18M-1/4L	18"	1	115/230	1/4	74	3450	1725	87
22101	18MP-1/4L	18"	3	230/460					
22110	24M-1/4L	24"	1	115/230	1/4	80	5200	1725	115
22111	24MP-1/4L	24"	3	230/460					
22120	24M-1/2L	24"	1	115/230	1/2	80	6500	1725	120
22121	24MP-1/2L	24"	3	230/460					
22130	24M-1L	24"	1	115/230	1	82	7400	1725	130
22131	24MP-1L	24"	3	230/460					
22141	24MP-3L	24"	3	230/460	3	87	10500	1725	160
22150	30M-1/2L	30"	1	115/230	1/2	86	8000	1725	141
22151	30MP-1/2L	30"	3	230/460					
22160	30M-1 1/2L	30"	1	115/230	1 1/2	92	11000	1725	200
22161	30MP-1 1/2L	30"	3	230/460					
22171	30MP-3L	30"	3	230/460	3	94	16000	1725	220
22180	36M-1 1/2L	36"	1	115/230	1 1/2	88	14850	1725	250
22181	36MP-1 1/2L	36"	3	230/460					
22190	36M-2L	36"	1	115/230	2	90	16800	1725	255
22191	36MP-2L	36"	3	230/460					
22401	36MP-3L	36"	3	230/460	3	84	20000	1150	280
22211	42MP-2L	42"	3	230/460	2	86	18000	1150	315
22421	42MP-5L	42"	3	230/460	5	86	28000	1150	340
22431	48MP-7 1/2L	48"	3	230/460	7 1/2	105	37000	1150	685



For Special Custom Order Products - Once in production non-cancellable, non-returnable under any circumstance.



Low Stand Dimensions

Size	A	B	C	D
18"	20	23	30	20
24"	26	29	30	20
30"	32	35	30	20
36"	38	41	30	24
42"	44	47	30	24
48"	51	53	30	28

Motor Voltage Key

1 Phase	115/230V
3 Phase	230/460V

Low Stand Model - Explosion Proof Motor

EDP No.	Catalog No.	Prop Dia.	Phase	Volt	HP	Decibals @ 10'	CFM	RPM	Ship Wt.
22102	18M-1/4LX	18"	1	115/230	1/4	74	3450	1725	87
22103	18MP-1/4LX	18"	3	230/460					
22112	24M-1/4LX	24"	1	115/230	1/4	80	5200	1725	115
22113	24MP-1/4LX	24"	3	230/460					
22122	24M-1/2LX	24"	1	115/230	1/2	80	6500	1725	120
22123	24MP-1/2LX	24"	3	230/460					
22132	24M-1LX	24"	1	115/230	1	82	7400	1725	130
22133	24MP-1LX	24"	3	230/460					
22143	24MP-3LX	24"	3	230/460	3	87	10500	1725	160
22152	30M-1/2LX	30"	1	115/230	1/2	86	8000	1725	141
22153	30MP-1/2LX	30"	3	230/460					
22162	30M-1 1/2LX	30"	1	115/230	1 1/2	92	11000	1725	200
22163	30MP-1 1/2LX	30"	3	230/460					
22173	30MP-3LX	30"	3	230/460	3	94	16000	1725	220
22182	36M-1 1/2LX	36"	1	115/230	1 1/2	88	14850	1725	250
22183	36MP-1 1/2LX	36"	3	230/460					
22193	36MP-2LX	36"	3	230/460	2	90	16800	1725	255
22403	36MP-3LX	36"	3	230/460	3	84	20000	1150	280
22213	42MP-2LX	42"	3	230/460	2	86	18000	1150	315
22423	42MP-5LX	42"	3	230/460	5	86	28000	1150	340
22433	48MP-7 1/2LX	48"	3	230/460	7 1/2	105	37000	1150	685



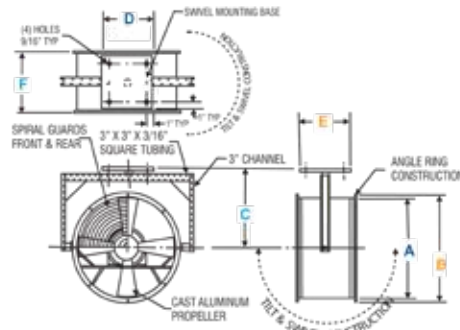
Warning: Cancer and Reproductive Harm www.P65Warnings.ca.gov
This warning is applicable to all products on this page, see page i2 for more information

For Special Custom Order Products - Once in production non-cancellable, non-returnable under any circumstance.

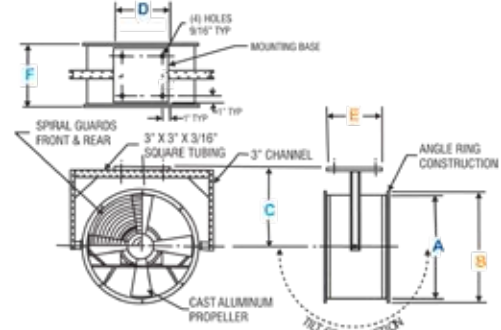
Accessories & Modifications



Yoke Mount



Tilt & Swivel



Tilt Only



Yoke Mount Dimensions

Size	A	B	C Tilt Only	C Tilt & Swivel Only	D	E	F
18"	18	20	17	17½	15	15	20
24"	24	26	21	21½	15	15	20
30"	30	30	25	25½	15	15	20
36"	36	28	29	29½	18	18	24

Yoke Mount

EDP No.	Catalog No.	Option	Prop Dia.	Description	Ship Wt.
22440	Yoke Mount - Tilt	Tilt	18"	For Wall / Vertical Mount	45
22441	Yoke Mount - Tilt, Swivel	Tilt & Swivel			
22450	Yoke Mount - Tilt	Tilt	24"	For Wall / Vertical Mount	50
22451	Yoke Mount - Tilt, Swivel	Tilt & Swivel			
22460	Yoke Mount - Tilt	Tilt	30"	For Wall / Vertical Mount	55
22461	Yoke Mount - Tilt, Swivel	Tilt & Swivel			
22470	Yoke Mount - Tilt	Tilt	36"	For Wall / Vertical Mount	70
22471	Yoke Mount - Tilt, Swivel	Tilt & Swivel			

Casters with Locking Device - Only for Low & Medium Models

EDP No.	Catalog No.	Prop Dia.	Description	Ship Wt.
22480	Casters	18" - 30"	Two Fixed / Two Swivel	12
22490	Casters	36" - 48"	Two Fixed / Two Swivel	16

Optional Prewired Starter Switches

EDP No.	Catalog No.	Phase	Motor HP				
91901	Starter Switch	1	¼		½		1
91902	Starter Switch		1½				
91903	Starter Switch	3	¼	½	1	1½	3
91904	Starter Switch		5				



Portable Ceramic Heater



1 Year Warranty

Features

- 240V, 60HZ, 5.6 KW
- Portable structure
- Tip-over Safety switch
- A thermostat maintains desired room temperature
- Amps: 30.00
- Adjustability - 40 Degree up, 10 degree down

EDP No.	BtuH Output	Settings	Ship Wt.
71545	5120	Motor	8

Electric Salamander



1 Year Warranty

Features

- 480V, 60Hz
- Enclosure with Safety Screens on Both Air Intake and Output Openings
- Thermostat Maintains Desired Room Temperature
- Long Life Finned Tubular Heating Elements
- High Limit Thermal Cutout Switch
- Drum Body Structure

EDP No.	BtuH Output	Watts	Amps	Ship Wt.
71550	51180	15KW	18	80
71544	32414	9.8KW	39.6	100
71551	102360	30KW	36	100

Heaters

Milkhouse Heater



1 Year Warranty

Features

- 120V, 60 Hz, 2 Settings
- Two Comfort Heat Selections, Overheat and Tip-Over Shut Off Control
- Size: 10.7" (W) x 16.5" (H) x 8.5" (D)
- 3 Prong Grounded Plug and 6' Cord
- Easy to Use, Built in Thermostat
- Power-On Indicator Lamp
- Portable Structure
- Amps 12.5 / 10.8

EDP No.	Catalog No.	BtuH Output		Settings		Ship Wt.
71537	MMHD1502C	5518	4436	1.5KW	1.3KW	12

Wall Heater



1 Year Warranty

Features

- 120V / 240V, 60 Hz, Single Phase Option
- Variable Speed Temperature Knob Setting
- Thermostat Maintains Desired Room Temperature
- Easy Installation Kit Included

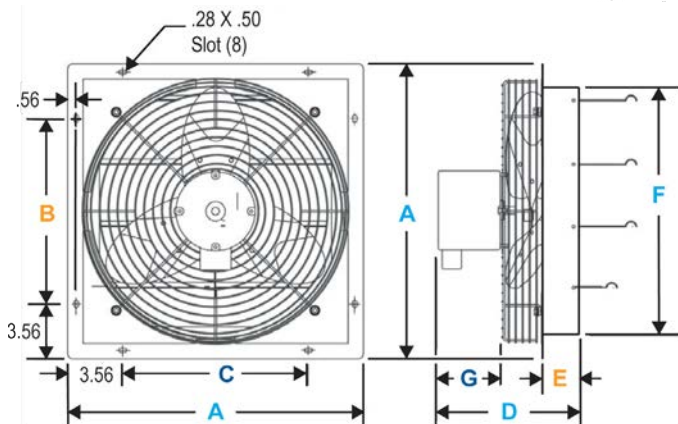
EDP No.	Volts	Watts / Amps	Dimensions	Ship Wt.
71553	120V	1500W / 12.5A	10 5/8" x 12 1/4" x 4 3/4"	10
71554	240V	200W / 8.3A	10 5/8" x 12 1/4" x 4 3/4"	9
71555	Wall Collar Kit Accessory			5



Direct Drive Fans

Low Pressure Shutter Fan

EPRSM Models



1 Year Warranty

Features

- Models are CUL/ UL Listed
- Rear Guard Meets OSHA Standards
- Fully Assembled - Ready to Install
- Totally Enclosed Motor
- Hard Wired unless otherwise indicated

Dimensions

Model	A	B	C	D	E	F	G
EPRSM7	11.13	4	4	8.06	2.38	8	3.00
EPRSM10	13.13	6	6	8.06	2.38	10	3.00
EPRSM12	15.13	8	8	8.06	2.38	12	3.00
EPRSM16	19.13	12	12	9.06	2.38	16	4.00
EPRSM18	21.13	14	14	11.00	2.50	18	4.75
EPRSM20	23.13	16	16	11.00	2.50	20	4.75
EPRSM24	27.13	20	20	12.65	3.00	24	5.00
EPRSM30	33.13	26	26	12.65	3.00	30	5.00

EPRSM

EDP No.	Prop Dia.	Panel Size (Square)	Wall Opening (Square)	0" S.P. CFM	1/8" S.P. CFM	Watts	Motor HP	Volt	F.L. Amp	Max. Sones @ 5'	Ship Wt.
23000	7"	11 1/8"	8 1/2"	121	60	--	1/24	115	1.4	4.8	10
23001	10"	13 1/8"	10 1/2"	611	318	--	1/24	115	1.4	6.6	10
23011*	10"	13 1/8"	11"	496	206	56	--	115	0.60	6.6	10
23015*	12"	15 1/8"	12 1/2"	956	856	138	--	115	1.26	7.6	12
23002	12"	15 1/8"	13"	815	490	--	1/24	115	1.4	7.6	12
23012*	16"	19 1/8"	16 1/2"	1502	1151	142	--	115	1.37	8.0	20
23003	16"	19 1/8"	17"	1216	765	--	1/20	115	1.9	8.0	20
23013*	18"	21 1/8"	19"	1716	1160	145	--	115	1.27	8.4	25
23004	18"	21 1/8"	18 1/2"	1877	752	--	1/15	115	1.3	8.4	25
23007*	20"	23 1/8"	20 1/2"	2235	920	--	1/15	115	1.4	9.0	29
23016*	20"	23 1/8"	20 1/2"	1867	1168	150	--	115	1.36	9.0	29
23005**	24"	27 1/8"	25"	3214	2015	--	1/4	120	3.5	11.7	48
23008**	30"	33 1/8"	30 1/2"	4970	3510	--	1/4	120	3.5	12.0	54

* Models include Plug and Cord. **23005 & 23008 (3-Speed with Pull Chain, Plug, and Cord Included)



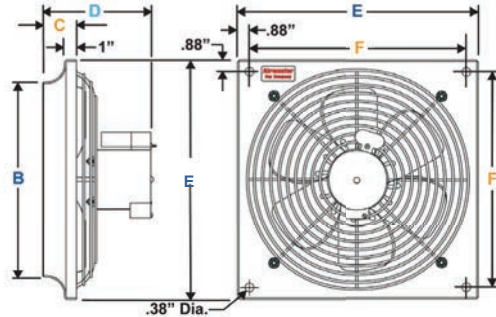
Low Pressure All Purpose Wall Fan

EPR Models

1 Year Warranty - Totally Enclosed Two Speed 115V

Features

- Totally Enclosed Motor
- Low Operating Cost
- Commercial Duty
- High Efficiency



Dimensions

Prop Dia.	B	C	D	E	F	# OF HOLES
10"	10¼"	1½"	6"	14"	12¼"	4
12"	12¼"	1½"	8"	16"	14¼"	
16"	16½"	1¾"	9½"	20"	18¼"	
18"	18½"	1¾"	10"	22"	20¼"	

EDP No.	Catalog No.	Prop Dia.	HP	Fan RPM	Capacity (CFM) @ "SP in. W.G.						Max. Sones @ 5'	Ship Wt.
					0"	.05"	.10"	.125"	.02"	.250"		
24100**	10EPR16	10"	1/30	1550	630	469	418	394	309	234	5.6	12
24110*	12EPR16	12"	1/30	1550	897	843	754	689	503	378	6.0	14
24120**	16EPR16	16"	1/9	1050	1881	1766	1626	1540	1169	814	8.8	24
24130*	18EPR16	18"	1/9	1050	2504	2345	2149	2035	1553	884	9.5	27

Note: For Supply Duty add "S" Prefix to EDP Number and use the list price divided by 0.80

* / ** = See Accessories Below

Recommended Optional Accessories

Used with Catalog No.	Wall Collar		Exhaust Shutter				Supply Shutter				Safety Guards Prop Side (Front)		
			used with Wall Collar		used without Wall Collar		used with Wall Collar		used without Wall Collar		EDP	Catalog	Ship Wt.
	EDP	Catalog	EDP	Catalog	EDP	Catalog	EDP	Catalog	EDP	Catalog			
10EPR16	06883	WS10	22970	EASRMF10	22971	EASRMF12	22754	WC9	22755	WC10	23060	EPR-10G	3
12EPR16	06884	WS12	22971	EASRMF12	22972	EASRMF14	22755	WC10	22611	WC12	23070	EPR-12G	4
16EPR16	06885	WS16E	22972	EASRMF14	22973	EASRMF18	22611	WC12	22621	WC16	23080	EPR-16G	5
18EPR16	06886	WS18E	22973	EASRMF18	22974	EASRMF20	22621	WC16	22631	WC18	23090	EPR-18G	7

For WS Wall Collar Dimensions see page 61. For WRE and WC shutter selection/installation, ship weights and cautions see page 51. **Note:** When a WRE or WC shutter is used for exhaust or supply and mounted remote from the fan, a WS Wall Collar is not needed. The shutter installed directly on the wall and a Motor Acuator Kit must be utilized.

Accessories

EDP No.	Catalog No.	Description
22982	MTR-556 SP	EASR Exhaust Motor Kit (for 9" - 36" Wall Shutters)
80111	Manual Chain Operator	Manual Chain Operator - 1 Panel Exhaust Shutter (for 10" - 36" Supply Shutters)
22900	MK5047-B	WC Supply Duty Motor Kit (for 9" - 36" Supply Shutters)
24852*	Switch	Two Speed Switch for Fan Only
85388*	Switch	Two Speed Switch for Fan & Supply Shutter
24855**	485210	Variable Speed Control
24820	T-1	Thermostat (115V only)

Note: For Motorized Shutters Add Motor Kit. Specify voltage needed when ordering. Units are single phase operation. Specify voltage needed when ordering. If Supply Shutter is remote from fan, it must be motorized.



Warning: Cancer and Reproductive Harm www.P65Warnings.ca.gov
This warning is applicable to all products on this page, see page i2 for more information

Direct Drive Fans

Supply Duty are custom orders: non-cancellable, non-returnable once in production

Low Pressure Industrial Duty

EXG Models



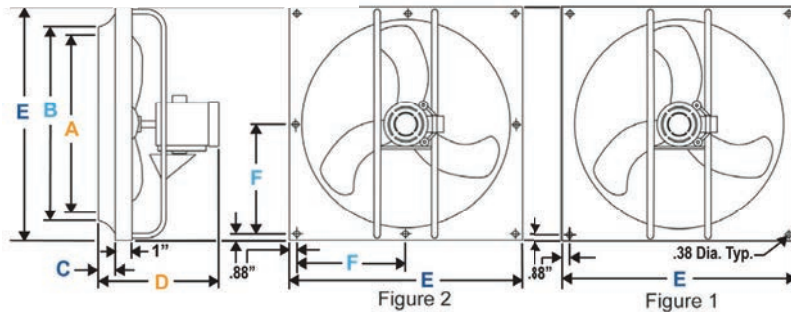
1 Year Warranty

Features

- 12" and 16" sizes - Explosion Proof Motors Class I, Group D & Class II Groups F & G
- 18" and 24" sizes - Explosion Proof Motors Class I, Group D & Class II Groups E, F & G
- Propellers have Spark Resistant Aluminum Blades

See page 3 for Explosion Proof Motor information. Do not use variable speed Control with EXG fan.

Dimensions



Prop Dia.	A	B	C	D	E	F	H (Dia.)	# OF HOLES
12"	12	12½	1⅝	10⅝	16	---	0.38	4
16"	16	16½	1⅞	13¾	22	---		
18"	18	18½	2	15½	24	---		
24"	24	24½	2½	15½	30	14⅞		

Motor Voltage Key

1 Phase	115/230V
3 Phase	230/460V

EDP No.	Catalog No.	Prop Dia.	HP	Fan RPM	Capacity (CFM) @ "SP in. W.G.			Max. Sones @ 5'	Ship Wt.
					0"	⅛"	¼"		
24350	12EXG16	12"	¼	1725	970	900	800	6.7	25
24360	16EXG16	16"	¼	1725	2950	2200	1900	17.6	40
24371	18EXG16A	18"	¼	1140	2600	2200	1000	10.5	62
24391	18EBX836A	18"							
24381	24EXG16A	24"	¼	1140	5100	4780	3550	20.6	75
24401	24EBX836A	24"							

For Supply Duty add "S" prefix to EDP Number and use list price divided by 0.80

Recommended Optional Accessories

Prop Dia.	Wall Collar		Exhaust Shutter				Supply Shutter				Safety Guards			
	EDP	Cat. No.	used with Wall Collar		used without Wall Collar		used with Wall Collar		used without Wall Collar		Prop Side (Front)		Motor Side (Rear)	
			EDP	Cat No.	EDP	Cat. No.	EDP	Cat. No.	EDP	Cat. No.	EDP	Cat. No.	EDP	Cat. No.
			EDP	Cat. No.	EDP	Cat. No.	EDP	Cat. No.	EDP	Cat. No.	EDP	Cat. No.	EDP	Cat. No.
12"	06884	WS12	22971	EASRMF12	22972	EASRMF14	22755	WC10	22611	WC12	23660	12FG	23605	12RG
16"	06886	WS18E	22973	EASRMF18	22973	EASRMF18	22621	WC16	22621	WC16	23665	16FG	23610	16RG
18"	06894	WS18	22974	EASRMF20	22974	EASRMF20	22631	WC18	22631	WC18	23670	18FG	23615	18RG
24"	06887	WS24	22975	EASRMF26	22975	EASRMF26	22641	WC24	22641	WC24	23675	24FG	23620	24RG

Note: When an EASR or WC shutter is used for exhaust or supply and mounted remote from the fan, a WS Wall Collar is not needed. The shutter is installed directly on a wall and a Motor Actuator Kit must be utilized.

Notes: Weatherhoods are available for the 24" units. WS Wall Collars are shipped knocked down. WC Supply Shutters are not weather resistant. It is recommended that the WC be used with a weatherhood. See pages 61 and 62 for WS Wall Collar Dimensions & Weatherhoods. See page 62 for prop (front) and motor (rear) side guard dimensions. For Epoxy Coating Finish of shutters or guards, add "E" suffix to EDP Number and use list price divided by 0.65

See page 60 for EASR and WC shutter selection / installation information, ship weights and cautions.



Direct Drive Fans

Supply Duty are custom orders: non-cancellable, non-returnable once in production

Low Pressure Industrial Duty

PD Models



1 Year Warranty Features

- 2 Speed, Single Phase; or 1 Speed, 3 Phase Motors Available
- Totally Enclosed, Ball Bearing Motor
- High Efficiency

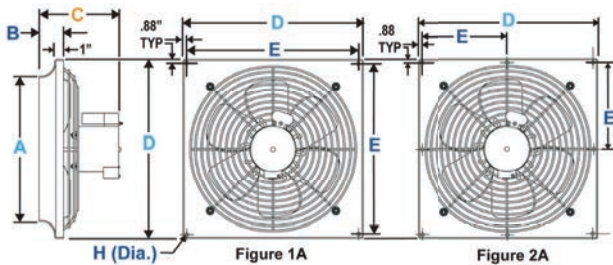


Motor Voltage Key

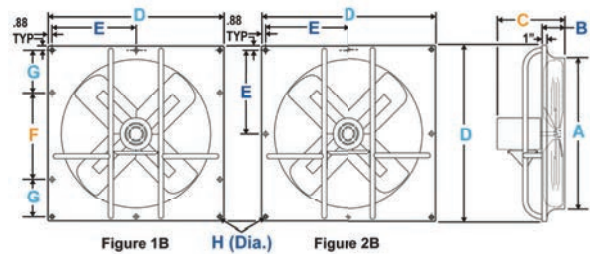
1 Phase	2 Speed	115V
3 Phase	1 Speed	230/460V

EDP No.	Catalog No.	Prop Dia.	HP	Fan RPM	Capacity (CFM) @ "SP in. W.G.				Max. Sones @ 5'	Ship Wt.
					0"	1/10"	1/8"	1/4"		
24201	PD18T-D3A	18"	1/6	1110	2680	2414	2332	1789	12.0	34
24211*	PD24T-E3A*	24"	1/2	870	4860	4360	4270	2800	11.6	56
24260	PD24T-E8A	24"	1/4	825	4610	4110	4020	2550	11.6	70
24221	PD30T-G3A	30"	1/2	845	7380	6850	6750	5500	16.7	73
24270	PD30T-G8	30"	1/2	845	7380	6850	6750	5500	16.7	70
24231	PD36R-G3A	36"	1/2	840	8664	7814	7545	5916	20.5	95
24280	PD36R-G8	36"	1/2	840	8664	7814	7545	5916	20.5	95

For Supply Duty add "S" prefix to EDP Number and use list price divided by 0.80.
* = Not available as Supply Duty.



PD 18" & 24"
Illustration A



PD 30" & 36"
Illustration B

PD Model Dimensions

Prop Dia.	See Figure	A (Dia.)	B	C	D	E	F	G	H (Dia.)	# OF HOLES
18"	1A	18½	3	9⅝	24	22¼	---	---	0.38	4
24"	2A	24½	3½	15½	30	14⅝	---	---	0.62	8
30"	2B	30½	4⅝	13¾	36	17⅝	---	---	0.62	8
36"	1B	36½	4¾	12¼	42	20⅝	18¼	11	0.62	10



Low Pressure Industrial Duty

PD Models

Recommended Optional Accessories

Prop Dia.	Exhaust Shutter		WS Wall Collar		WC Supply Shutter		Safety Guards			
							Prop Side (Front)		Motor Side (Rear)	
	EDP	Catalog No.	EDP	Catalog No.	EDP	Catalog No.	EDP	Catalog No.	EDP	Catalog No.
18"	22974	EASRMF20	06894	WS18	22631	WC18	23670	18FG	INCLUDED	
24"	22975	EASRMF26	06887	WS24	22641	WC24	23675	24FG	INCLUDED	
30"	22976	EASRMF32	06888	WS30	22651	WC30	23680	30FG	23625	30RG
36"	22977	EASRMF38	06889	WS36	22661	WC36	23685	36FG	23630	36RG

Note: When an EASR or WC shutter is used for exhaust or supply and mounted remote from the fan, a WS Wall Collar is not needed. The shutter is installed directly on a wall and a Motor Actuator Kit must be utilized.

Note: On 18" and 24" sizes, motor is guard mounted

See page 63 for prop side (front) & motor side (rear) guard dimensions. See page 60 for EASR and WC shutter selection / installation information, ship weights and cautions.

See page 49 for Motorized Exhaust and Shutter Kits.

EDP No.	Catalog No.	Description
22982	MTR-556 SP	EASR Exhaust Motor Kit (for 9" - 36" Wall Shutters)
80111	Manual Chain Operator	Manual Chain Operator - 1 Panel Exhaust Shutter (for 10" - 36" Supply Shutters)
22900*	MK5047-B	WC Supply Duty Motor Kit, 120/240V (for 9" - 36" Supply Shutters)
22905*	MK5047-C	WC Supply Duty Motor Kit, 440V (for 9" - 36" Supply Shutters)
24852	Switch	Two Speed Switch for Fan Only
85388	Switch	Two Speed Switch for Fan & Supply Shutter
24820	T-1	Thermostat Control (115V only)

* Specify voltage needed when ordering.



Direct Drive Fans

High Pressure High Velocity

HV & HVEX Model



HV

1 Year Warranty

Features

- Explosion Proof motors are Class I, Group D and Class II, Groups F and G. UL Listed.
- Propellers on Explosion Proof Models have Spark Resistant Aluminum Blades.
- Air Delivery Based on Standard Test Codes of AMCA
- Totally Enclosed & Explosion Proof Motors
- Fully Assembled - Ready to Install
- Full Range of Accessories



Motor Voltage Key

1 Phase 115/230V

3 Phase 230/460V

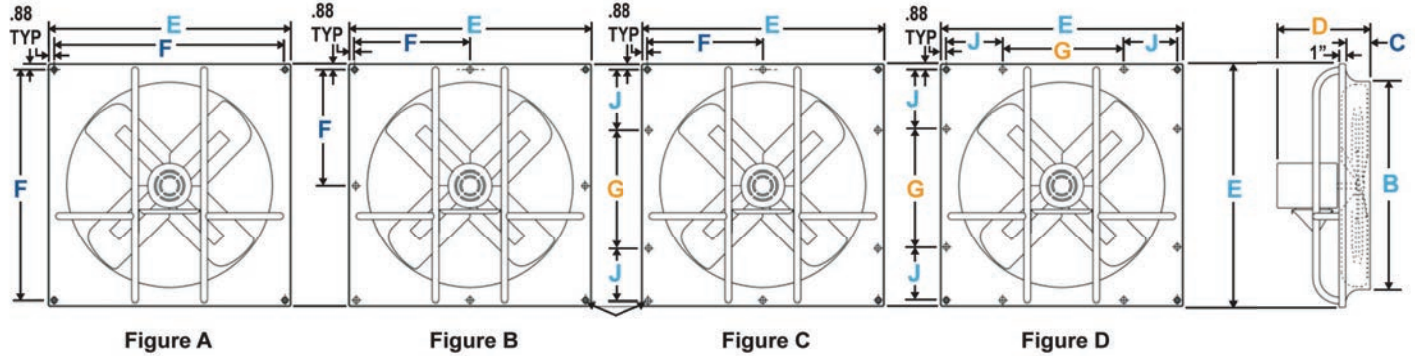
Fans with Totally Enclosed Motor

EDP No.	Catalog No.	Prop Dia.	Motor HP	RPM	Capacity (CFM) @ "SP in. W.G.					Max. Sones @ 5'	Ship Wt.
					0"	1/8"	1/4"	3/8"	1/2"		
25300	H12V76-1	12"	1/6	1750	1480	1360	1220	886	734	10.7	28
25305	H16V76-1	16"	1/2	1750	2700	2590	2390	2100	1740	18.5	44
25310	H16V836-1	16"									
25315	H18V76-1	18"	1/2	1750	3900	3780	3575	3280	2880	23.0	46
25320	H18V836-1	18"									
25335	H24V76-2	24"	1	1750	6860	6560	6240	5900	5426	35.4	88
25340	H24V836-2	24"									
25355	H30V76-1	30"	1	1150	9470	8750	8030	7100	5900	29.0	51
25360	H30V836-1	30"									
25365	H30V836-3	30"	3	1750	14400	13900	13450	13000	12500	60.1	130
25385	H36V836-3	36"	1½	1150	13300	12400	11600	10600	---	37.1	203
25390	H36V836-1	36"	3	1750	16890	16179	15504	14816	14125	80.1	205
25395	H36V836-2	36"	5	1750	20300	19650	19100	18600	17950	76.5	225
25415	H42V836-3	42"	1½	1150	15789	15044	14059	13020	11690	51.8	240
25420	H42V836-1	42"	3	1150	22100	21300	20500	19650	18650	51.3	295
25425	H42V836-2	42"	5	1150	26640	25968	25250	24350	23250	62.3	320
25445	H48V836-3	48"	3	850	27420	25800	24350	22600	---	40.7	315
25450	H48V836-2	48"	7½	1150	37100	35800	34700	33600	32450	70.2	360



High Pressure High Velocity

HV & HVEX Models



HV & HVEX Model Dimensions

Prop Dia.	See Figure	B	C	D		E	F	G	J	H (Dia.)	# OF HOLES
				1 Phase (Max)	3 Phase (Max)						
12"	A	12.25	1.25	10	---	16	14.25	---	---	0.38	4
16"	A	16.50	1.75	12	12.25	22	18.25	---	---	0.38	4
18"	A	18.50	1.75	10	10	24	22.25	---	---	0.38	4
24"	B	24.5	2.50	12	12.25	30	14.12	---	---	0.62	8
30"	B	30.50	3.00	15	14.75	36	17.12	---	---	0.62	8
36"	C	36.5	3.25	15	15.75	42	21.12	20.25	10	0.62	10
42"	D	42.5	3.25	---	20.00	48	---	20.25	13	0.62	12
48"	D	48.5	3.25	---	22.50	54	---	20.25	16	0.62	12

Motor Voltage Key

1 Phase 115/230V

3 Phase 230/460V

Fans with Explosion Proof Motor

EDP No.	Catalog No.	Prop Dia.	Motor HP	RPM	Capacity (CFM) @ "SP in. W.G.					Max. Sones @ 5'	Ship Wt.
					0"	1/8"	1/4"	3/8"	1/2"		
25325	H18VEX76-1	18"	1/2	1750	3990	3780	3480	3020	2250	23.0	55
25330	H18VEX836-1	18"									49
25345	H24VEX76-2	24"	1	1750	7820	7690	7450	7070	6450	35.4	47
25350	H24VEX836-2	24"									118
25370	H30VEX76-1	30"	1	1150	10440	9750	8750	7640	6000	29.0	110
25375	H30VEX836-1	30"									118
25380	H30VEX836-3	30"	3	1750	16000	15350	14700	13850	12900	60.1	202
25400	H36VEX836-3	36"	1½	1150	17620	16500	15200	13620	12300	37.1	203
25405	H36VEX836-1	36"	3	1750	18500	17700	15700	15100	13900	80.1	205
25410	H36VEX836-2	36"	5	1750	23000	22150	21100	20200	19000	76.5	225
25435	H42VEX836-1	42"	3	1150	24500	23150	23000	22000	19650	51.3	275
*25440	H42VEX836-2	42"	5	1150	28970	27960	26840	25700	24200	62.3	320
*25460	H48VEX836-2	48"	7½	1150	37000	35000	32800	30600	28000	70.2	360

See page 3 for further Explosion Proof Motor information. Shutters and Motor Kits are not Explosion Proof. Do not use speed control with HVEX fans.

* = WRHD Heavy Duty Shutter to be used with 5 and 7½ HP Fans



Warning: Cancer and Reproductive Harm www.P65Warnings.ca.gov
This warning is applicable to all products on this page, see page i2 for more information

Direct Drive Fans

HV & HVEX Accessories

Recommended Optional Accessories for Fans with Totally Enclosed Motors & Explosion Proof Motors

EASR Exhaust Shutters

EDP No.	Catalog No.	Ship Wt.
22971	EASR-MF12	3
22973	EASR-MF18	5
22974	EASR-MF20	5
22975	EASR-MF26	9
22976	EASR-MF32	12
22977	EASR-MF38	16
22978	EASR-MF44	20
22979	EASR-MF50	23
22747	WRHD48	

WS Wall Collar

EDP No.	Catalog No.	Ship Wt.
06884	WS12	15
06886	WS18E	20
06894	WS18	19
06887	WS24	31
06888	WS30	45
06889	WS36	61
06890	WS42	89
06891	WS48	112

WC Supply Shutter

EDP No.	Catalog No.	Ship Wt.
22755	WC10	4
22621	WC16	5
22631	WC18	7
22641	WC24	9
22651	WC30	12
22661	WC36	17
22671	WC42	22
22681	WC48	25

Safety Guard Prop Side (Front)

EDP No.	Catalog No.	Ship Wt.
23660	12FG	7
23665	16FG	11
23670	18FG	11
23675	24FG	15
23680	30FG	19
23685	36FG	27
23690	42FG	34
23695	48FG	40

Note: Do not use Shutter Motor Kits with Explosion Proof Motors.
WC Supply Shutters are not weather resistant. It is recommended that the WC be used with a weatherhood.
48" & 54" Shutters - Double Panel Type; 60" - 3 Panel Type;
24"-48" Weatherhoods available
See page 62 for WS Collar Dimensions

Safety Guard Motor Side (Rear)

EDP No.	Catalog No.	Ship Wt.
23605	12RG	15
23610	16RG	21
23615	18RG	23
23620	24RG	28
23625	30RG	37
23630	36RG	64
23635	42RG	75
23640	48RG	85

Note: When an EASR-MF or WC shutter is used for exhaust or supply and mounted remote from the fan, a WS Wall Collar is not needed. The shutter is installed directly on the wall and a Motor Actuator Kit must be utilized.
EASR-MF44 and EASR-MF50 are two panel construction.
See page 63 for prop side (front) and motor side (rear) guard dimensions.

Optional Weatherhoods

EDP No.	Catalog No.	Ship Wt.
99915	WH24	67
99916	WH30	168
99917	WH36	206
99921	WH42	231
99923	WH48	303

Note: See page 63 for Weatherhood dimensions

Exhaust Shutter Manual Chain Operator

EDP No.	Catalog No.	Description
80111	Manual Chain Operator	For EASR 1 Panel Shutter
80112	Manual Chain Operator	For EASR 2 Panel Shutters

Motor Kits

EDP No.	Catalog No.	Description
22982	MTR-556 SP	120/240V, for 10"-32" Exhaust Shutters
22983	MTR-556 DP	120/240V, for 36"-48" Exhaust Shutters
22984	MTR-885 DP	120/240V, for 56"-62" Exhaust Shutters
22900	MK5047-B	120/240V, for 9"-36" Supply Shutters
22905	MK5047-C	440V, for 9"-36" Supply Shutters
22908	MK5047-E	550V, for 9"-36" Supply Shutters
22910	MK4782-F	120/420V, for 42"-54" Supply Shutters
22915	MK4782-C	440V, for 42"-54" Supply Shutters
22918	MK4782-E	550V, for 42"-54" Supply Shutters

Please specify voltage needed when ordering.
All units are for single phase operation.

60" Supply Shutter Requires (1) MK-5047 and (1) MK-4782 Motor Kit

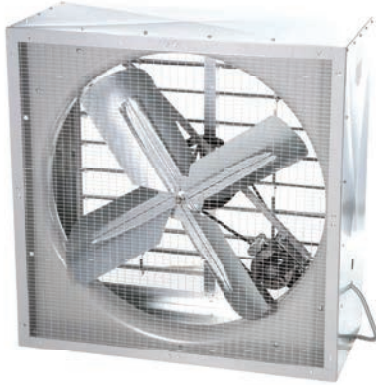
See page 57 for Heavy Duty Shutters
See page 60 for EASR and WC Shutter Selection/Installation Information, Ship Weights and Cautions.



Belt Drive Cabinet Fan with Auto Shutters

115V, 115/230V & 230/460V

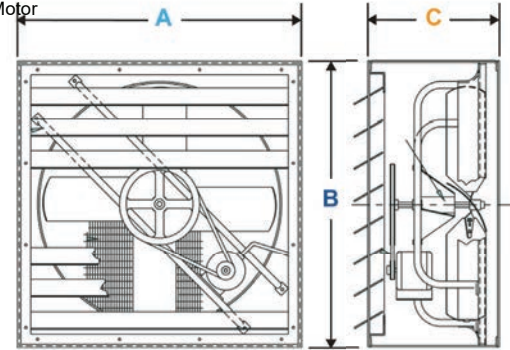
CWF Models



1 Year Warranty

Features

- 115V, 115/230V, 1 Phase & 230/460V 3 Phase Motors
- Explosion Proof Motor Class I Group D; Class II, Groups F & G
- Aluminum Shutters, Inlet Guard, Ball Bearing Motor
- Heavy Gauge Galvanized Steel Housing
- Fully Assembled for Quick Installation



Open Drip Proof (ODP), 115V, 1 Phase

EDP No.	Catalog No.	Prop Dia.	HP	RPM	Capacity (CFM) @ "SP in. W.G.			Cabinet Size			Max. Sones @ 5'	Ship Wt.
					0"	1/8"	1/4"	A	B	C		
39220	CWF-30-2A	30"	1/2	574	6066	3370	2714	36.5"	36.5"	22"	10.99	139
39230	CWF-36-2A	36"	1/2	415	8143	4044	2814	42.5"	42.5"	22"	9.5	150
39240	CWF-42-3A	42"	3/4	413	11039	5950	5397	48.5"	48.5"	22"	12.6	275
39250	CWF-48-4A	48"	1	372	14970	10509	7084	54.5"	54.5"	22"	12.5	310

Totally Enclosed Fan Cooled Motor (TEFC), 115/230V, 1 Phase

EDP No.	Catalog No.	Prop Dia.	HP	RPM	Capacity (CFM) @ "SP in. W.G.			Cabinet Size			Max. Sones @ 5'	Ship Wt.
					0"	1/8"	1/4"	A	B	C		
39236	CWF-36-3AS1E	36"	3/4	415	8143	4044	2814	42.5"	42.5"	25"	9.5	177
39257	CWF-48-4A1E	48"	1	372	14970	10509	7084	54.5"	54.5"	25"	12.5	341

Totally Enclosed Fan Cooled Motor (TEFC), 230/460V, 3 Phase

EDP No.	Catalog No.	Prop Dia.	HP	RPM	Capacity (CFM) @ "SP in. W.G.			Cabinet Size			Max. Sones @ 5'	Ship Wt.
					0"	1/8"	1/4"	A	B	C		
39223	CWF-30-2A3E	30"	1/2	574	6066	3370	2714	36.5"	36.5"	25"	10.9	153
39237	CWF-36-2A3E	36"	1/2	415	8143	4044	2814	42.5"	42.5"	25"	9.5	181
39247	CWF-42-3A3E	42"	3/4	413	11039	5950	5397	48.5"	48.5"	25"	12.6	297
39255	CWF-48-4A3E	48"	1	372	14970	10509	7084	54.5"	54.5"	25"	12.5	341

Explosion Proof Motor (EXP), 115/230V, 1 Phase

EDP No.	Catalog No.	Prop Dia.	HP	RPM	Capacity (CFM) @ "SP in. W.G.			Cabinet Size			Max. Sones @ 5'	Ship Wt.
					0"	1/8"	1/4"	A	B	C		
39225	CWF-30-2A1X	30"	1/2	574	6066	3370	2714	36.5"	36.5"	25"	10.9	168
39234	CWF-36-2A1X	36"	1/2	415	8143	4044	2814	42.5"	42.5"	25"	9.5	181
39241	CWF-42-3A1X	42"	3/4	413	11039	5950	5397	48.5"	48.5"	25"	12.6	317
39246	CWF-48-4A1X	48"	1	372	14970	10509	7084	54.5"	54.5"	25"	12.5	353

See page 3 for further Explosion Proof Motor Information.



Warning: Cancer and Reproductive Harm www.P65Warnings.ca.gov
This warning is applicable to all products on this page, see page i2 for more information

Low Pressure Belt Drive Exhaust Fans

115V, 230/460V

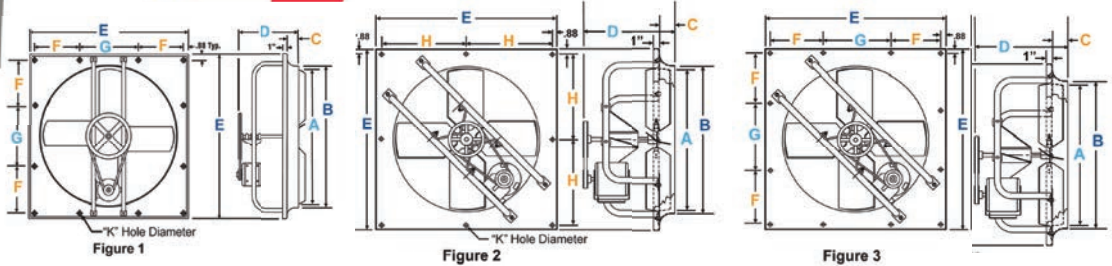
PB Models

1 Year Warranty

Features

- For Supply Duty, add "S" prefix to EDP Number and use list price divided by 0.80.
- If used for Supply, a Motor Actuator Kit must be Utilized with a shutter
- Fans with Motor and Drive Shipped Mounted
- Completely Assembled - Ready to Install
- Available for Exhaust or Supply
- Economy Wall Exhaust Fan

Supply Duty are custom orders: non-cancellable, non-returnable once in production



Dimensions

Prop Dia.	See Figure	A	B	C	D	E	F	G	H	K	# OF HOLES
24"	2	24	24.5	2.5	17.875	30	---	---	14.12	0.62	8
30"	2	30	30.5	3.63	18.375	36	---	---	17.12		8
36"	3	36	36.5	3.5	18.625	42	10	20.25	---	0.62	12
42"	1	42	42.5	3.25	24.75	48	13	20.25	---		12
48"	1	48	48.5	3.25	24.75	54	16	20.25	---		12

Motor Voltage Key		
1 Phase	2 Speed	115V
3 Phase	1 Speed	230/460V

EDP No.	Catalog No.	Prop Dia.	HP	Fan RPM	Capacity (CFM) @ "SP		Max. Sones @ 5'	Ship Wt.
					0"	1/8"		
25602	PB24RA-F1A	24"	1/3	710	4973	3862	10.21	53
25612	PB24RA-G1A	24"	1/2	850	5953	5001	14.2	55
25811	PB24RA-G8A	24"	1/2	850	5953	5001	14.2	59
25622	PB30RA-F1A	30"	1/3	510	7012	5163	9.0	60
25632	PB30RA-G1A	30"	1/2	600	8249	6720	11.7	64
25831	PB30RA-G8A	30"	1/2	600	8249	6720	11.7	59
25652	PB36RA-F1A	36"	1/3	375	9048	6980	8.5	69
25662	PB36RA-G1A	36"	1/2	440	10616	8120	11.5	72
25861	PB36RA-G8A	36"	1/2	440	10616	8120	11.5	69
25682	PB42R-F1A	42"	1/3	340	10808	6812	8.4	97
25692	PB42RA-G1A	42"	1/2	386	12271	9304	10.8	100
25891	PB42RA-G8A	42"	1/2	386	12271	9304	10.8	98
25702	PB42RA-H3A	42"	3/4	445	14146	11672	14.0	109
25712	PB42RA-I3A	42"	1	495	15736	13568	16.8	107
25911	PB42RA-I8A	42"	1	495	15736	13568	16.8	105
25722	PB48RA-G1A	48"	1/2	320	14609	10154	10.1	110
25921	PB48RA-G8A	48"	1/2	320	14609	10154	10.1	112
25732	PB48RA-H3A	48"	3/4	370	16891	13393	15.0	115
25742	PB48RA-I3A	48"	1	406	18535	15457	16.8	125
25941	PB48RA-I8A	48"	1	406	18535	15457	16.8	127



High Pressure Belt Driven Fans

HA Models



1 Year Warranty

Features

- Available for Exhaust or Supply
- Precision Balanced Propellers
- Energy Efficient
- Epoxy Coated
- Quiet



Catalog No.	Prop Dia.	HP	Fan RPM	Max BHP	Capacity (CFM) @ "SP					Max. Sones @ 5'	Ship Wt.	See Page
					0"	1/8"	1/4"	3/8"	1/2"			
HA24CA	24"	1/4	746	0.28	4398	3745	---	---	---	12.4	70	63
HA24DA	24"	1/3	805	0.37	4746	4210	2885	---	---	12.9	80	63
HA24FA	24"	1/2	980	0.64	5778	5409	4617	---	---	18.4	85	63
HA24HA	24"	3/4	1080	0.86	6367	6049	5502	4428	---	22.6	92	63
HA24JA	24"	1	1180	1.14	6957	6674	6257	5453	4462	26.3	111	64
HA24KA	24"	1½	1340	1.63	7900	7658	7349	6867	6067	34.0	121	64
HA30DA	30"	1/3	530	0.36	6518	4821	2608	---	---	8.8	98	64
HA30FA	30"	1/2	640	0.55	7871	6735	4669	---	---	12.8	103	64
HA30HA	30"	3/4	730	0.85	8978	8080	6439	4690	---	19.3	108	65
HA30JA	30"	1	820	1.14	10085	9333	8114	6425	---	20.8	127	65
HA30KA	30"	1½	930	1.67	11438	10804	9913	8579	7089	28.2	136	65
HA36FA	36"	1/2	561	0.56	9720	8211	5602	---	---	14.0	122	65
HA36HA	36"	3/4	650	0.83	11262	10143	7951	---	---	18.1	128	66
HA36JA	36"	1	720	1.10	12475	11533	9805	---	---	21.8	148	66
HA36KA	36"	1½	820	1.65	14207	13429	12223	10377	---	26.3	157	66
HA36MA	36"	2	890	2.15	15420	14721	13739	12219	10464	30.3	172	66
HA42FA	42"	1/2	410	0.58	12797	9882	---	---	---	12.0	169	67
HA42HA	42"	3/4	453	0.83	14139	11686	7833	---	---	14.4	170	67
HA42JA	42"	1	500	1.08	15606	13517	10254	---	---	17.1	215	67
HA42KA	42"	1½	583	1.66	18197	16533	14113	---	---	21.1	225	67
HA42MA	42"	2	635	2.20	19820	18339	16298	13666	---	24.8	235	68
HA42OA	42"	3	725	3.28	22629	21378	19787	17760	15381	31.8	255	68
HA48HA	48"	3/4	395	0.86	17392	14182	---	---	---	15.9	223	68
HA48JA	48"	1	420	1.13	18493	15544	10953	---	---	16.6	225	68
HA48KA	48"	1½	485	1.67	21335	18883	15665	---	---	23.4	230	69
HA48MA	48"	2	535	2.31	23556	20848	18132	14264	---	26.1	245	69
HA48OA	48"	3	610	3.43	26858	24896	22832	20205	---	35.5	265	69
HA48PA	48"	5	690	4.79	30381	28610	26909	24888	22419	53.9	285	69
HA54JA	54"	1	301	1.11	21524	17049	8814	---	---	12.6	310	70
HA54KA	54"	1½	353	1.65	25243	21902	15939	---	---	16.2	313	70
HA54MA	54"	2	383	2.20	27388	24450	19521	12944	---	18.7	320	70
HA54OA	54"	3	437	3.31	31250	28802	25241	20099	14178	23.4	370	70
HA54PA	54"	5	527	5.50	37686	35717	33353	30099	25907	31.8	385	71
HA54QA	54"	7½	600	8.13	42906	41174	39308	36935	33896	41.4	455	71
HA60KA	60"	1½	295	1.64	28923	24368	16985	---	---	22.1	395	71
HA60MA	60"	2	328	2.20	32158	28269	22401	---	---	26.1	400	71
HA60OA	60"	3	373	3.29	36570	33294	28826	22824	---	30.3	450	72
HA60PA	60"	5	447	5.50	43825	41170	38024	33975	---	44.3	465	72
HA60QA	60"	7½	510	8.18	50002	47680	45165	42090	38385	57.2	535	72
HA60RA	60"	10	570	11.31	55885	53786	51667	49180	46262	68.5	555	72



High Pressure Belt Driven Fans

HA Models and Accessories

Catalog No.	Prop Dia.	HP	Fan RPM	Max BHP	Capacity (CFM) @ "SP					Max. Sones @ 5'	Ship Wt.
					0"	1/8"	1/4"	3/8"	1/2"		
HA24CA	24"	1/4	746	0.28	4398	3745	---	---	---	12.4	70
	EDP No.	Volt	Phase	Speed	Motor	Optional Accessories			EDP No.	Catalog No.	
	42506	230/460	3	1	TE	Exhaust Shutter			22975	EASRMF-26	
	95100	---	---	---	Less Motor & Drive	Supply Shutter			22641	WC24	
							Wall Collar			06887	WS24
							Rear Safety Guard			23620	24RG
						Front Safety Guard			23675	24FG	
HA24DA	24"	1/3	805	0.37	4746	4210	2885	---	---	12.9	80
	EDP No.	Volt	Phase	Speed	Motor	Optional Accessories			EDP No.	Catalog No.	
	42518	115/230	1	1	TE	Exhaust Shutter			22975	EASRMF-26	
	42521	230/460	3	1	TE	Supply Shutter			22641	WC24	
	95100	---	---	---	Less Motor & Drive	Wall Collar			06887	WS24	
							Rear Safety Guard			23620	24RG
						Front Safety Guard			23675	24FG	
HA24FA	24"	1/2	980	0.64	5778	5409	4617	---	---	18.4	85
	EDP No.	Volt	Phase	Speed	Motor	Optional Accessories			EDP No.	Catalog No.	
	42539	115/230	1	1	TE	Exhaust Shutter			22975	EASRMF-26	
	42542	230/460	3	1	TE	Supply Shutter			22641	WC24	
	95100	---	---	---	Less Motor & Drive	Wall Collar			06887	WS24	
							Rear Safety Guard			23620	24RG
						Front Safety Guard			23675	24FG	
HA24HA	24"	3/4	1080	0.86	6367	6049	5502	4428	---	22.6	92
	EDP No.	Volt	Phase	Speed	Motor	Optional Accessories			EDP No.	Catalog No.	
	42554	115/230	1	1	TE	Exhaust Shutter			22975	EASRMF-26	
	42557	230/460	3	1	TE	Supply Shutter			22641	WC24	
	95100	---	---	---	Less Motor & Drive	Wall Collar			06887	WS24	
							Rear Safety Guard			23620	24RG
						Front Safety Guard			23675	24FG	

High Pressure Belt Driven Fans

HA Models and Accessories

Catalog No.	Prop Dia.	HP	Fan RPM	Max BHP	Capacity (CFM) @ "SP					Max. Sones @ 5'	Ship Wt.
					0"	1/8"	1/4"	3/8"	1/2"		
HA24JA	24"	1	1180	1.14	6957	6674	6257	5453	4462	26.3	111
	EDP No.	Volt	Phase	Speed	Motor	Optional Accessories			EDP No.	Catalog No.	
	42569	115/230	1	1	TE	Exhaust Shutter			22975	EASRMF-26	
	42572	230/460	3	1	TE	Supply Shutter			22641	WC24	
	95100	---	---	---	Less Motor & Drive	Wall Collar			06887	WS24	
						Rear Safety Guard			23620	24RG	
						Front Safety Guard			23675	24FG	
HA24KA	24"	1½	1340	1.63	7900	7658	7349	6867	6067	34.0	121
	EDP No.	Volt	Phase	Speed	Motor	Optional Accessories			EDP No.	Catalog No.	
	42584	115/230	1	1	TE	Exhaust Shutter			22975	EASRMF-26	
	42587	230/460	3	1	TE	Supply Shutter			22641	WC24	
	95100	---	---	---	Less Motor & Drive	Wall Collar			06887	WS24	
						Rear Safety Guard			23620	24RG	
						Front Safety Guard			23675	24FG	
HA30DA	30"	1/3	530	0.36	6518	4821	2608	---	---	8.8	98
	EDP No.	Volt	Phase	Speed	Motor	Optional Accessories			EDP No.	Catalog No.	
	42596	115/230	1	1	TE	Exhaust Shutter			22976	EASRMF-32	
	42599	230/460	3	1	TE	Supply Shutter			22651	WC30	
	95104	---	---	---	Less Motor & Drive	Wall Collar			06888	WS30	
						Rear Safety Guard			23625	30RG	
						Front Safety Guard			23680	30FG	
HA30FA	30"	1/2	640	0.55	7871	6735	4669	---	---	12.8	103
	EDP No.	Volt	Phase	Speed	Motor	Optional Accessories			EDP No.	Catalog No.	
	42618	115/230	1	1	TE	Exhaust Shutter			22976	EASRMF-32	
	42621	230/460	3	1	TE	Supply Shutter			22651	WC30	
	95104	---	---	---	Less Motor & Drive	Wall Collar			06888	WS30	
						Rear Safety Guard			23625	30RG	
						Front Safety Guard			23680	30FG	



High Pressure Belt Driven Fans

HA Models and Accessories

Catalog No.	Prop Dia.	HP	Fan RPM	Max BHP	Capacity (CFM) @ "SP					Max. Sones @ 5'	Ship Wt.
					0"	1/8"	1/4"	3/8"	1/2"		
HA30HA	30"	3/4	730	0.85	8978	8080	6439	4690	---	19.3	108
	EDP No.	Volt	Phase	Speed	Motor	Optional Accessories			EDP No.	Catalog No.	
	42630	115/230	1	1	TE	Exhaust Shutter			22976	EASRMF-32	
	42633	230/460	3	1	TE	Supply Shutter			22651	WC30	
	95104	---	---	---	Less Motor & Drive	Wall Collar			06888	WS30	
						Rear Safety Guard			23625	30RG	
						Front Safety Guard			23680	30FG	
HA30JA	30"	1	820	1.14	10085	9333	8114	6425	---	20.8	127
	EDP No.	Volt	Phase	Speed	Motor	Optional Accessories			EDP No.	Catalog No.	
	42648	115/230	1	1	TE	Exhaust Shutter			22976	EASRMF-32	
	42651	230/460	3	1	TE	Supply Shutter			22651	WC30	
	95104	---	---	---	Less Motor & Drive	Wall Collar			06888	WS30	
						Rear Safety Guard			23625	30RG	
						Front Safety Guard			23680	30FG	
HA30KA	30"	1½	930	1.67	11438	10804	9913	8579	7089	28.2	136
	EDP No.	Volt	Phase	Speed	Motor	Optional Accessories			EDP No.	Catalog No.	
	42666	115/230	1	1	TE	Exhaust Shutter			22976	EASRMF-32	
	42669	230/460	3	1	TE	Supply Shutter			22651	WC30	
	95104	---	---	---	Less Motor & Drive	Wall Collar			06888	WS30	
						Rear Safety Guard			23625	30RG	
						Front Safety Guard			23680	30FG	
HA36FA	36"	1/2	561	0.56	9720	8211	5602	---	---	14.0	122
	EDP No.	Volt	Phase	Speed	Motor	Optional Accessories			EDP No.	Catalog No.	
	42678	115/230	1	1	TE	Exhaust Shutter			22977	EASRMF-38	
	42681	230/460	3	1	TE	Supply Shutter			22661	WC36	
	95108	---	---	---	Less Motor & Drive	Wall Collar			06889	WS36	
						Rear Safety Guard			23630	36RG	
						Front Safety Guard			23685	36FG	

High Pressure Belt Driven Fans

HA Models and Accessories

Catalog No.	Prop Dia.	HP	Fan RPM	Max BHP	Capacity (CFM) @ "SP					Max. Sones @ 5'	Ship Wt.
					0"	1/8"	1/4"	3/8"	1/2"		
HA36HA	36"	3/4	650	0.83	11262	10143	7951	---	---	18.1	128
	EDP No.	Volt	Phase	Speed	Motor	Optional Accessories			EDP No.	Catalog No.	
	42696	115/230	1	1	TE	Exhaust Shutter			22977	EASRMF-38	
	42699	230/460	3	1	TE	Supply Shutter			22661	WC36	
	95108	---	---	---	Less Motor & Drive	Wall Collar			06889	WS36	
						Rear Safety Guard			23630	36RG	
						Front Safety Guard			23685	36FG	
HA36JA	36"	1	720	1.10	12475	11533	9805	---	---	21.8	148
	EDP No.	Volt	Phase	Speed	Motor	Optional Accessories			EDP No.	Catalog No.	
	42708	115/230	1	1	TE	Exhaust Shutter			22977	EASRMF-38	
	42711	230/460	3	1	TE	Supply Shutter			22661	WC36	
	95108	---	---	---	Less Motor & Drive	Wall Collar			06889	WS36	
						Rear Safety Guard			23630	36RG	
						Front Safety Guard			23685	36FG	
HA36KA	36"	1½	820	1.65	14207	13429	12223	10377	---	26.3	157
	EDP No.	Volt	Phase	Speed	Motor	Optional Accessories			EDP No.	Catalog No.	
	42732	115/230	1	1	TE	Exhaust Shutter			22977	EASRMF-38	
	42735	230/460	3	1	TE	Supply Shutter			22661	WC36	
	95108	---	---	---	Less Motor & Drive	Wall Collar			06889	WS36	
						Rear Safety Guard			23630	36RG	
						Front Safety Guard			23685	36FG	
HA36MA	36"	2	890	2.15	15420	14721	13739	12219	10464	30.3	172
	EDP No.	Volt	Phase	Speed	Motor	Optional Accessories			EDP No.	Catalog No.	
	42753	230/460	3	1	TE	Exhaust Shutter			22977	EASRMF-38	
	95108	---	---	---	Less Motor & Drive	Supply Shutter			22661	WC36	
							Wall Collar			06889	WS36
						Rear Safety Guard			23630	36RG	
						Front Safety Guard			23685	36FG	



High Pressure Belt Driven Fans

HA Models and Accessories

Catalog No.	Prop Dia.	HP	Fan RPM	Max BHP	Capacity (CFM) @ "SP					Max. Sones @ 5'	Ship Wt.
					0"	1/8"	1/4"	3/8"	1/2"		
HA42FA	42"	1/2	410	0.58	12797	9882	---	---	---	12.0	169
	EDP No.	Volt	Phase	Speed	Motor	Optional Accessories			EDP No.	Catalog No.	
	42762	115/230	1	1	TE	Exhaust Shutter			22978	EASRMF-44	
	42765	230/460	3	1	TE	Supply Shutter			22671	WC42	
	95112	---	---	---	Less Motor & Drive	Wall Collar			06890	WS42	
						Rear Safety Guard			23635	42RG	
						Front Safety Guard			23690	42FG	
HA42HA	42"	3/4	453	0.83	14139	11686	7833	---	---	14.4	170
	EDP No.	Volt	Phase	Speed	Motor	Optional Accessories			EDP No.	Catalog No.	
	42774	115/230	1	1	TE	Exhaust Shutter			22978	EASRMF-44	
	42777	230/460	3	1	TE	Supply Shutter			22671	WC42	
	95112	---	---	---	Less Motor & Drive	Wall Collar			06890	WS42	
						Rear Safety Guard			23635	42RG	
						Front Safety Guard			23690	42FG	
HA42JA	42"	1	500	1.08	15606	13517	10254	---	---	17.1	215
	EDP No.	Volt	Phase	Speed	Motor	Optional Accessories			EDP No.	Catalog No.	
	42786	115/230	1	1	TE	Exhaust Shutter			22978	EASRMF-44	
	42789	230/460	3	1	TE	Supply Shutter			22671	WC42	
	95112	---	---	---	Less Motor & Drive	Wall Collar			06890	WS42	
						Rear Safety Guard			23635	42RG	
						Front Safety Guard			23690	42FG	
HA42KA	42"	1½	583	1.66	18197	16533	14113	---	---	21.1	225
	EDP No.	Volt	Phase	Speed	Motor	Optional Accessories			EDP No.	Catalog No.	
	42807	115/230	1	1	TE	Exhaust Shutter			22978	EASRMF-44	
	42810	230/460	3	1	TE	Supply Shutter			22671	WC42	
	95112	---	---	---	Less Motor & Drive	Wall Collar			06890	WS42	
						Rear Safety Guard			23635	42RG	
						Front Safety Guard			23690	42FG	

High Pressure Belt Driven Fans

HA Models and Accessories

Catalog No.	Prop Dia.	HP	Fan RPM	Max BHP	Capacity (CFM) @ "SP					Max. Sones @ 5'	Ship Wt.
					0"	1/8"	1/4"	3/8"	1/2"		
HA42MA	42"	2	635	2.20	19820	18339	16298	13666	---	24.8	235
	EDP No.	Volt	Phase	Speed	Motor	Optional Accessories			EDP No.	Catalog No.	
	42816	230/460	3	1	TE	Exhaust Shutter			22978	EASRMF-44	
	95112	---	---	---	Less Motor & Drive	Supply Shutter			22671	WC42	
							Wall Collar			06890	WS42
							Rear Safety Guard			23635	42RG
						Front Safety Guard			23690	42FG	
HA42OA	42"	3	725	3.28	22629	21378	19787	17760	15381	31.8	255
	EDP No.	Volt	Phase	Speed	Motor	Optional Accessories			EDP No.	Catalog No.	
	42825	230/460	3	1	TE	Exhaust Shutter			22978	EASRMF-44	
	95112	---	---	---	Less Motor & Drive	Supply Shutter			22671	WC42	
							Wall Collar			06890	WS42
							Rear Safety Guard			23635	42RG
						Front Safety Guard			23690	42FG	
HA48HA	48"	3/4	395	0.86	17392	14182	---	---	---	15.9	223
	EDP No.	Volt	Phase	Speed	Motor	Optional Accessories			EDP No.	Catalog No.	
	42834	115/230	1	1	TE	Exhaust Shutter			22979	EASRMF-50	
	42837	230/460	3	1	TE	Supply Shutter			22681	WC48	
	95116	---	---	---	Less Motor & Drive	Wall Collar			06891	WS48	
							Rear Safety Guard			23640	48RG
						Front Safety Guard			23695	48FG	
HA48JA	48"	1	420	1.13	18493	15544	10953	---	---	16.6	225
	EDP No.	Volt	Phase	Speed	Motor	Optional Accessories			EDP No.	Catalog No.	
	42846	115/230	1	1	TE	Exhaust Shutter			22979	EASRMF-50	
	42849	230/460	3	1	TE	Supply Shutter			22681	WC48	
	95116	---	---	---	Less Motor & Drive	Wall Collar			06891	WS48	
							Rear Safety Guard			23640	48RG
						Front Safety Guard			23695	48FG	



High Pressure Belt Driven Fans

HA Models and Accessories

Catalog No.	Prop Dia.	HP	Fan RPM	Max BHP	Capacity (CFM) @ "SP					Max. Sones @ 5'	Ship Wt.
					0"	1/8"	1/4"	3/8"	1/2"		
	48"	1½	485	1.67	21335	18883	15665	---	---	23.4	230
	EDP No.	Volt	Phase	Speed	Motor	Optional Accessories			EDP No.	Catalog No.	
HA48KA	42861	115/230	1	1	TE	Exhaust Shutter			22979	EASRMF-50	
	42864	230/460	3	1	TE	Supply Shutter			22681	WC48	
	95116	---	---	---	Less Motor & Drive	Wall Collar			06891	WS48	
						Rear Safety Guard			23640	48RG	
						Front Safety Guard			23695	48FG	
	48"	2	535	2.31	23556	20848	18132	14264	---	26.1	245
	EDP No.	Volt	Phase	Speed	Motor	Optional Accessories			EDP No.	Catalog No.	
HA48MA	42876	230/460	3	1	TE	Exhaust Shutter			22979	EASRMF-50	
	95116	---	---	---	Less Motor & Drive	Supply Shutter			22681	WC48	
						Wall Collar			06891	WS48	
						Rear Safety Guard			23640	48RG	
						Front Safety Guard			23695	48FG	
	48"	3	610	3.43	26858	24896	22832	20205	---	35.5	265
	EDP No.	Volt	Phase	Speed	Motor	Optional Accessories			EDP No.	Catalog No.	
HA48OA	42891	230/460	3	1	TE	Exhaust Shutter			22979	EASRMF-50	
	95116	---	---	---	Less Motor & Drive	Supply Shutter			22681	WC48	
						Wall Collar			06891	WS48	
						Rear Safety Guard			23640	48RG	
						Front Safety Guard			23695	48FG	
	48"	5	690	4.79	30381	28610	26909	24888	22419	53.9	285
	EDP No.	Volt	Phase	Speed	Motor	Optional Accessories			EDP No.	Catalog No.	
HA48PA	42903	230/460	3	1	TE	Exhaust Shutter			22747	WRHD48	
	95116	---	---	---	Less Motor & Drive	Supply Shutter			22681	WC48	
						Wall Collar			06891	WS48	
						Rear Safety Guard			23640	48RG	
						Front Safety Guard			23695	48FG	

High Pressure Belt Driven Fans

HA Models and Accessories

Catalog No.	Prop Dia.	HP	Fan RPM	Max BHP	Capacity (CFM) @ "SP					Max. Sones @ 5'	Ship Wt.
					0"	1/8"	1/4"	3/8"	1/2"		
HA54JA	54"	1	301	1.11	21524	17049	8814	---	---	12.6	310
	EDP No.	Volt	Phase	Speed	Motor	Optional Accessories			EDP No.	Catalog No.	
	42915	115/230	1	1	TE	Exhaust Shutter			22980	EASRMF-56	
	42918	230/460	3	1	TE	Supply Shutter			22691	WC54	
	95120	---	---	---	Less Motor & Drive	Wall Collar			06892	WS54	
						Rear Safety Guard			23645	54RG	
						Front Safety Guard			23700	54FG	
HA54KA	54"	1½	353	1.65	25243	21902	15939	---	---	16.2	313
	EDP No.	Volt	Phase	Speed	Motor	Optional Accessories			EDP No.	Catalog No.	
	42927	115/230	1	1	TE	Exhaust Shutter			22980	EASRMF-56	
	42930	230/460	3	1	TE	Supply Shutter			22691	WC54	
	95120	---	---	---	Less Motor & Drive	Wall Collar			06892	WS54	
						Rear Safety Guard			23645	54RG	
						Front Safety Guard			23700	54FG	
HA54MA	54"	2	383	2.20	27388	24450	19521	12944	---	18.7	320
	EDP No.	Volt	Phase	Speed	Motor	Optional Accessories			EDP No.	Catalog No.	
	42936	230/460	3	1	TE	Exhaust Shutter			22980	EASRMF-56	
	95120	---	---	---	Less Motor & Drive	Supply Shutter			22691	WC54	
							Wall Collar			06892	WS54
						Rear Safety Guard			23645	54RG	
						Front Safety Guard			23700	54FG	
HA54OA	54"	3	437	3.31	31250	28802	25241	20099	14178	23.4	370
	EDP No.	Volt	Phase	Speed	Motor	Optional Accessories			EDP No.	Catalog No.	
	42942	230/460	3	1	TE	Exhaust Shutter			22980	EASRMF-56	
	95120	---	---	---	Less Motor & Drive	Supply Shutter			22691	WC54	
							Wall Collar			06892	WS54
						Rear Safety Guard			23645	54RG	
						Front Safety Guard			23700	54FG	



High Pressure Belt Driven Fans

HA Models and Accessories

Catalog No.	Prop Dia.	HP	Fan RPM	Max BHP	Capacity (CFM) @ "SP					Max. Sones @ 5'	Ship Wt.
					0"	1/8"	1/4"	3/8"	1/2"		
HA54PA	54"	5	527	5.50	37686	35717	33353	30099	25907	31.8	385
	EDP No.	Volt	Phase	Speed	Motor	Optional Accessories			EDP No.	Catalog No.	
	42951	230/460	3	1	TE	Exhaust Shutter			22748	WRHD54	
	95120	---	---	---	Less Motor & Drive	Supply Shutter			22691	WC54	
						Wall Collar			06892	WS54	
						Rear Safety Guard			23645	54RG	
					Front Safety Guard			23700	54FG		
HA54QA	54"	7½	600	8.13	42906	41174	39308	36935	33896	41.4	455
	EDP No.	Volt	Phase	Speed	Motor	Optional Accessories			EDP No.	Catalog No.	
	42960	230/460	3	1	TE	Exhaust Shutter			22748	WRHD54	
	95120	---	---	---	Less Motor & Drive	Supply Shutter			22691	WC54	
						Wall Collar			06892	WS54	
						Rear Safety Guard			23645	54RG	
					Front Safety Guard			23700	54FG		
HA60KA	60"	1½	295	1.64	28923	24368	16985	---	---	22.1	395
	EDP No.	Volt	Phase	Speed	Motor	Optional Accessories			EDP No.	Catalog No.	
	42969	115/230	1	1	TE	Exhaust Shutter			22981	EASRMF-62	
	42972	230/460	3	1	TE	Supply Shutter			22701	WC60	
	95124	---	---	---	Less Motor & Drive	Wall Collar			06893	WS60	
						Rear Safety Guard			23650	60RG	
					Front Safety Guard			23705	60FG		
HA60MA	60"	2	328	2.20	32158	28269	22401	---	---	26.1	400
	EDP No.	Volt	Phase	Speed	Motor	Optional Accessories			EDP No.	Catalog No.	
	42981	230/460	3	1	TE	Exhaust Shutter			22981	EASRMF-62	
	95124	---	---	---	Less Motor & Drive	Supply Shutter			22701	WC60	
						Wall Collar			06893	WS60	
						Rear Safety Guard			23650	60RG	
					Front Safety Guard			23705	60FG		

High Pressure Belt Driven Fans

HA Models and Accessories

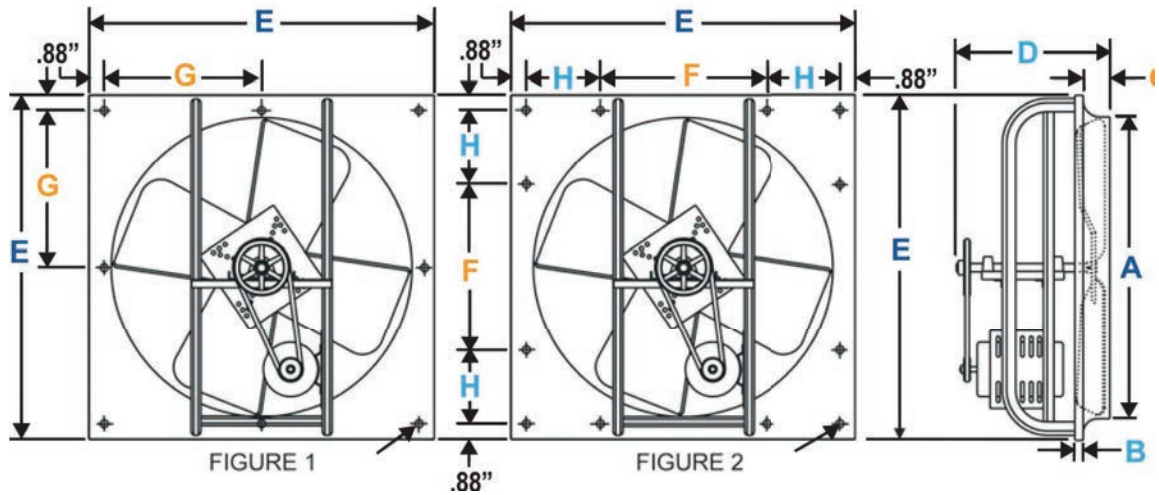
Catalog No.	Prop Dia.	HP	Fan RPM	Max BHP	Capacity (CFM) @ "SP					Max. Sones @ 5'	Ship Wt.
					0"	1/8"	1/4"	3/8"	1/2"		
HA60OA	60"	3	373	3.29	36570	33294	28826	22824	---	30.3	450
	EDP No.	Volt	Phase	Speed	Motor	Optional Accessories			EDP No.	Catalog No.	
	42990	230/460	3	1	TE	Exhaust Shutter			22981	EASRMF-62	
	95124	---	---	---	Less Motor & Drive	Supply Shutter			22701	WC60	
							Wall Collar			06893	WS60
							Rear Safety Guard			23650	60RG
						Front Safety Guard			23705	60FG	
HA60PA	60"	5	447	5.50	43825	41170	38024	33975	---	44.3	465
	EDP No.	Volt	Phase	Speed	Motor	Optional Accessories			EDP No.	Catalog No.	
	43005	230/460	3	1	TE	Exhaust Shutter			22749	WRHD60	
	95124	---	---	---	Less Motor & Drive	Supply Shutter			22701	WC60	
							Wall Collar			06893	WS60
							Rear Safety Guard			23650	60RG
						Front Safety Guard			23705	60FG	
HA60QA	60"	7½	510	8.18	50002	47680	45165	42090	38385	57.2	535
	EDP No.	Volt	Phase	Speed	Motor	Optional Accessories			EDP No.	Catalog No.	
	43017	230/460	3	1	TE	Exhaust Shutter			22749	WRHD60	
	95124	---	---	---	Less Motor & Drive	Supply Shutter			22701	WC60	
							Wall Collar			06893	WS60
							Rear Safety Guard			23650	60RG
						Front Safety Guard			23705	60FG	
HA60RA	60"	10	570	11.31	55885	53786	51667	49180	46262	68.5	555
	EDP No.	Volt	Phase	Speed	Motor	Optional Accessories			EDP No.	Catalog No.	
	43026	230/460	3	1	TE	Exhaust Shutter			22749	WRHD60	
	95124	---	---	---	Less Motor & Drive	Supply Shutter			22701	WC60	
							Wall Collar			06893	WS60
							Rear Safety Guard			23650	60RG
						Front Safety Guard			23705	60FG	



HA Model

WR Heavy Duty Exhaust Shutters

EDP No.	Catalog No.	Shutter Size	Number of Panels	Motor Kit (Required number for WRHD)
22746	WRHD42	44" x 44"	2	MK-4621 (1)
22747	WRHD48	50" x 50"	2	MK-4621 (1)
22748	WRHD54	56" x 56"	2	MK-4621 (1)
22749	WRHD60	62" x 62"	3	MK-4620 & MK-4621



HA Model Dimensions

Model	See Figure	Dimensions (in.)								Number of Holes
		A	B	C	D	E	F	G	H	
HA24	1	24-7/16	1	2½	15-3/16	30	---	14 ⅛	---	8
HA30	1	30 ½	1	2 ⅝	18 ⅝	36	---	17 ⅛	---	8
HA36	1	36 ½	1 ½	3 ¼	19 ⅞	42	---	20 ⅞	---	8
HA42	2	42 ½	2	3 ¼	23 ¾	48	18 ¼	---	14	12
HA48	2	48 ½	2	3 ¼	24 ⅞	54	18 ¼	---	17	12
HA54	2	54 ½	2	3 ¼	23-7/16	60	18 ¼	---	20	12
HA60	2	60 ½	2	3 ¼	23-7/16	66	18 ¼	---	23	12

Shutters and Wall Collars

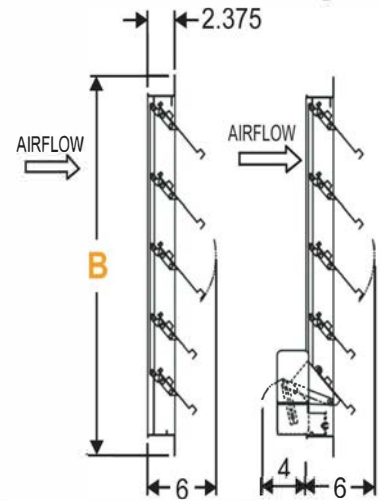
EASR & WC Shutters

Aluminum Exhaust & Supply Shutters



Features

- Indoor / Outdoor, Wall / Ceiling Mounts
- Gravity Closes when Fan is Turned Off
- Opens with Fan Pressure



EDP No.	Catalog No.	Type	For Fans Diameter	Inside (A)	Outside (B)	Required Opening (Sq. In.)	No. Holes 17/64" Diameter	Sections (Panels)	Motor Kits	Ship Wt.
22970	EASR-MF10	Exhaust	10"	10" Sq.	13" Sq.	10 3/4"	8	1	MTR-556-SP	3
22971	EASR-MF12	Exhaust	10"	12" Sq.	15" Sq.	12 3/4"	8	1	MTR-556-SP	3
22754	WC9	Supply	10"	11" Sq.	14" Sq.	11 3/4"	8	1	MK-5047	3
22755	WC10	Supply	10"	12" Sq.	15" Sq.	12 3/4"	8	1	MK-5047	4
22972	EASR-MF14	Exhaust	12"	14" Sq.	17" Sq.	14 3/4"	8	1	MTR-556-SP	4
22611	WC12	Supply	12"	14" Sq.	17" Sq.	14 3/4"	8	1	MK-5047	4
22973	EASR-MF18	Exhaust	16"	18" Sq.	21" Sq.	18 3/4"	12	1	MTR-556-SP	5
22621	WC16	Supply	16"	18" Sq.	21" Sq.	18 3/4"	12	1	MK-5047	5
22974	EASR-MF20	Exhaust	18"	20" Sq.	23" Sq.	20 3/4"	12	1	MTR-556-SP	5
22631	WC18	Supply	18"	20" Sq.	23" Sq.	20 3/4"	12	1	MK-5047	7
22975	EASR-MF26	Exhaust	24"	26" Sq.	29" Sq.	26 3/4"	12	1	MTR-556-SP	9
22641	WC24	Supply	24"	26" Sq.	29" Sq.	26 3/4"	12	1	MK-5047	9
22976	EASR-MF32	Exhaust	30"	32" Sq.	35" Sq.	32 3/4"	16	1	MTR-556-SP	12
22651	WC30	Supply	30"	32" Sq.	35" Sq.	32 3/4"	16	1	MK-5047	12
22977	EASR-MF38	Exhaust	36"	38" Sq.	41" Sq.	38 3/4"	16	2	MTR-556-DP	16
22661	WC36	Supply	36"	38" Sq.	41" Sq.	38 3/4"	16	1	MK-5047	17
22978	EASR-MF44	Exhaust	42"	44" Sq.	47" Sq.	44 3/4"	20	2	MTR-556-DP	20
22671	WC42	Supply	42"	44" Sq.	47" Sq.	44 3/4"	20	2	MK-4782	22
22979	EASR-MF50	Exhaust	48"	50" Sq.	53" Sq.	50 3/4"	20	2	MTR-556-DP	23
22681	WC48	Supply	48"	50" Sq.	53" Sq.	50 3/4"	20	2	MK-4782	25
22980	EASR-MF56	Exhaust	54"	56" Sq.	59" Sq.	56 3/4"	24	2	MTR-885-DP	27
22691	WC54	Supply	54"	56" Sq.	59" Sq.	56 3/4"	24	2	MK-4782	28
22981	EASR-MF62	Exhaust	60"	62" Sq.	65" Sq.	62 3/4"	24	2	MTR-885-DP	30
22701	WC60	Supply	60"	62" Sq.	65" Sq.	62 3/4"	24	3	(1) MK-4782 & (1) MK-5047 required	31

EASR-MF44 - EASR-MF52 are two panel construction. If used for Supply Duty, a Motor Actuator Kit must be utilized with shutter.

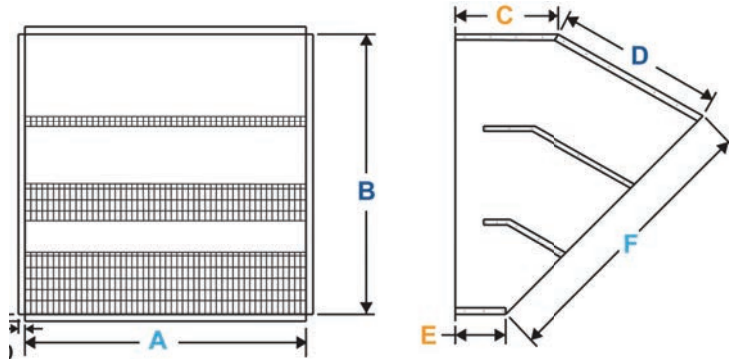
EASR / WC SELECTION / INSTALLATION INFORMATION AND CAUTIONS: The velocity profile near the fan blade tips (spot velocity is non-uniform and will vary by fan model). This spot velocity condition can damage a backdraft damper if it exceeds the maximum recommended backdraft damper velocity. For this reason, it is recommended that the backdraft damper be mounted a minimum of 1/3 the fan diameter away from the fan outlet. It is a good practice to contact the factory when application shave a velocity approaching the maximum allowed or when the fan motor horsepower is 7-1/2 and above, or when the fan spot velocity is in excess of the backdraft damper's maximum velocity. See page 57 for WRHD Heavy Duty Shutter information. **Note:** When an EASR or WC Shutter is used for exhaust or supply and mounted remote from the fan, a WS Wall Collar is not needed. The shutter is installed directly on the wall and a Motor Actuator Kit must be utilized.



Supply Duty Option and Supply Fan Accessories

For EPR, EXG, PD, HV, PB and HA Series Wall Fans

Weather Hoods



Size	Dimensions					
	A	B	C	D	E	F
Hood for 24" Unit	30.50	30.50	15.29	18.06	9.43	30.50
Hood for 30" Unit	36.50	36.50	18.30	21.62	11.28	36.50
Hood for 36" Unit	42.50	42.50	21.31	25.17	13.14	42.50
Hood for 42" Unit	48	48	19.42	28.43	10.19	48
Hood for 48" Unit	54	54	21.04	31.98	10.65	54
Hood for 54" Unit	60	60	22.88	35.54	11.34	60
Hood for 60" Unit	66	66	24.04	38.89	11	66

Supply Duty Information

Airmaster offers a supply duty option for the EPR, EXG, PD, HV, PB and HA series wall fans. The fans are customer built with the venturi facing the motor, allowing the fan to blow air into the building and still have the motor on the inside.

To order a Supply Duty Fan, add "S" to the EDP number and use the list price divided by 0.80.

Supply Duty Fans are custom ordered products and are non-cancelable, non-returnable once in production.

Recommended optional accessories include the WC supply shutters, WS wall collars, WH weather hoods, FG front guards and RG rear guards. See pages 45, 52, 55, 57-61

WC Supply Shutter Selection / Installation Information and Cautions:

The velocity profile near the fan blade tips (spot velocity) is non-uniform and will vary by fan model. This spot velocity condition can damage a backdraft damper if it exceeds the maximum recommended backdraft damper velocity. For this reason, it is recommended that the backdraft damper be mounted a minimum of $\frac{1}{3}$ the fan diameter away from the fan outlet.

For additional help and information, contact Airmaster Fan Engineering Department

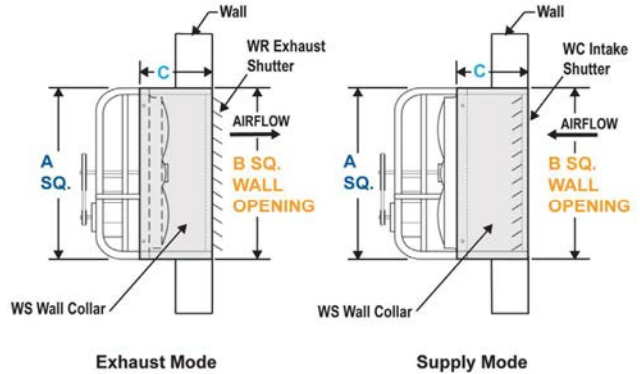
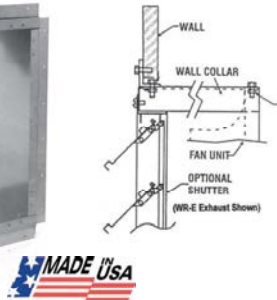


Warning: Cancer and Reproductive Harm www.P65Warnings.ca.gov
This warning is applicable to all products on this page, see page i2 for more information

Shutters, Wall Collars, and Weatherhoods

EASR & WC Shutters

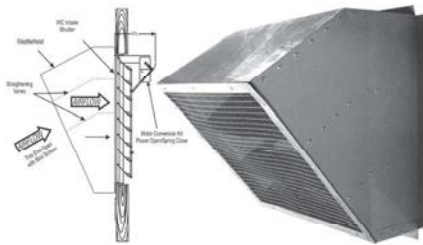
WS Wall Collars



EDP No.	Catalog No.	Prop Dia.	A Sq.	B. Wall Opening	C	Ship Wt.	Exhaust Shutter		Supply Shutter		Safety Motor Side (Rear Guard)	
							EDP	Catalog	EDP	Catalog	EDP	Catalog
06883	WS10	10 EPR	14	15	12	14	22970	EASR-MF10	22754	WC9	---	---
06884	WS12	12	16	17	12	15	22971	EASR-MF12	22755	WC10	23605	12RG
06885	WS16E	16 EPR	20	21	12	20	22972	EASR-MF14	22611	WC12	---	---
06886	WS18E	16	22	23	12	20	22973	EASR-MF18	22621	WC16	23610	16RG
06894	WS18	18	24	25	12	19	22974	EASR-MF20	22631	WC18	23615	18RG
06887	WS24	24	30	31	14	31	22975	EASR-MF26	22641	WC24	23620	24RG
06888	WS30	30	36	37	14 ½	42	22976	EASR-MF32	22651	WC30	23625	30RG
06889	WS36	36	42	43	17	61	22977	EASR-MF38	22661	WC36	23630	36RG
06890	WS42	42	48	49	19	89	22978	EASR-MF44	22671	WC42	23635	42RG
06891	WS48	48	54	55	21	112	22979	EASR-MF50	22681	WC48	23640	48RG
06892	WS54	54	60	61	23	149	22980	EASR-MF56	22691	WC54	23645	54RG
06893	WS60	60	66	67	25	178	22981	EASR-MF62	22701	WC60	23650	60RG

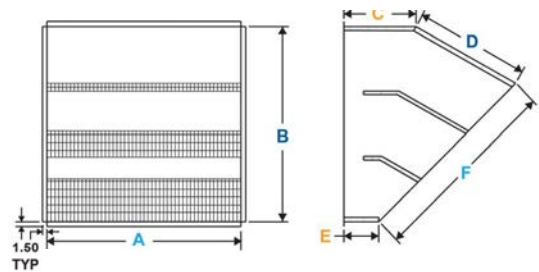
Safety motor side (rear) guards are included on all EPR, and 18" & 24" PD series fans. See page 63 for motor (rear) side guard dimensions. For epoxy coating of Wall Collars, add \$285 to list price. **Notes:** WS wall collars are shipped knocked down. Fan not included with WS wall collars. Wall collars are galvanized.

Weather Hoods



Features

- All Steel Construction
- Turning Vanes
- Bird Screen
- Galvanized



EDP No.	Catalog No.	Size	Dimensions						Ship Weight
			A	B	C	D	E	F	
99915	WH24	Hood for 24" Unit	30.50	30.50	15.29	18.06	9.43	30.50	67
99916	WH30	Hood for 30" Unit	36.50	36.50	18.30	21.62	11.28	36.50	168
99917	WH36	Hood for 36" Unit	42.50	42.50	21.31	25.17	13.14	42.50	206
99921	WH42	Hood for 42" Unit	48	48	19.42	28.43	10.19	48	231
99923	WH48	Hood for 48" Unit	54	54	21.04	31.98	10.65	54	303
99918	WH54	Hood for 54" Unit	60	60	22.88	35.54	11.34	60	342
99919	WH60	Hood for 60" Unit	66	66	24.04	38.89	11	66	384



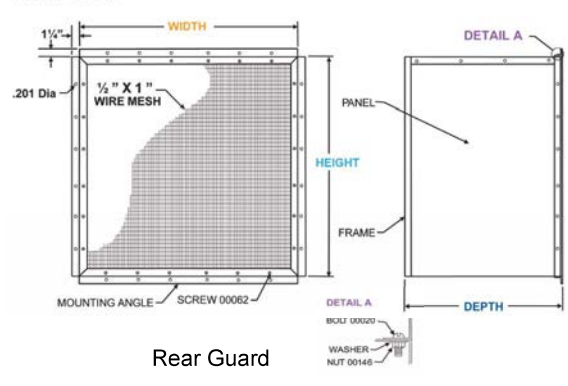
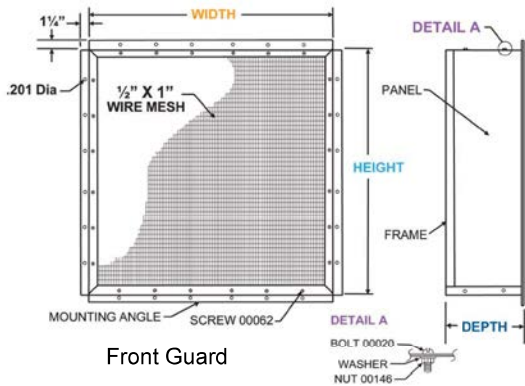
Warning: Cancer and Reproductive Harm www.P65Warnings.ca.gov
This warning is applicable to all products on this page, see page i2 for more information

Guards

FG & RG

Features

- Removable Mounting Flanges on RG Rear Guard
- 1/2" X 1" Wire Mesh Guard
- Shipped Knocked Down
- Easy to Assemble



FG Front Guard

EDP No.	Catalog No.	Height	Width	Depth	Ship Weight
23660	12FG	13.75	13.75	6	7
23665	16FG	19.75	19.75	6	10
23670	18FG	21.75	21.75	6	11
23675	24FG	27.75	27.75	6	15
23680	30FG	33.75	33.75	6	18
23685	36FG	39.75	39.75	6	28
23690	42FG	45.75	45.75	6	35
23695	48FG	51.75	51.75	6	40
23700	54FG	57.75	57.75	6	43
23705	60FG	63.75	63.75	6	48

RG Rear Guard

EDP No.	Catalog No.	Height	Width	Depth	Frame Material	Ship Weight
23605	12RG	16.25	15.25	16	20 Gauge	7
23610	16RG	22.25	22.25	16	20 Gauge	10
23615	18RG	24.25	24.25	16	20 Gauge	11
23620	24RG	30.54	30.54	25	20 Gauge	15
23625	30RG	36.54	36.54	25	18 Gauge	18
23630	36RG	42.57	42.57	28	18 Gauge	28
23635	42RG	48.57	48.57	34.5	18 Gauge	35
23640	48RG	54.57	54.57	36.5	18 Gauge	40
23645	54RG	60.57	60.57	42.5	18 Gauge	43
23650	60RG	66.57	66.57	44.5	18 Gauge	48



For Special Custom Order Products - Once in production non-cancellable, non-returnable under any circumstance.

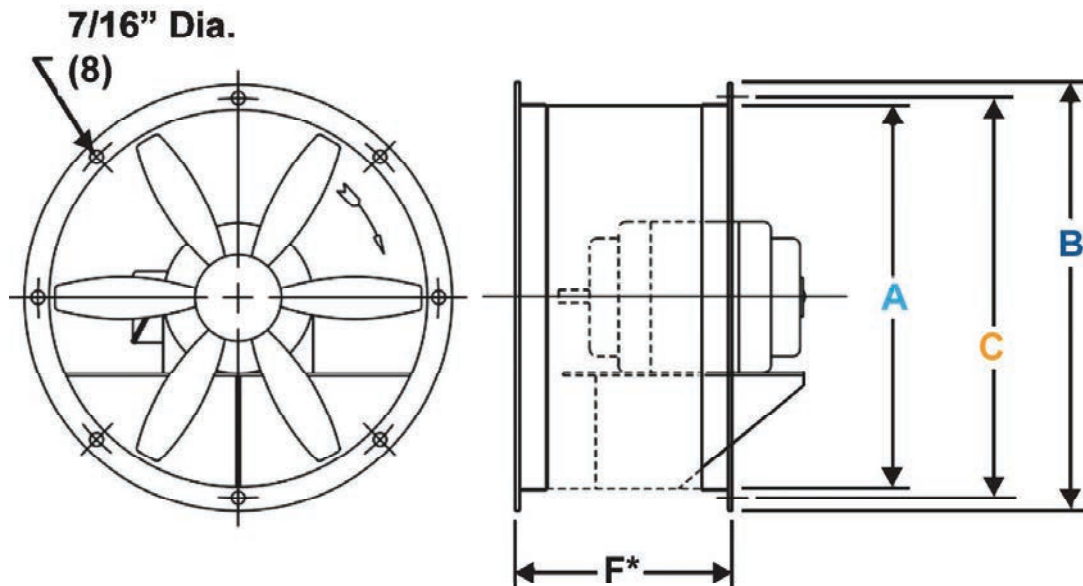
Tube Axial PLDA Models



1 Year Warranty

Features

- Ball Bearing, Standard NEMA Frame Motors
- Spark Resistant Cast Aluminum Propellers
- Fan Easily Mounts in Round Duct



PLDA Model Dimensions

Prop Dia.	Dimensions (in.)			
	A	B	C	F*
12"	12	14	13	14
18"	18	20	19	14
24"	24	27	25 ½	18
27"	27	30	28 ½	18
30"	30	33	31 ½	18
34"	34	37	35 ½	18
42"	42	45	43 ½	18
48"	48	51	49 ½	18



Direct Drive Fans

For Special Custom Order Products - Once in production non-cancellable, non-returnable under any circumstance.

Tube Axial
PLDA Models

Motor Voltage Key	
1 Phase	115/230V
3 Phase	230/460V

Totally Enclosed Single Speed Motor

EDP No.	Catalog No.	Prop Dia.	HP	Fan RPM	Capacity (CFM) @ "SP in. W.G.						Ship Wt.
					0"	1/8"	1/4"	3/8"	1/2"	3/4"	
32002 32003	PLDA12FZ	12"	1/2	3450	1875	1650	1400	1320	1250	1100	41
32008 32009	PLDA12HZ	12"	3/4	3450	2044	1960	1620	1820	1650	1500	50
32014 32015	PLDA18CA	18"	1/4	1725	3450	3050	2500	1200	---	---	60
32020 32021	PLDA18DA	18"	1/3	1725	3315	3000	2600	2000	1400	---	90
32026 32027	PLDA18JA	18"	1	1725	4600	4375	4080	3600	3000	2100	100
32032 32033	PLDA24CA	24"	1/4	1725	5200	4200	2820	1050	---	---	96
32038 32039	PLDA24DC	24"	1/3	1140	4975	4690	4250	3920	2850	---	100
32044 32045	PLDA24FA	24"	1/2	1725	6510	5880	5200	4150	3100	1800	114
32051 32052	PLDA24HC	24"	3/4	1140	6900	6450	6265	5600	3300	---	120
32057 32058	PLDA24JA	24"	1	1725	7425	7000	6350	5850	5000	3300	150
32062	PLDA24OA	24"	3	1725	10500	9800	9500	9100	8700	7800	190
32066 32067	PLDA27FA	27"	1/2	1725	7550	6829	6000	5100	4000	2000	122
32073 32074	PLDA27JA	27"	1	1725	9600	9000	8400	7775	7050	4800	152
32079 32080	PLDA27MA	27"	2	1725	11500	11200	10700	10000	9300	8000	175
32085 32086	PLDA30FA	30"	1/2	1725	8980	7650	6300	5400	4350	2300	128
32091 32092	PLDA30HC	30"	3/4	1140	10440	9750	8750	7640	6000	---	185
32097 32098	PLDA30MA	30"	2	1725	12000	11250	10450	9600	8700	6000	180
32102	PLDA30MC	30"	2	1140	14000	13750	12900	11850	10450	2500	180
32105	PLDA30OA	30"	3	1725	16000	15350	14700	13850	12900	10200	200
32109 32110	PLDA34KA	34"	1½	1725	13350	12100	10000	9100	7300	---	190
32115 32116	PLDA34MA	34"	2	1725	14850	13600	12100	10450	8800	4000	200
32120	PLDA34MC	34"	2	1140	15950	15100	13800	12500	11400	---	200



For Special Custom Order Products - Once in production non-cancellable, non-returnable under any circumstance.

Tube Axial PLDA Models

Motor Voltage Key	
1 Phase	115/230V
3 Phase	230/460V

Totally Enclosed Single Speed Motor

EDP No.	Catalog No.	Prop Dia.	HP	Fan RPM	Capacity (CFM) @ "SP in. W.G.						Ship Wt.
					0"	1/8"	1/4"	3/8"	1/2"	3/4"	
32123	PLDA34OC	34"	3	1140	19300	18290	17230	16000	14800	11614	250
32126	PLDA42JD	42"	1	870	15800	15200	13480	12310	5800	9000	260
32128	PLDA42MC	42"	2	1140	17964	17277	15326	13990	12351	7600	252
32131	PLDA42MD	42"	2	870	22040	21000	20500	18500	15000	6000	260
32133	PLDA42PC	42"	5	1140	28970	27960	26840	25700	24200	19500	300
32136	PLDA48OC	48"	3	1140	28600	26500	24400	22000	20000	15900	290
32138	PLDA48OD	48"	3	870	28700	26500	24200	21600	18500	10000	290
32140	PLDA48PD	48"	5	870	33000	31500	29750	27650	25300	18000	310

Explosion Proof Single Speed Motor

EDP No.	Catalog No.	Prop Dia.	HP	Fan RPM	Capacity (CFM) @ "SP in. W.G.						Ship Wt.
					0"	1/8"	1/4"	3/8"	1/2"	3/4"	
32004	PLDA12FZ	12"	1/2	3450	1875	1650	1400	1320	1250	1100	41
32005											
32010	PLDA12HZ	12"	3/4	3450	2044	1960	1620	1820	1650	1500	50
32011											
32016	PLDA18CA	18"	1/4	1725	3450	3050	2500	1200	---	---	60
32017											
32022	PLDA18DA	18"	1/3	1725	3315	3000	2600	2000	1400	---	90
32023											
32028	PLDA18JA	18"	1	1725	4600	4375	4080	3600	3000	2100	100
32029											
32034	PLDA24CA	24"	1/4	1725	5200	4200	2820	1050	---	---	96
32035											
32040	PLDA24DC	24"	1/3	1140	4975	4690	4250	3920	2850	---	100
32041											
32046	PLDA24FA	24"	1/2	1725	6510	5880	5200	4150	3100	1800	114
32047											
32053	PLDA24HC	24"	3/4	1140	6900	6450	6265	5600	3300	---	120
32054											
32059	PLDA24JA	24"	1	1725	7425	7000	6350	5850	5000	3300	150
32060											
32063	PLDA24OA	24"	3	1725	10500	9800	9500	9100	8700	7800	190
32068	PLDA27FA	27"	1/2	1725	7550	6829	6000	5100	4000	2000	122
32069											
32075	PLDA27JA	27"	1	1725	9600	9000	8400	7775	7050	4800	152
32076											
32081	PLDA27MA	27"	2	1725	11500	11200	10700	10000	9300	8000	175
32082											



Warning: Cancer and Reproductive Harm www.P65Warnings.ca.gov
This warning is applicable to all products on this page, see page i2 for more information



Direct Drive Fans

For Special Custom Order Products - Once in production non-cancellable, non-returnable under any circumstance.

Tube Axial

PLDA Models

Motor Voltage Key

1 Phase 115/230V

3 Phase 230/460V

Explosion Proof Single Speed Motor

EDP No.	Catalog No.	Prop Dia.	HP	Fan RPM	Capacity (CFM) @ "SP in. W.G.						Ship Wt.
					0"	1/8"	1/4"	3/8"	1/2"	3/4"	
32087	PLDA30FA	30"	1/2	1725	8980	7650	6300	5400	4350	2300	128
32088											
32093	PLDA30HC	30"	3/4	1140	10440	9750	8750	7640	6000	---	185
32094											
32100	PLDA30MA	30"	2	1725	12000	11250	10450	9600	8700	6000	180
32103	PLDA30MC	30"	2	1140	14000	13750	12900	11850	10450	2500	180
32106	PLDA30OA	30"	3	1725	16000	15350	14700	13850	12900	10200	200
32111	PLDA34KA	34"	1½	1725	13350	12100	10000	9100	7300	---	190
32112											
32118	PLDA34MA	34"	2	1725	14850	13600	12100	10450	8800	4000	200
32121	PLDA34MC	34"	2	1140	15950	15100	13800	12500	11400	---	200
32124	PLDA34OC	34"	3	1140	19300	18290	17230	16000	14800	11614	250
32129	PLDA42MC	42"	2	1140	17964	17277	15326	13990	12351	7600	252
32134	PLDA42PC	42"	5	1140	28970	27960	26840	25700	24200	19500	300



Tube Axial
PLDA Models
Accessories

EDP No.	Catalog No.	Prop Dia.	Description
32141	PLDA Accessory	12"	Matching Flange (1 ea.)
32146	PLDA Accessory	18"	Matching Flange (1 ea.)
32152	PLDA Accessory	24"	Matching Flange (1 ea.)
32157	PLDA Accessory	27"	Matching Flange (1 ea.)
32162	PLDA Accessory	30"	Matching Flange (1 ea.)
32167	PLDA Accessory	34"	Matching Flange (1 ea.)
32173	PLDA Accessory	42"	Matching Flange (1 ea.)
32178	PLDA Accessory	48"	Matching Flange (1 ea.)
32147	PLDA Accessory	18"	Inspection Door
32153	PLDA Accessory	24"	Inspection Door
32158	PLDA Accessory	27"	Inspection Door
32163	PLDA Accessory	30"	Inspection Door
32168	PLDA Accessory	34"	Inspection Door
32174	PLDA Accessory	42"	Inspection Door
32179	PLDA Accessory	48"	Inspection Door
32143	PLDA Accessory	12"	Guard (each)
32148	PLDA Accessory	18"	Guard (each)
32154	PLDA Accessory	24"	Guard (each)
32159	PLDA Accessory	27"	Guard (each)
32164	PLDA Accessory	30"	Guard (each)
32169	PLDA Accessory	34"	Guard (each)
32175	PLDA Accessory	42"	Guard (each)
32180	PLDA Accessory	48"	Guard (each)
32144	PLDA Accessory	12"	Epoxy Coating
32149	PLDA Accessory	18"	Epoxy Coating
32155	PLDA Accessory	24"	Epoxy Coating
32160	PLDA Accessory	27"	Epoxy Coating
32165	PLDA Accessory	30"	Epoxy Coating
32171	PLDA Accessory	34"	Epoxy Coating
32176	PLDA Accessory	42"	Epoxy Coating
32181	PLDA Accessory	48"	Epoxy Coating
32145	PLDA Accessory	12"	Cont. Weld of Flange to Drum
32151	PLDA Accessory	18"	Cont. Weld of Flange to Drum
32156	PLDA Accessory	24"	Cont. Weld of Flange to Drum
32161	PLDA Accessory	27"	Cont. Weld of Flange to Drum
32166	PLDA Accessory	30"	Cont. Weld of Flange to Drum
32172	PLDA Accessory	34"	Cont. Weld of Flange to Drum
32177	PLDA Accessory	42"	Cont. Weld of Flange to Drum
32182	PLDA Accessory	48"	Cont. Weld of Flange to Drum

Belt Drive Fans

For Special Custom Order Products - Once in production non-cancellable, non-returnable under any circumstance.

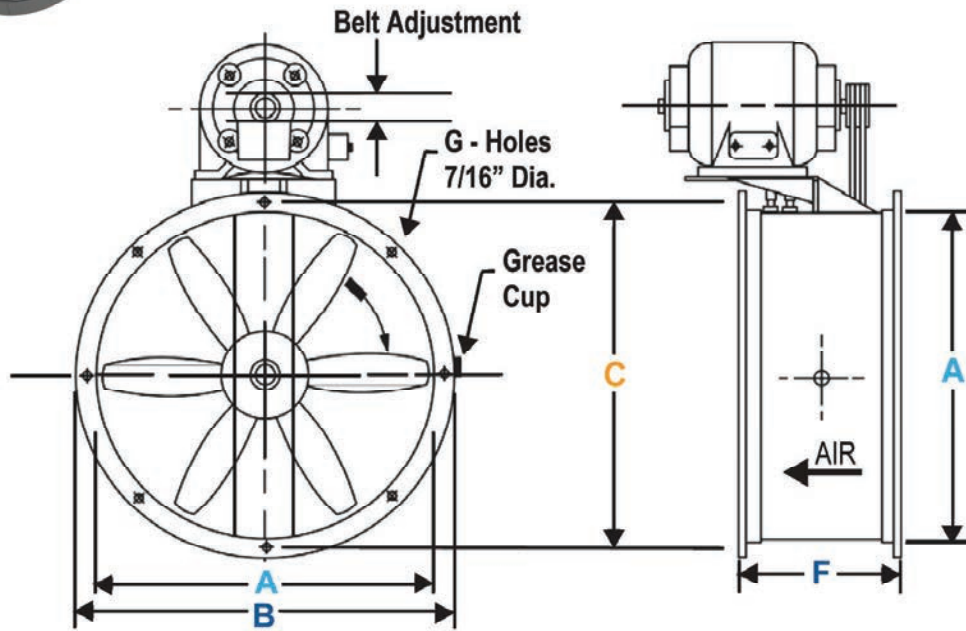
Tube Axial PLDXA Models



1 Year Warranty

Features

- Air Tight Cylinder Protects Belts, Bearings & Pulleys from Contaminated Air
- Spark Resistant Cast Aluminum Propellers
- Fan Easily Mounts in Round Duct
- Adjustable Motor Base



PLDXA Model Dimensions

Model	Dimensions (in.)				
	A	B	C	F	
12"	12	14	13	12	
15"	15	17	16	12	
18"	18	20	19	12	
24"	24	27	25 ½	12	16*
27"	27	30	28 ½	12	16**
30"	30	33	31 ½	12	16**
34"	34	37	35 ½	16	
42"	42	45	43 ½	18	
48"	48	51	49 ½	24	

* - 1 ½ HP & Up
** - 2 HP & Up



For Special Custom Order Products - Once in production non-cancellable, non-returnable under any circumstance.

Tube Axial

PLDXA Models

Totally Enclosed Single Speed Motor

Motor Voltage Key

1 Phase 115/230V

3 Phase 230/460V

EDP No.	Catalog No.	Prop Dia.	HP	Fan RPM	Capacity (CFM) @ "SP in. W.G.						Ship Wt.
					0"	1/8"	1/4"	3/8"	1/2"	3/4"	
32185 32186	PLDXA12CA	12"	1/4	2625	1444	1307	1033	638	380	---	68
32191 32192	PLDXA12FA	12"	1/2	3450	1875	1560	1400	1320	1250	1100	72
32197 32198	PLDXA12HA	12"	3/4	3450	2044	1960	1920	1820	1650	1500	76
32203 32204	PLDXA15CA	15"	1/4	2000	2600	2100	1700	---	---	---	73
32209 32210	PLDXA15DA	15"	1/3	2200	2950	2500	2100	1760	1000	---	75
32215 32216	PLDXA15FA	15"	1/2	1890	3350	3000	2650	2200	1500	---	80
32221 32222	PLDXA15HA	15"	3/4	2200	3900	3700	3400	3100	2700	1150	95
32227 32228	PLDXA18CA	18"	1/4	1600	3050	2500	2000	1200	---	---	80
32233 32234	PLDXA18DA	18"	1/3	1725	3375	3000	2600	2000	1400	---	85
32239 32240	PLDXA18FA	18"	1/2	1890	3850	3500	3100	2500	2000	---	95
32245 32246	PLDXA18JA	18"	1	1725	4600	4375	4080	3600	3000	2100	115
32251 32252	PLDXA18KA	18"	1 1/2	1990	5350	5060	4830	4550	3950	3000	125
32257 32258	PLDXA24FA	24"	1/2	1298	5643	5320	4826	4440	3500	---	125
32263 32264	PLDXA24HA	24"	3/4	1600	6906	6510	5900	5440	4650	2750	130
32269 32270	PLDXA24JA	24"	1	1725	7425	7000	6350	5850	5000	3300	145
32275 32276	PLDXA24KA	24"	1 1/2	1540	8200	7900	7650	7280	6850	5500	150
32281 32282	PLDXA24MA	24"	2	1600	9760	9114	8830	8460	8090	7000	170
32286	PLDXA24OA	24"	3	1725	10500	9800	9500	9100	8700	7800	185
32290 32291	PLDXA27HA	27"	3/4	1250	8330	7814	7550	7070	6500	4650	135
32296 32297	PLDXZ27JA	27"	1	1400	9400	8675	8480	7950	7300	5200	155
32302 32303	PLDXA27KA	27"	1 1/2	1600	10700	10250	9700	9080	8375	6000	160



Belt Drive Fans

For Special Custom Order Products - Once in production non-cancellable, non-returnable under any circumstance.

Tube Axial PLDXA Models

Motor Voltage Key	
1 Phase	115/230V
3 Phase	230/460V

Totally Enclosed Single Speed Motor

EDP No.	Catalog No.	Prop Dia.	HP	Fan RPM	Capacity (CFM) @ "SP in. W.G.						Ship Wt.
					0"	1/8"	1/4"	3/8"	1/2"	3/4"	
32308	PLDXA27MA	27"	2	1350	11500	11200	10700	10000	9300	8000	210
32309					11500	11200	10700	10000	9300	8000	
32314	PLDXA30FA	30"	1/2	1140	8900	7925	6660	4270	2300	---	118
32315					8900	7925	6660	4270	2300	---	
32320	PLDXA30JA	30"	1	1298	9896	8970	7980	6050	4120	---	140
32321					9896	8970	7980	6050	4120	---	
32326	PLDXA30KA	30"	1 1/2	1035	11100	10600	9700	8600	7500	3500	165
32327					11100	10600	9700	8600	7500	3500	
32332	PLDXA30MA	30"	2	1176	12100	11660	11000	10121	9322	6700	200
32333					12100	11660	11000	10121	9322	6700	
32337	PLDXA30OA	30"	3	1350	13480	12982	12498	12042	11465	10380	215
32341	PLDXA34KA	34"	1 1/2	1170	13695	12400	11100	8365	6000	1050	175
32342					13695	12400	11100	8365	6000	1050	
32347	PLDXA34MA	34"	2	1027	14657	13652	12590	11500	10000	8000	210
32348					14657	13652	12590	11500	10000	8000	
32354	PLDXA34OA	34"	3	1175	17580	16750	15896	14600	14095	12000	275
32358	PLDXA42KA	42"	1 1/2	750	18960	17000	14662	11700	7200	---	175
32359					18960	17000	14662	11700	7200	---	
32364	PLDXA42MA	42"	2	820	20700	18900	17002	14700	11400	4000	210
32365					20700	18900	17002	14700	11400	4000	
32369	PLDXA42OA	42"	3	890	23700	22100	20200	18960	16970	9950	275
32374	PLDXA42PA	42"	5	850	26900	25600	24403	23450	22250	18400	325
32377	PLDXA48PA	48"	5	800	33000	31000	29400	27500	25670	20700	375
32380	PLDXA48QA	48"	7 1/2	900	37500	35900	34500	32800	31200	27700	430
32383	PLDXA48RA	48"	10	1000	41200	39700	38300	36900	35400	32400	520

Explosion Proof Single Speed Motor

EDP No.	Catalog No.	Prop Dia.	HP	Fan RPM	Capacity (CFM) @ "SP in. W.G.						Ship Wt.
					0"	1/8"	1/4"	3/8"	1/2"	3/4"	
32187	PLDXA12CA	12"	1/4	2625	1444	1307	1033	638	380	---	68
32188					1444	1307	1033	638	380	---	
32193	PLDXA12FA	12"	1/2	3450	1875	1560	1400	1320	1250	1100	72
32194					1875	1560	1400	1320	1250	1100	
32199	PLDXA12HA	12"	3/4	3450	2044	1960	1920	1820	1650	1500	76
32200					2044	1960	1920	1820	1650	1500	
32205	PLDXA15CA	15"	1/4	2000	2600	2100	1700	---	---	---	73
32206					2600	2100	1700	---	---	---	
32211	PLDXA15DA	15"	1/3	2200	2950	2500	2100	1760	1000	---	75
32212					2950	2500	2100	1760	1000	---	



For Special Custom Order Products - Once in production non-cancellable, non-returnable under any circumstance.

Tube Axial
PLDXA Models

Motor Voltage Key	
1 Phase	115/230V
3 Phase	230/460V

Explosion Proof Single Speed Motor

EDP No.	Catalog No.	Prop Dia.	HP	Fan RPM	Capacity (CFM) @ "SP in. W.G.						Ship Wt.
					0"	1/8"	1/4"	3/8"	1/2"	3/4"	
32217	PLDXA15FA	15"	1/2	1890	3350	3000	2650	2200	1500	---	80
32218											
32223	PLDXA15HA	15"	3/4	2200	3900	3700	3400	3100	2700	1150	95
32224											
32229	PLDXA18CA	18"	1/4	1600	3050	2500	2000	1200	---	---	80
32230											
32235	PLDXA18DA	18"	1/3	1725	3375	3000	2600	2000	1400	---	85
32236											
32241	PLDXA18FA	18"	1/2	1890	3850	3500	3100	2500	2000	---	95
32242											
32247	PLDXA18JA	18"	1	1725	4600	4375	4080	3600	3000	2100	115
32248											
32253	PLDXA18KA	18"	1 1/2	1990	5350	5060	4830	4550	3950	3000	125
32254											
32259	PLDXA24FA	24"	1/2	1298	5643	5320	4826	4440	3500	---	125
32260											
32265	PLDXA24HA	24"	3/4	1600	6906	6510	5900	5440	4650	2750	130
32266											
32271	PLDXA24JA	24"	1	1725	7425	7000	6350	5850	5000	3300	145
32272											
32277	PLDXA24KA	24"	1 1/2	1540	8200	7900	7650	7280	6850	5500	150
32278											
32283	PLDXA24MA	24"	2	1600	9760	9114	8830	8460	8090	7000	170
32284											
32287	PLDXA24OA	24"	3	1725	10500	9800	9500	9100	8700	7800	185
32292	PLDXA27HA	27"	3/4	1250	8330	7814	7550	7070	6500	4650	135
32293											
32298	PLDXZ27JA	27"	1	1400	9400	8675	8480	7950	7300	5200	155
32299											
32304	PLDXA27KA	27"	1 1/2	1600	10700	10250	9700	9080	8375	6000	160
32305											
32310	PLDXA27MA	27"	2	1350	11500	11200	10700	10000	9300	8000	210
32311											
32316	PLDXA30FA	30"	1/2	1140	8900	7925	6660	4270	2300	---	118
32317											
32322	PLDXA30JA	30"	1	1298	9896	8970	7980	6050	4120	---	140
32323											
32328	PLDXA30KA	30"	1 1/2	1035	11100	10600	9700	8600	7500	3500	165
32329											



Belt Drive Fans

For Special Custom Order Products - Once in production non-cancellable, non-returnable under any circumstance.

Tube Axial

PLDXA Models

Totally Enclosed Single Speed Motor

Motor Voltage Key

1 Phase 115/230V

3 Phase 230/460V

EDP No.	Catalog No.	Prop Dia.	HP	Fan RPM	Capacity (CFM) @ "SP in. W.G.						Ship Wt.
					0"	1/8"	1/4"	3/8"	1/2"	3/4"	
32334	PLDXA30MA	30"	2	1176	12100	11660	11000	10121	9322	6700	200
32335					13480	12982	12498	12042	11465	10380	
32338	PLDXA30OA	30"	3	1350	13480	12982	12498	12042	11465	10380	215
32343	PLDXA34KA	34"	1 ½	1170	13695	12400	11100	8365	6000	1050	175
32344					14657	13652	12590	11500	10000	8000	
32349	PLDXA34MA	34"	2	1027	14657	13652	12590	11500	10000	8000	210
32352					17580	16750	15896	14600	14095	12000	
32355	PLDXA34OA	34"	3	1175	17580	16750	15896	14600	14095	12000	275
32360	PLDXA42KA	42"	1 ½	750	18960	17000	14662	11700	7200	---	175
32361					20700	18900	17002	14700	11400	4000	
32366	PLDXA42MA	42"	2	820	20700	18900	17002	14700	11400	4000	210
32367					23700	22100	20200	18960	16970	9950	
32372	PLDXA42OA	42"	3	890	23700	22100	20200	18960	16970	9950	275
32375	PLDXA42PA	42"	5	850	26900	25600	24403	23450	22250	18400	325
32378	PLDXA48PA	48"	5	800	33000	31000	29400	27500	25670	20700	375
32381	PLDXA48QA	48"	7 ½	900	37500	35900	34500	32800	31200	27700	430
32384	PLDXA48RA	48"	10	1000	41200	39700	38300	36900	35400	32400	520

Weather Cover

EDP No.	Catalog No.	Size	HP	Description
88202	Weather Cover	12" - 42"	Up to 1.5	For Motor and Drive
88203	Weather Cover	24" - 48"	2 - 5	For Motor and Drive
88205	Weather Cover	42" - 48"	7.5 & Up	For Motor and Drive

Accessories

EDP No.	Catalog No.	Prop Dia.	Description
32385	PLDXA Accessory	12"	Matching Flange (1 ea.)
32392	PLDXA Accessory	15"	Matching Flange (1 ea.)
32398	PLDXA Accessory	18"	Matching Flange (1 ea.)
32404	PLDXA Accessory	24"	Matching Flange (1 ea.)
32412	PLDXA Accessory	27"	Matching Flange (1 ea.)
32418	PLDXA Accessory	30"	Matching Flange (1 ea.)
32424	PLDXA Accessory	34"	Matching Flange (1 ea.)
32431	PLDXA Accessory	42"	Matching Flange (1 ea.)
32437	PLDXA Accessory	48"	Matching Flange (1 ea.)
32399	PLDXA Accessory	18"	Inspection Door
32405	PLDXA Accessory	24"	Inspection Door
32413	PLDXA Accessory	27"	Inspection Door
32419	PLDXA Accessory	30"	Inspection Door
32425	PLDXA Accessory	34"	Inspection Door
32432	PLDXA Accessory	42"	Inspection Door



For Special Custom Order Products - Once in production non-cancellable, non-returnable under any circumstance.

Tube Axial PLDXA Models

Accessories

EDP No.	Catalog No.	Prop Dia.	Description
32438	PLDXA Accessory	48"	Inspection Door
32387	PLDXA Accessory	12"	Inlet / Outlet Guard
32394	PLDXA Accessory	15"	Inlet / Outlet Guard
32400	PLDXA Accessory	18"	Inlet / Outlet Guard
32406	PLDXA Accessory	24"	Inlet / Outlet Guard
32414	PLDXA Accessory	27"	Inlet / Outlet Guard
32420	PLDXA Accessory	30"	Inlet / Outlet Guard
32426	PLDXA Accessory	34"	Inlet / Outlet Guard
32433	PLDXA Accessory	42"	Inlet / Outlet Guard
32439	PLDXA Accessory	48"	Inlet / Outlet Guard
32388	PLDXA Accessory	12"	Belt Drive Guard (OSHA)
32395	PLDXA Accessory	15"	Belt Drive Guard (OSHA)
32401	PLDXA Accessory	18"	Belt Drive Guard (OSHA)
32407	PLDXA Accessory	24"	Belt Drive Guard (OSHA)
32415	PLDXA Accessory	27"	Belt Drive Guard (OSHA)
32421	PLDXA Accessory	30"	Belt Drive Guard (OSHA)
32427	PLDXA Accessory	34"	Belt Drive Guard (OSHA)
32434	PLDXA Accessory	42"	Belt Drive Guard (OSHA)
32440	PLDXA Accessory	48"	Belt Drive Guard (OSHA)
32389	PLDXA Accessory	12"	Epoxy Coating
32396	PLDXA Accessory	15"	Epoxy Coating
32402	PLDXA Accessory	18"	Epoxy Coating
32408	PLDXA Accessory	24"	Epoxy Coating
32416	PLDXA Accessory	27"	Epoxy Coating
32422	PLDXA Accessory	30"	Epoxy Coating
32428	PLDXA Accessory	34"	Epoxy Coating
32435	PLDXA Accessory	42"	Epoxy Coating
32441	PLDXA Accessory	48"	Epoxy Coating
32391	PLDXA Accessory	12"	Cont. Weld of Flange o Drum
32397	PLDXA Accessory	15"	Cont. Weld of Flange o Drum
32403	PLDXA Accessory	18"	Cont. Weld of Flange o Drum
32409	PLDXA Accessory	24"	Cont. Weld of Flange o Drum
32417	PLDXA Accessory	27"	Cont. Weld of Flange o Drum
32423	PLDXA Accessory	30"	Cont. Weld of Flange o Drum
32429	PLDXA Accessory	34"	Cont. Weld of Flange o Drum
32436	PLDXA Accessory	42"	Cont. Weld of Flange o Drum
32442	PLDXA Accessory	48"	Cont. Weld of Flange o Drum

See page 3 for Explosion roof Motor Information.





Direct Drive Upblast Propeller Roof Ventilators

For Special Custom Order Products - Once in production non-cancellable, non-returnable under any circumstance.

UP Models

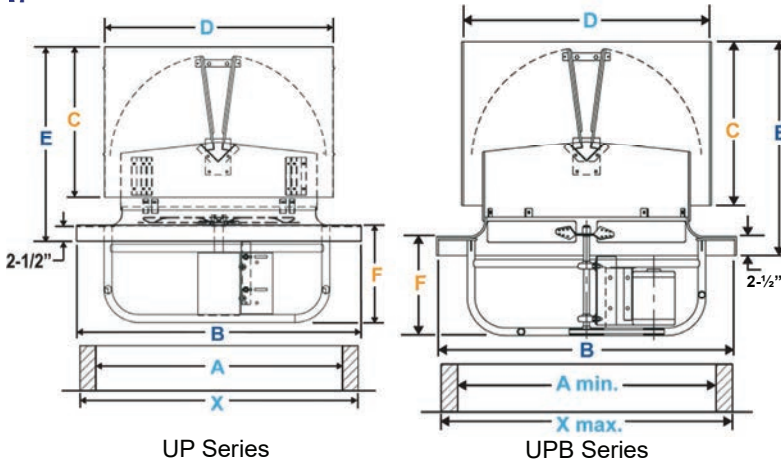
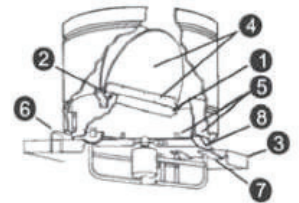


1 Year Warranty Features

- Includes Magnetic Latches on Dampers that Minimize Flutter when Fan is not in Operation
- Discharges Heat, Fumes, Moisture High Above Roof
- Ideal for General Ventilation
- Totally Enclosed Motors

Construction Features

1. Weatherproof streamlined drain trough
2. Rigid bearing bracket with iolite damper bearings
3. Leak proof base, no bolt holes
4. Aluminum dampers with reinforced center strip
5. All metal assembly for permanent alignment and rattle free operation
6. Lifting lugs on large units to facilitate installation
7. Welded base and hanger assembly
8. Internal condensation drain.



Prop Dia.	Dimensions (in.)							
	A Max	B	C	D	E	F		X Max
						UP	UPB	
18	24	33	18	24	22	9 1/4	---	32
24	31	39	22	30	26	10 1/2	14	38
30	37	45	25	36	29	14 3/4	14	44
36	43	51	28	42	32	14 3/4	14	50
42	50	57	32	48	36	17 3/4	14	56
48	55	63	34	54	38	18	15	62
60	66	75	42	66	46	18	15	74

*APPROXIMATE - varies with motor size

Motor Voltage Key

1 Phase	115/230V
3 Phase	230/460V

Direct Drive

EDP No.	Catalog No.	Prop Dia.	HP	RPM	Capacity (CFM) @ "SP in. W.G.			Max BHP	Ship Wt.
					0"	1/8"	1/4"		
30250	UP18H-G3	18"	1/2	1750	3853	3550	3215	0.57	186
30400	UP18H-G8								
30260	UP24H-F3	24"	1/3	1150	4495	3948	---	1.36	230
30410	UP24H-F8								
30270	UP24H-I3	24"	1	1750	6847	6482	6126	0.94	243
30420	UP24H-I8								
30280	UP30H-H3	30"	3/4	1150	9802	8885	7597	0.64	285
30430	UP30H-H8								
30440	UP30H-K8	30"	2	1750	14910	14368	13752	2.25	306
30450	UP36H-I8	36"	1	1150	10194	8961	---	0.70	370
30460	UP36H-L8	36"	3	1750	15500	14640	13840	2.45	419
30470	UP42H-I8	42"	1	850	14640	13222	11985	0.94	500
30480	UP42H-K8	42"	2	1150	17618	16879	16019	1.99	500
30490	UP42H-M8	42"	5	1150	26150	25120	24040	4.35	569
30500	UP48H-K8	48"	2	850	21840	20200	18400	1.76	575
30510	UP48H-M8	48"	5	1150	29500	28300	27100	4.58	646
30520	UP60H-L8	60"	3	850	32200	29775	27550	2.30	775



Belt Drive Upblast Propeller Roof Ventilators

For Special Custom Order Products - Once in production non-cancellable, non-returnable under any circumstance.

UPB Models

Motor Voltage Key

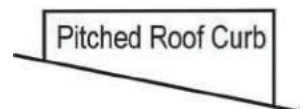
1 Phase	115/230V
3 Phase	230/460V

Belt Drive

EDP No.	Catalog No.	Prop Dia.	HP	RPM	Capacity (CFM) @ "SP in. W.G.			Max BHP	Ship Wt.
					0"	1/8"	1/4"		
30600	UPB24R-G3	24"	1/2	985	5652	4967	4152	0.57	270
30850	UPB24R-G8								
30610	UPB24R-H3	24"	3/4	1133	6501	5940	5309	0.74	270
30860	UPB24R-H8								
30620	UPB24R-I3	24"	1	1256	7207	6690	6121	1.01	270
30870	UPB24R-I8								
30630	UPB30R-H3	30"	3/4	773	8870	7900	6493	0.77	330
30880	UPB30R-H8								
30640	UPB30R-I3	30"	1	849	9742	8944	7836	1.02	330
30890	UPB30R-I8								
30650	UPB30R-J3	30"	1 1/2	979	11233	10730	9644	1.57	330
30900	UPB30R-J8								
30910	UPB30R-K8	30"	2	1085	12449	12072	11061	2.13	330
30670	UPB36R-I3	36"	1	661	12367	10698	9401	0.97	375
30920	UPB36R-I8								
30680	UPB36R-J3	36"	1 1/2	767	14350	13024	11250	1.51	375
30930	UPB36R-J8								
30940	UPB36R-K8	36"	2	857	16033	14810	13804	2.11	375
30950	UPB36R-L8	36"	3	981	18353	17355	16406	3.17	375
30960	UPB36R-M8	36"	5	1172	21927	21057	20291	5.4	375
30720	UPB42R-J3	42"	1 1/2	598	17332	15616	13557	1.39	525
30970	UPB42R-J8								
30980	UPB42R-K8	42"	2	670	19418	17958	16174	1.95	525
30990	UPB42R-L8	42"	3	781	22635	21475	19943	3.09	525
31000	UPB42R-M8	42"	5	928	26896	25994	24767	5.18	525
31010	UPB48R-L8	48"	3	633	27124	25307	22865	2.99	600
31020	UPB48R-M8	48"	5	660	30516	28662	26807	3.96	600
31030	UPB60R-L8	60"	3	394	36216	31488	26008	3.04	800
31040	UPB60R-M8	60"	5	473	43478	39543	35691	5.25	800

Roof Curbs for UP & UPB Series

EDP No.	Catalog No.	Prop Dia.	Description	Ship Wt.
31050	PACN31.5-8	18"	31½" x 31½" x 8" Insulated Steel Curb	34
31055	PACN37.5-8	24"	37½" x 37½" x 8" Insulated Steel Curb	39
31060	PACN43.5-8	30"	43½" x 43½" x 8" Insulated Steel Curb	45
31065	PACN49.5-8	36"	49½" x 49½" x 8" Insulated Steel Curb	50
31070	PACN55.5-8	42"	55½" x 55½" x 8" Insulated Steel Curb	60
31075	PACN61.5-8	48"	61½" x 61½" x 8" Insulated Steel Curb	67
31080	PACN73.5-8	60"	73½" x 73½" x 8" Insulated Steel Curb	85



PACN Curbs do not have Damper Shelf. For dimension data, see page 73. Speed (RPM) in nominal. Performance is based on actual speed of test. Performance ratings do not include the effects of appurtenances in the airstream. Power ratings (BHP) do not include drive losses. **Pitched Roof Curb price: Flat Roof Curb Price x 1.67. Peaked Roof Curb price: Flat Roof Curb Price x 2.22. For pricing of Pitched or Peaked Roof Curbs greater than 8" in height, consult factory. Please specify Pitched or Peaked when ordering.** Metal roofs, consult factory for sizing and pricing.



Warning: Cancer and Reproductive Harm www.P65Warnings.ca.gov
This warning is applicable to all products on this page, see page i2 for more information

Direct Drive Propeller Rooftop Exhaust Fans

For Special Custom Order Products - Once in production non-cancellable, non-returnable under any circumstance.

ARD Models

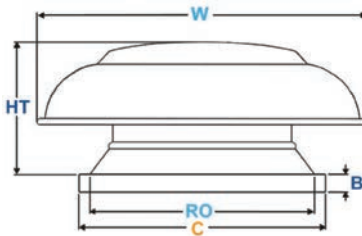


1 Year Warranty Features

- Emergency Disconnect Switch Standard
- Solid State Speed Control Not Available
- Aluminum Bladed Propellers
- Integral Vibration Isolators
- Spun Aluminum Housing
- Wall or Roof Mount
- Bird Screen



"Airmaster Fan certifies that Model ARD shown herein is (or are) licensed to bear the AMCA Seal. The ratings shown are based on tests and procedures performed in accordance with AMCA Publications 211 and AMCA Publication 311 and comply with the requirements of the AMCA Certified Ratings Program."

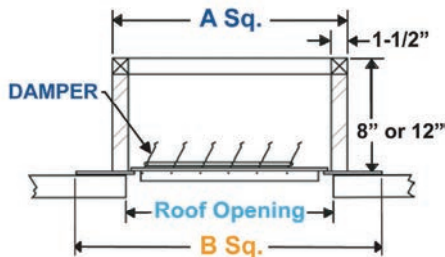


Prop Dia.	Catalog No.	ARD Dimensions (in.)				
		Ht	W	B	C	RO or WO
10"	ARD100	9"	18"	2"	19"	13"
12"	ARD120	11"	21½"	2"	19"	13"
14"	ARD140	14"	27"	2"	21"	16"
18"	ARD180	16"	34"	2"	26"	20"

115V, 1 Speed, 1 Phase, Open Drip Proof (ODP)

EDP No.	Catalog No.	Prop Dia.	HP	RPM	Capacity (CFM) @ "SP in. W.G.								Ship Wt.
					0"	1/8"	1/4"	3/8"	1/2"	5/8"	3/4"	1"	
32644	ARD100XB	10"	1/30	1500	525	330	225	140	---	---	---	---	12
32645	ARD120XB	12"	1/10	1500	830	700	620	510	430	350	250	80	20
32646	ARD140BC	14"	.17	1100	1160	880	790	650	520	390	240	---	34
32647	ARD180DC	18"	1/3	1100	2420	2000	1610	1500	1300	1050	890	410	46

* Performance shown in for installation type A: Free Inlet, Free Outlet. Performance ratings do not include the effects of appurtenances in the airstream. Power rating (BHP) does not include transmission losses.



Roof Mount Damper

EDP No.	Catalog No.	Used with ARD Models Catalog No.	Ship Wt.
32452	BD14.5A	ARD100XB ARD120XB	3
32453	BD16.75A	ARD140BC	4
32454	BD21.75A	ARD180DC	5

Curbs

EDP No.	Catalog No.	Curb Size	Used with ARD Models Catalog No.	Curb Dimensions			
				A Sq.	B Sq.	Roof Opening	Damper Catalog No.
31100	PACA17.75-8	8"	ARD100XB ARD120XB	17 ¾"	23 ¾"	13"	BD14.5A
31101	PACA17.75-12	12"	ARD100XB ARD120XB	17 ¾"	23 ¾"	13"	BD14.5A
31102	PACA20-8	8"	ARD140BC	20"	24"	16"	BD16.75A
31103	PACA20-12	12"	ARD140BC	20"	24"	16"	BD16.75A
31110	PACA25-8	8"	ARD180DC	25"	29"	20"	BD21.75A
31111	PACA25-12	12"	ARD180DC	25"	29"	20"	BD21.75A

Notes: Pitched and Peaked Curbs Available. For Pitched Roof Curb Price, multiply flat roof curb price by 1.67. For Peaked Roof Curb Price, multiply flat roof curb price by 2.22. Please specify Pitched or Peaked when ordering. Metal roofs, consult factory for sizing and pricing. Wall Mount Brackets Available, contact factory.



Direct Drive Centrifugal Exhaust Fans

For Special Custom Order Products - Once in production non-cancellable, non-returnable under any circumstance.

CDD Models

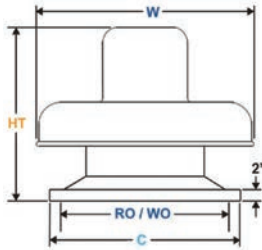
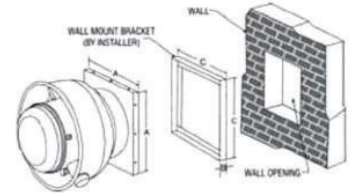


1 Year Warranty Features

- 115V, 1 Phase, 1 Speed, ODP Motors
- Durable and Quiet at Higher Static Pressures
- Non-Overloading, Backward Inclined Wheel
- Emergency Disconnect Switch Standard
- Variable Speed Control Standard
- Suitable for Roof or Wall Mount
- Bird Screen Standard



"Airmaster Fan certifies that Model CDD shown herein is (or are) licensed to bear the AMCA Seal. The ratings shown are based on tests and procedures performed in accordance with AMCA Publications 211 and AMCA Publication 311 and comply with the requirements of the AMCA Certified Ratings Program."



Catalog No.	CDD Dimensions (in.)				
	Ht	W	B	C	RO or WO
CDD100	14 1/2"	20 3/4"	2"	19"	13"
CDD120	16 1/4"	23 3/4"	2"	19"	13"
CDD300B-2	19 1/8"	26 1/4"	2"	21"	16"
CDD330B-2	19 1/8"	26 1/4"	2"	21"	16"
CDD550B-2	21 3/4"	29 3/4"	2"	21"	16"

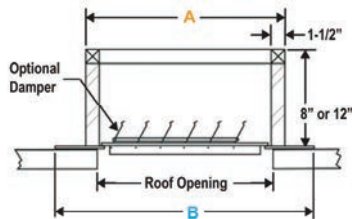
CDD Wall Mounting Details

Model	A	C	Wall Opening
CDD100	19"	18 1/2"	13"
CDD120	19"	18 1/2"	13"
CDD300B	21"	20 1/2"	16"
CDD330B	21"	20 1/2"	16"
CDD500B	21"	20 1/2"	16"

EDP No.	Catalog No.	Wheel Dia.	HP	RPM	Max Sones	Capacity (CFM) @ "SP in. W.G.								Ship Wt.
						0"	1/8"	1/4"	3/8"	1/2"	5/8"	3/4"	1"	
32446	CDD100-2	9"	1/10	1600	7.4	510	470	425	370	300	175	---	---	30
32447	CDD120-2	10 1/2"	.18	1600	12.2	945	880	800	725	650	550	---	---	35
32727	CDD300B-2	10 3/4"	1/6	1625	13.4	1410	1340	1265	1190	1110	1040	950	790	45
32449	CDD330B-2	11 3/4"	1/3	1600	14.2	1310	1250	1190	1110	1030	950	860	680	45
32451	CDD550B-2	12"	1/2	1600	17.4	2400	2300	2210	2120	2050	1910	1850	1600	50

Speed Control allows for CFM range to 50% stated.

*Performance shown is for installation type A: Free Inlet, Free Outlet. Performance ratings do not include the effects of appurtenances in the airstream. Power rating (BHP) does not include transmission losses. The sound ratings shown are loudness values in fan sones at 5 ft. (1.5 m) in a hemispherical free field calculated per AMCA Standard 301. Values shown are for Installation Type A: Free inlet hemispherical sone levels.



Gravity Damper & Accessories

EDP No.	Catalog No.	Used with CDD Models Catalog No.	Ship Weight
32452	BD14.5A	CDD100-2, CDD120-2	3
32453	BD16.75A	CDD300B-2, CDD330B-2, CDD550B-2	4
94283	---	CDD100-2, CDD120-2, CDD300B-2, CDD330B-2, CDD550B-2	5

Curbs

EDP No.	Catalog No.	Curb Size	Used with CDD Models Catalog No.	Curb Dimensions			
				A Sq.	B Sq.	Roof Opening	Damper Catalog No.
31100	PACA17.75-8	8"	CDD100-2 CDD120-2	17 3/4"	23 3/4"	13"	BD14.5A
31101	PACA17.75-12	12"	CDD100-2 CDD120-2	17 3/4"	23 3/4"	13"	BD14.5A
31102	PACA20-8	8"	CDD300B-2 CDD330B-2 CDD550B-2	20"	24"	16"	BD16.75A
31103	PACA20-12	12"	CDD300B-2 CDD330B-2 CDD550B-2	20"	24"	16"	BD16.75A

*Curb Hinge Available - EDP No. 62000

Notes: Pitched and Peaked Curbs Available. For Pitched Roof Curb Price, multiply flat roof curb price by 1.67. For Peaked Roof Curb Price, multiply flat roof curb price by 2.22. Please specify Pitched or Peaked when ordering. Metal roofs, consult factory for sizing and pricing. Wall Mount Brackets Available, contact factory.



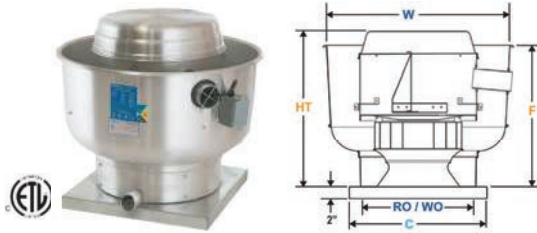
Warning: Cancer and Reproductive Harm www.P65Warnings.ca.gov
This warning is applicable to all products on this page, see page i2 for more information

Direct Drive Centrifugal Upblast / Wall

For Special Custom Order Products - Once in production non-cancellable, non-returnable under any circumstance.

CDU Model

Roof and Wall Mount Versatility

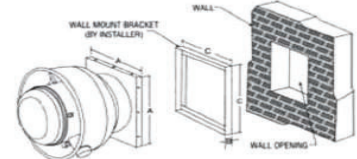


1 Year Warranty Features

- High Vertical Discharge - Prevents Recirculation
- Rubber Vibration Isolators for Quiet Operation
- Non-Overloading, Backward Inclined Wheel
- Emergency Disconnect Switch Standard
- Compact Size for Easy Installation
- Variable Speed Control Standard



"Airmaster Fan certifies that Model ARD shown herein is (or are) licensed to bear the AMCA Seal. The ratings shown are based on tests and procedures performed in accordance with AMCA Publications 211 and AMCA Publication 311 and comply with the requirements of the AMCA Certified Ratings Program."



CDU Wall Mounting Details

Catalog No.	CDU Dimensions (in.)				
	Ht	W	C	F	RO or WO
CDU100-2	14 1/2	17 3/4	19	9 1/2	13
CDU120-2	18	22	19	14 1/2	13
CDU300B-2	25 1/4	25 1/2	21	18 1/2	16
CDU330B-2	25 1/4	25 1/2	21	18 1/2	16
CDU500B-2	27 1/4	28 7/8	21	21 1/2	16

Model	A	C	WO	Bracket EDP
CDU100-2	19	18 1/2	13	32717
CDU120-2	19	18 1/2	13	32717
CDU300B-2	21	20 1/2	16	32718
CDU330B-2	21	20 1/2	16	32718
CDU500B-2	21	20 1/2	16	32718

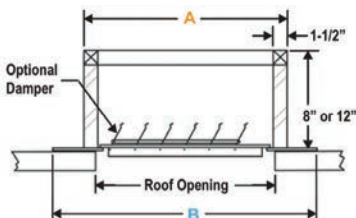
115V, 1 Speed, 1 Phase, Open Drip Proof Motor

EDP No.	Catalog No.	Wheel Dia.	HP	RPM	Tip Speed	Capacity (CFM) at "S.P.										Max Sones	Ship Wt.
						0"	1/8"	1/4"	3/8"	1/2"	5/8"	3/4"	1"	1 1/4"	1 1/2"		
32637	*CDU100-2	8 3/4	.08	1600	3770	537	493	447	398	343	280	204	---	---	---	9.0	30
32638	CDU120-2	10 1/2	.08	1525	4192	870	840	760	700	600	500	360	---	---	---	11.0	40
32642	CDU300B-2	11 3/4	1/4	1525	4691	1210	1150	1100	1050	990	900	840	610	---	---	12.0	50
32728	CDU330B-2	11 3/4	1/3	1700	5229	1390	1345	1270	1220	1150	1060	1000	840	650	---	14.7	50
32643	CDU500B-2	13 3/4	1/2	1650	5940	2100	---	2000	---	1800	---	1600	1350	1100	750	18.9	55

*CDU100-2 is UL 705 Listed. Performance shown is for installation type A: Free inlet, Free outlet. Performance ratings do not include the effects of appurtenances in the airstream. Power rating (BHP) does not include transmission losses. The sound ratings shown are loudness values in fan sones at 5 ft. (1.5m) in a hemispherical free field calculated per AMCA Standard 301. Values shown are for Installation Type A: Free inlet hemispherical sone levels. Variable speed control allows for 50% range of stated CFM. Speed control can be wired for low or high speed. Performance shown is for installation type A; Free Inlet, Free Outlet. Performance includes effect of bird screen in the airstream. Speed (RPM) shown is nominal and performance is based on actual speed of test.

Roof Mount Damper Motor Kit

EDP No.	Catalog No.
94283	Motor Kit



Wall / Roof Gravity Damper

EDP No.	Catalog No.	Use with CBU Catalog No.	Ship Wt.
32452	BD14.5A	CDU100-2, CDU120-2	3
32453	BD16.75A	CDU300B-2, CDU330B-2, CDU550B-2	4

Accessories

EDP No.	Catalog No.	Description
62000	Curb Hinge	Curb Hinge
62001	Bird Screen	Bird Screen for CDU100 - 120
62002	Bird Screen	Bird Screen for CDU300 - 500
62003	Grease Box	Grease Box

Note: Cannot use a Bird Screen and a Grease Box on the same fan.

Curbs

EDP No.	Catalog No.	Curb Size	Curb Dimensions				Use with CDU Catalog No.				Ship Wt.
			A Sq.	B Sq.	Roof Opening	Damper Cat. No.					
31100	PACA17.75-8	8"	17 3/4"	23 3/4"	13"	BD14.5A	CDU100-2	CDU120-2		17	
31101	PACA17.75-12	12"	20"	24"	16"	BD16.75A	CDU300B-2	CDU330B-2	CDU550B-2	20	
31102	PACA20-8	8"									
31103	PACA20-12	12"									

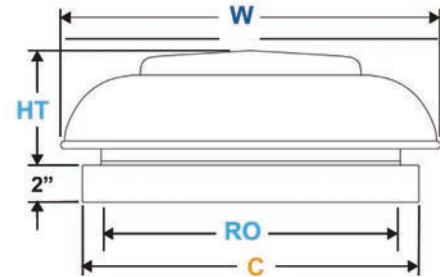
Note: Pitched and Peaked Curbs Available. For Pitched Roof Curb Price, multiply flat roof curb price by 1.67. For Peaked Roof Curb Price, multiply flat roof curb price by 2.22. Please specify Pitched or Peaked when ordering. Metal roofs, consult factory for sizing and pricing. Wall Mount Brackets Available, contact factory.



For Special Custom Order Products - Once in production non-cancellable, non-returnable under any circumstance.

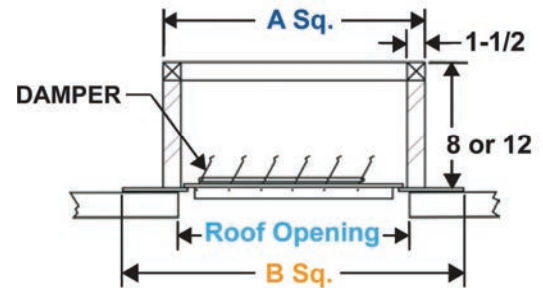
EGRV Model

EGRV Gravity Non-Powered Relief Vent (Unit Has No Motor)



EDP No.	Catalog No.	Approx. Throat Dia.	CFM*	EGRV Dimensions					Ship Wt.
				Ht.	W	C	Roof Opening	Approx. Throat Opening in Sq. Ft	
32443	EGRV120	12"	1000	11"	20.3"	18 1/2"	13"	0.79	21
32444	EGRV140	14"	1475	14"	27.3"	21"	16"	1.07	33
32445	EGRV180	18"	2400	16"	33.5"	26"	20"	1.97	55

*Approximate CFM at 1200 FPM throat velocity.



Curbs

EDP No.	Catalog No.	Curb Size	Curb Dimensions				Use with EGRV Catalog No.	Ship Wt.
			A Sq.	B Sq.	Roof Opening	Damper Cat. No.		
31100	PACA17.75-8	8"	17 3/4"	23 3/4"	13"	BD14.5A	EGRV120	17
31102	PACA20-8	8"	20"	24"	16"	BD16.75A	EGRV140	20
31110	PACA25-8	8"	25"	29"	20"	BD21.75A	EGRV180	26

Exhaust Backdraft Damper with Motor Kit

EDP No.	Catalog No.	Use with EGRV Catalog No.	Ship Wt.
32452	BD14.5A	EGRV120	3
32453	BD16.75A	EGRV140	4
32454	BD21.75A	EGRV180	8
94283	Motor Kit	EGRV120, EGRV140, EGRV180	5

**Use motorized damper only. Bird Screen standard on EGRV models.

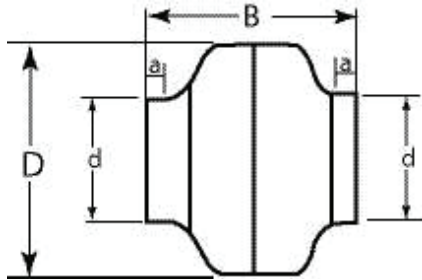
AIF In-Line Centrifugal Duct Fans

AIF Model



5 Year Warranty Features

- Heavy Gauge, Drawn Steel Housing with Baked Epoxy Finish
- Precision Balanced for Vibration-Free Operation
- Automatic Reset Thermal Overload Protection
- Exceptionally Quiet and Efficient BC Impeller
- 120V Operation, Other Voltages Available
- Size 4" to 12", 147 CFM to 970 CFM
- Speed Controllable



Features	Benefits
External Rotor Motor	Compact Design
Backward Curve Wheel	High Efficiency Non-Overloading
Dynamically Balanced Wheel	Low Noise and Vibration
Die Cast Aluminum Motor Body	Excellent Heat Dissipation, 100% Speed Controllable, Long Motor Life
Permanent Lube Ball Bearings	Maintenance Free / Smooth Operation
NEMA Class B Motor Insulation	Industrial Quality Construction
Thermal Overload Motor Protection	Safety Feature

EDP No.	Catalog No.	Watts	RPM	Capacity (CFM) at "S.P.									Dimensions (in.)				Ship Wt.
				0	0.2	0.4	0.6	0.8	1.0	1.2	1.5	2.0	D	d	a	B	
23202	AIF100A ES	43.5	2580	147	130	107	82	57	34	11	---	---	9.5	3.9	1.0	8.3	7.5
23190	AIF100B	83.4	2620	150	140	127	112	94	74	53	23	---	9.5	3.9	1.0	8.3	8.0
23195*	AIF100B-C	83.4	2520	150	140	127	112	94	---	74	53	23	9.5	3.9	1.0	8.3	8.0
23203	AIF125A ES	44.4	2520	179	150	121	87	49	14	---	---	---	9.5	4.8	1.0	8.3	7.5
23191	AIF125B	85.4	2750	183	160	141	122	101	77	51	14	---	9.5	4.8	1.0	8.3	7.5
23196*	AIF125B-C	85.4	2750	183	160	141	122	101	77	51	14	---	9.5	4.8	1.0	8.3	7.5
23204	AIF150A ES	46.8	2390	235	190	148	97	44	---	---	---	---	9.5	5.8	1.0	8.3	7.5
23192	AIF150B ES	89.2	2450	308	260	216	175	139	108	81	47	---	13.2	5.8	1.0	9.1	12.5
23197*	AIF150B-C ES	89.2	2450	308	260	216	175	139	108	81	47	---	13.2	5.8	1.0	9.1	12.5
23205	AIF200A ES	84.5	2500	368	300	234	184	149	114	70	---	---	13.2	7.8	1.0	9.1	12.0
23193	AIF200B ES	188	2550	579	520	453	387	329	282	245	206	154	13.2	7.8	1.0	9.1	15.0
23198*	AIF200B-C ES	188	2550	579	520	453	387	329	282	245	206	154	13.2	7.8	1.0	9.1	15.0
23206	AIF250 ES	197	2470	616	550	488	431	379	330	286	227	143	13.2	9.8	1.0	9.1	15.0
23212*	AIF250-C ES	197	2470	616	550	488	431	379	330	286	227	143	13.2	9.8	1.0	9.1	15.0
23207	AIF300A ES	206	2450	780	700	595	420	330	290	255	210	132	15.9	11.8	1.2	11.8	18.0
23194	AIF300B ES	312	2780	970	910	803	680	559	453	367	273	164	15.9	11.8	1.2	11.8	18.0
23199*	AIF300B-C ES	312	2780	970	910	803	680	559	453	367	273	164	15.9	11.8	1.2	11.8	18.0

* - Comes with cord



AIF In-Line Centrifugal Duct Fans

AIF Model Accessories

EDP No.	Catalog No.	Description	Ship Weight
23201	PS-DB	Pressure Sensing Switch Kit	1.5
24855	485210	Variable Speed Control, 1 Phase, 5 Amp Speed Control	1
23163	DF-4	4" Diffuser Vent	1
23177	DF-5	5" Diffuser Vent	1
23164	DF-6	6" Diffuser Vent	1
23170	DF-8	8" Diffuser Vent	1.4
23180	DF-10	10" Diffuser Vent	1.8
23165	BD-4	4" Backdraft Damper	1
23166	BD-6	6" Backdraft Damper	1
23171	BD-8	8" Backdraft Damper	1.2
23172	BD-10	10" Backdraft Damper	1.4
23178	BD-12	12" Backdraft Damper	1.6



Pressure Switch



Speed Control



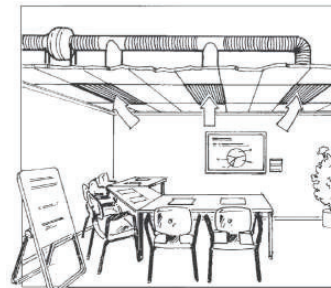
Diffuser Vent



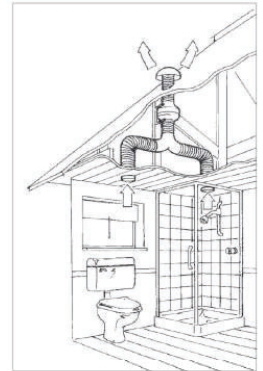
Backdraft Damper

Typical Applications

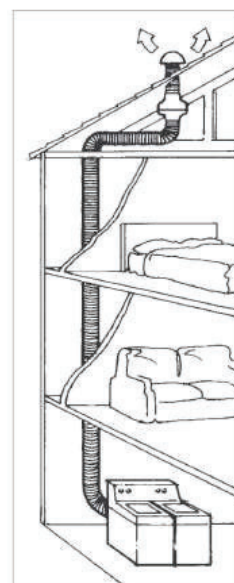
	Residential	Commercial	Industrial
Bathroom Exhaust	✓	✓	✓
Locker Room Exhaust		✓	✓
Kitchen Exhaust (not over range hood)	✓		
Clothes Dryer Exhaust	✓	✓	✓
Primary Exhaust Fan	✓	✓	✓
Duct Booster	✓	✓	✓
Warm Air Transfer	✓	✓	✓
General Ventilation	✓	✓	
Conference Room Exhaust		✓	✓
Smoke Areas	✓	✓	
Cafeteria Exhaust		✓	✓
Humidity & Moisture Removal	✓	✓	✓
Equipment Cooling		✓	✓
Make Up Air	✓	✓	✓
Welding Fume Removal			✓
Spot Ventilation	✓	✓	✓
Booster Fan	✓	✓	✓



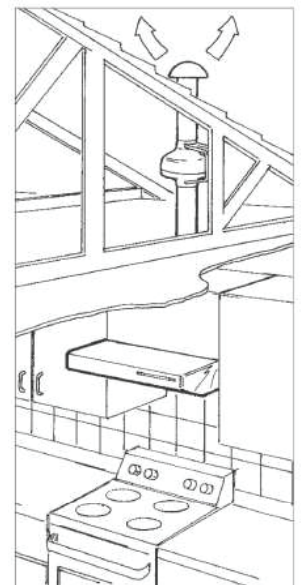
Conference room exhaust ventilation



Multi-ventilating points with one In-Line Fan



(In-Line) Fan assisted dryer exhaust



(In-Line) Fan rangehood exhaust



(AIF Fan) transferring conditioned air to a new room addition



Warning: Cancer and Reproductive Harm www.P65Warnings.ca.gov
This warning is applicable to all products on this page, see page i2 for more information

Intake Louvers

For Special Custom Order Products - Once in production non-cancellable, non-returnable under any circumstance.

LE47 Model - Fixed



1 Year Warranty Features

- Extremely Versatile - For Architectural Designs
- Available in Fixed or Adjustable Blades
- Many Options and Colors Available
- Bird Screen Standard
- Extruded Aluminum
- Weather Resistant



Choosing the proper sized LE47

1. Divide the required CFM by the maximum recommended free area velocity (822 FPM).
2. Select a louver from the free area chart that meets the minimum free area requirements

Example: 6000 CFM air flow

Step #1

Min. Free Area = Design CFM

$$\frac{\text{Max. Recommended Velocity}}{822} = \frac{6000}{822} = 7.299 \text{ Sq. Ft.}$$

Step #2

From the free area table the approximate louver size is 36" W x 60" H (7.47 Sq. Ft.)

LE47 Free Area in Square Feet

		Width							
		12"	24"	36"	48"	60"	72"	84"	96"
Height	12"	0.29	0.66	1.04	1.41	1.79	2.12	2.49	2.87
	24"	0.69	1.59	2.49	3.40	4.30	5.08	5.98	6.88
	36"	1.18	2.70	4.22	5.75	7.27	8.61	10.13	11.6
	48"	1.68	3.85	6.03	8.21	10.38	12.29	14.47	16.6
	60"	2.08	4.77	7.47	10.16	12.85	15.21	17.90	20.6
	72"	2.57	5.90	9.24	12.57	15.91	18.82	22.16	25.4
	84"	2.97	6.83	10.69	14.55	18.41	21.79	25.65	29.5
	96"	3.46	7.94	12.42	16.91	21.39	25.31	29.80	34.2

Free area is the actual open area of the louver, approximately 45% of face area.

LE47 Fixed Intake Louver

EDP No.	Dimensions (in.)		EDP No.	Dimensions (in.)	
	Width	Height		Width	Height
94322	12"	12"	94237	24"	96"
94200	12"	18"	94238	30"	12"
94201	12"	24"	94239	30"	18"
94202	12"	30"	94377	30"	24"
94203	12"	36"	94312	30"	30"
94204	12"	42"	94240	30"	36"
94205	12"	48"	94241	30"	42"
94206	12"	54"	94242	30"	48"
94207	12"	60"	94243	30"	54"
94208	12"	66"	94244	30"	60"
94209	12"	72"	94245	30"	66"
94210	12"	78"	94246	30"	72"
94211	12"	84"	94247	30"	78"
94212	12"	90"	94248	30"	84"
94213	12"	96"	94249	30"	90"
94214	18"	12"	94250	30"	96"
94318	18"	18"	94391	36"	12"
94387	18"	24"	94251	36"	18"
94215	18"	30"	94349	36"	24"
94216	18"	36"	94252	36"	30"
94217	18"	42"	94311	36"	36"
94218	18"	48"	94293	36"	42"
94219	18"	54"	94310	36"	48"
94220	18"	60"	94253	36"	54"
94221	18"	66"	94254	36"	60"
94222	18"	72"	94255	36"	66"
94223	18"	78"	94256	36"	72"
94224	18"	84"	94257	36"	78"
94225	18"	90"	94259	36"	84"
94226	18"	96"	94260	36"	90"
94296	24"	12"	94261	36"	96"
94227	24"	18"	94262	42"	12"
94315	24"	24"	94263	42"	18"
94228	24"	30"	94264	42"	24"
94314	24"	36"	94266	42"	30"
94229	24"	42"	94269	42"	36"
94313	24"	48"	94308	42"	42"
94230	24"	54"	94270	42"	48"
94231	24"	60"	94273	42"	54"
94232	24"	66"	94276	42"	60"
94233	24"	72"	94278	42"	66"
94234	24"	78"	94279	42"	72"
94235	24"	84"	94508	42"	78"
94236	24"	90"	94509	42"	84"



For Special Custom Order Products - Once in production non-cancellable, non-returnable under any circumstance.

LE47 Model - Fixed

EDP No.	Dimensions (in.)		EDP No.	Dimensions (in.)		EDP No.	Dimensions (in.)		EDP No.	Dimensions (in.)	
	Width	Height		Width	Height		Width	Height		Width	Height
94510	42"	90"	94556	60"	78"	94598	78"	66"	94624	90"	42"
94511	42"	96"	94557	60"	84"	94599	78"	72"	94634	90"	48"
94512	48"	12"	94558	60"	90"	94600	78"	78"	94635	90"	54"
94513	48"	18"	94559	60"	96"	94601	78"	84"	94636	90"	60"
94514	48"	24"	94560	66"	12"	94602	78"	90"	94637	90"	66"
94515	48"	30"	94561	66"	18"	94603	78"	96"	94638	90"	72"
94306	48"	36"	94562	66"	24"	94604	84"	12"	94639	90"	78"
94516	48"	42"	94563	66"	30"	94605	84"	18"	94640	90"	84"
94304	48"	48"	94564	66"	36"	94606	84"	24"	94641	90"	90"
94517	48"	54"	94565	66"	42"	94607	84"	30"	94642	90"	96"
94303	48"	60"	94566	66"	48"	94608	84"	36"	94643	96"	12"
94518	48"	66"	94567	66"	54"	94609	84"	42"	94644	96"	18"
94519	48"	72"	94568	66"	60"	94610	84"	48"	94645	96"	24"
94520	48"	78"	94569	66"	66"	94611	84"	54"	94646	96"	30"
94521	48"	84"	94570	66"	72"	94612	84"	60"	94647	96"	36"
94522	48"	90"	94571	66"	78"	94613	84"	66"	94648	96"	42"
94523	48"	96"	94572	66"	84"	94614	84"	72"	94649	96"	48"
94524	54"	12"	94573	66"	90"	94615	84"	78"	94650	96"	54"
94525	54"	18"	94574	66"	96"	94616	84"	84"	94651	96"	60"
94526	54"	24"	94575	72"	12"	94617	84"	90"	94652	96"	66"
94527	54"	30"	94576	72"	18"	94618	84"	96"	94653	96"	72"
94528	54"	36"	94577	72"	24"	94619	90"	12"	94654	96"	78"
94529	54"	42"	94578	72"	30"	94620	90"	18"	94655	96"	84"
94530	54"	48"	94579	72"	36"	94621	90"	24"	94656	96"	90"
94289	54"	54"	94580	72"	42"	94622	90"	30"	94660	96"	96"
94538	54"	60"	94284	72"	48"	94623	90"	36"			
94539	54"	66"	94581	72"	54"						
94540	54"	72"	94582	72"	60"						
94541	54"	78"	94583	72"	66"						
94542	54"	84"	94584	72"	72"						
94543	54"	90"	94585	72"	78"						
94544	54"	96"	94586	72"	84"						
94545	60"	12"	94587	72"	90"						
94546	60"	18"	94588	72"	96"						
94547	60"	24"	94589	78"	12"						
94548	60"	30"	94590	78"	18"						
94549	60"	36"	94591	78"	24"						
94550	60"	42"	94592	78"	30"						
94551	60"	48"	94593	78"	36"						
94552	60"	54"	94594	78"	42"						
94553	60"	60"	94595	78"	48"						
94554	60"	66"	94596	78"	54"						
94555	60"	72"	94597	78"	60"						

Add 10% for Angle (Flanged) Frames. Add \$21.67 per foot of width for Sill Extensions
Note: Width and Height are wall opening sizes. Louvers are made 1/2" under size.

Available LouverGard Colors:

Aged Copper	Charcoal Black	Hartford Green	Santa Fe Red
Alamo Tan	Citation Gold	IBM Blue	Sierra White
Bone White	Coal Black	Medium Bronze	Slate Gray
Brick Red	Dark Bronze	Parchment Yellow	Squirrel Brown
Buckskin	Dove Gray	Sandstone	Terra Cotta

LouverGard is a durable gloss based enamel for use in protecting interior and exterior metal surfaces. It is formulated to withstand the rigors of weathering and corrosion.

Options for LE47 & LE47A

Finishes for LE47 & LE47A Louvers	
Finish	Multiplier to Apply to List Price
Prime or Clear Lacquer	X 1.20
LouverGard Std. Colors	X 1.30
Kynar™ Standard Colors (70% Kynar)	X 1.55
Anodize 204-R1 Etch & Clear .7 Mils	X 1.40
Anodize 215-R1 Etch & Clear .7 Mils	X 1.55
Anodize Light, Med. Dk. Bronze or Black, .7 Mils	X 1.75

Intake Louvers

For Special Custom Order Products - Once in production non-cancellable, non-returnable under any circumstance.

LE47A Model - Adjustable



1 Year Warranty Features

- Extremely Versatile - For Architectural Designs
- Available in Fixed or Adjustable Blades
- Many Options and Colors Available
- Bird Screen Standard
- Extruded Aluminum
- Weather Resistant



Choosing the proper sized LE47A

1. Divide the required CFM by the maximum recommended free area velocity (740 FPM).
2. Select a louver from the free area chart that meets the minimum free area requirements

Example: 6000 CFM air flow

Step #1

Min. Free Area = Design CFM

$$\frac{\text{Max. Recommended Velocity}}{740} = \frac{6000}{740} = 8.108 \text{ Sq. Ft.}$$

Step #2

From the free area table the approximate louver size is 36" W x 72" H (8.49 Sq. Ft.)

LE47A Free Area in Square Feet

		Width				
		12"	24"	36"	48"	60"
Height	12"	0.20	0.45	0.71	0.96	1.22
	24"	0.59	1.35	2.77	2.87	3.63
	36"	1.11	2.56	4.01	5.45	6.90
	48"	1.56	3.57	5.59	7.01	9.05
	60"	1.97	4.53	7.08	9.64	12.20
	72"	2.36	5.43	8.49	11.55	14.62
	84"	2.74	6.30	9.86	13.41	16.97
96"	3.31	7.61	11.91	16.20	20.50	

Free area is the actual open area of the louver, approximately 45% of face area.

EDP No.	Dimensions (in.)		No. of Blades	EDP No.	Dimensions (in.)		No. of Blades
	Width	Height			Width	Height	
94366	12"	12"	1	94433	24"	96"	17
94361	12"	18"	2	94434	30"	12"	1
94365	12"	24"	3	94435	30"	18"	2
94367	12"	30"	4	94351	30"	24"	3
94364	12"	36"	5	94350	30"	30"	4
94368	12"	42"	6	94401	30"	36"	5
94369	12"	48"	8	94436	30"	42"	6
94370	12"	54"	9	94437	30"	48"	8
94378	12"	60"	10	94438	30"	54"	9
94379	12"	66"	11	94439	30"	60"	10
94380	12"	72"	12	94440	30"	66"	11
94381	12"	78"	13	94441	30"	72"	12
94382	12"	84"	14	94442	30"	78"	13
94383	12"	90"	16	94443	30"	84"	14
94385	12"	96"	17	94445	30"	90"	16
94413	18"	12"	1	94446	30"	96"	17
94363	18"	18"	2	94447	36"	12"	1
94388	18"	24"	3	94347	36"	18"	2
94375	18"	30"	4	94392	36"	24"	3
94353	18"	36"	5	94346	36"	30"	4
94390	18"	42"	6	94344	36"	36"	5
94399	18"	48"	8	94448	36"	42"	6
94400	18"	54"	9	94343	36"	48"	8
94403	18"	60"	10	94449	36"	54"	9
94404	18"	66"	11	94342	36"	60"	10
94405	18"	72"	12	94450	36"	66"	11
94406	18"	78"	13	94345	36"	72"	12
94411	18"	84"	14	94451	36"	78"	13
94421	18"	90"	16	94452	36"	84"	14
94422	18"	96"	17	94453	36"	90"	16
94423	24"	12"	1	94454	36"	96"	17
94356	24"	18"	2	94455	42"	12"	1
94355	24"	24"	3	94415	42"	18"	2
94354	24"	30"	4	94456	42"	24"	3
94394	24"	36"	5	94340	42"	30"	4
94424	24"	42"	6	94457	42"	36"	5
94425	24"	48"	8	94339	42"	42"	6
94426	24"	54"	9	94458	42"	48"	8
94427	24"	60"	10	94459	42"	54"	9
94428	24"	66"	11	94460	42"	60"	10
94429	24"	72"	12	94461	42"	66"	11
94430	24"	78"	13	94462	42"	72"	12
94431	24"	84"	14	94463	42"	78"	13
94432	24"	90"	16	94464	42"	84"	14

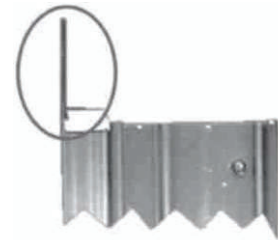


For Special Custom Order Products - Once in production non-cancellable, non-returnable under any circumstance.

LE47A Model - Adjustable

EDP No.	Dimensions (in.)		No. of Blades	EDP No.	Dimensions (in.)		No. of Blades
	Width	Height			Width	Height	
94465	42"	90"	16	94331	54"	54"	9
94466	42"	96"	17	94489	54"	60"	10
94467	48"	12"	1	94490	54"	66"	11
94468	48"	18"	2	94491	54"	72"	12
94395	48"	24"	3	94494	54"	78"	13
94402	48"	30"	4	94495	54"	84"	14
94338	48"	36"	5	94496	54"	90"	16
94469	48"	42"	6	94497	54"	96"	17
94336	48"	48"	8	94498	60"	12"	1
94470	48"	54"	9	94499	60"	18"	2
94335	48"	60"	10	94500	60"	24"	3
94474	48"	66"	11	94501	60"	30"	4
94334	48"	72"	12	94502	60"	36"	5
94478	48"	78"	13	94329	60"	42"	6
94479	48"	84"	14	94330	60"	48"	8
94480	48"	90"	16	94503	60"	54"	9
94481	48"	96"	17	94328	60"	60"	10
94482	54"	12"	1	94504	60"	66"	11
94483	54"	18"	2	94396	60"	72"	12
94484	54"	24"	3	94505	60"	78"	13
94485	54"	30"	4	94506	60"	84"	14
94486	54"	36"	5	94507	60"	90"	16
94487	54"	42"	6	94393	60"	96"	17
94488	54"	48"	8				

Add 10% for Angle (Flanged) Frames. Add \$21.67 per foot of width for Sill Extensions. **Note:** Width and Height are wall opening sizes. Louvers are made 1/2" under size.

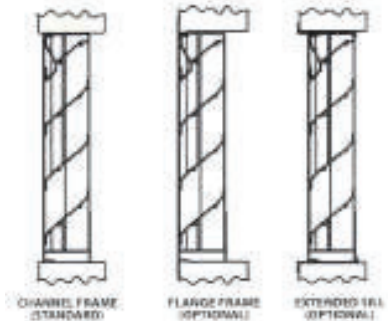


Optional Flange Frame



Standard Channel Frame

LE47 and LE47A



Motorized or Chain Pull Actuators Louvers

For Motorized or Chain Pull Actuator Louvers, Order LE47A and Motor or Chain Pull Actuator

EDP No.	Catalog No.	Voltage	Description
81642	BCMA-405	115V	Actuator
81640	BCMA-305	24V	Actuator
81639	BCMA-419	230V	Actuator
81637	MA6-405	115V	Hazardous Location Actuator with Explosion Proof Motor & Linkage (no mtg. brackets included)
81645	Chain Actuator	-	Plated Steel Spring, 5' Chain, Wall Claw
81636	Panel Crank	-	Manual Hand Crank

Select, Specify and Order LE47 (Manual) and LE47A (Motorized or Chain Pull Actuator) "Width x Height". Transformer for 3 Phase Available.
Note: LE47A Only - Jackshafting to use a single panel actuator on multi-panel louvers - \$2.16 per inch of width.

Optional Louver Screens

Screen Type	List / Sq. Ft.
1/2" .063 aluminum screen	\$4.43
1/2" .047 aluminum screen	\$12.76
1/4" .047 aluminum screen	\$26.73
1/2" .041 galvanized screen	No Add
1/2" .063 galvanized screen	\$4.80
1/4" .041 galvanized screen	\$19.83
1/2" .047 stainless steel (304) screen	\$15.41
1/2" .063 stainless steel (304) screen	\$20.72
Aluminum Insect Screen	\$5.49
Galvanized Insect Screen	\$5.49
Stainless Steel Insect Screen	\$8.86
No Screen DEDUCT	DEDUCT \$5.47



Warning: Cancer and Reproductive Harm www.P65Warnings.ca.gov
 This warning is applicable to all products on this page, see page i2 for more information

Motor Accessories

Motor Controls - Disconnect Switches & Thermostats

Thermostats & Humidistat

EDP No.	Catalog No.	Description
89576*	XRA-4	Thermostat (Wall Mt.) 60° to 100° range
24820	T-1	Temp. Switch (Wall Mt.) 45° to 85° range
90783	TS631	Temp. Switch (Attic Mt.) 70° to 140° range
24880	H-1	Humidistat 20% to 80% RH range

*Single Phase for use up to 3/4 HP

Motor Conversion Kits & Manual Motor Starters

EDP No.	Catalog No.	Description
22982	MTR-556 SP	120/240 Volt, for 10 in. sq - 32 in. sq. exhaust shutters
22983	MTR-556 DP	120/240 Volt, for 36 in. sq - 48 in. sq. exhaust shutters
22984	MTR-885 DP	120/240 Volt, for 56 in. sq - 63 in. sq. exhaust shutters 85388
85388	Switch	115V, 2 Speed, 1 Phase, 3/4 Max HP, 60 Hz Manual Motor Starter without provision for overload protector

Please specify voltage needed when ordering. Units are for single phase operation.

See page 60 for EASR/WC selection and installation information and cautions.

See page 57 for WRHD Heavy Duty Shutter Information

Supply Motor Kits for WC Shutters *Only*

EDP No.	Catalog No.	Description
22900	MK5047-B	120/240 Volt, 9" - 36" Supply Shutters
22905	MK5047-C	440 Volt, for 9" - 36" Supply Shutters
22908	MK5047-E	550 Volt, for 9" - 36" Supply Shutters
22910	MK-4782-F	120/420 Volt, for 42" - 48" Supply Shutters
22915	MK-4782-C	440 Volt, for 42" - 48" Supply Shutters
22918	MK-4782-E	550 Volt, for 42" - 48" Supply Shutters

Please specify voltage needed when ordering. Units are for single phase operation.

54" Supply Shutter Requires: (1) MK-4782 Motor Kit

60" Supply Shutter Requires: (1) MK-5047 and (1) MK-4782 Motor Kit

See page 60 for EASR-MF/WC selection and installation information and cautions.

Note: Shutter Motor Kits are "power open - spring close". The power opens the shutter and holds it open until the power is turned off, then a spring on the motor closes the shutter.

Manual Chain Operators for EASR Exhaust Shutters

EDP No.	Catalog No.	Description
80111	Manual Chain Operator	for EASR-MF 10" - 38" 1 Panel Shutter
80112	Manual Chain Operator	for EASR-MF 44" - 54" 2 Panel Shutter

