

## Direct Drive Upblast Propeller Roof Ventilators

For Special Custom Order Products - Once in production non-cancellable, non-returnable under any circumstance.

### UP Models

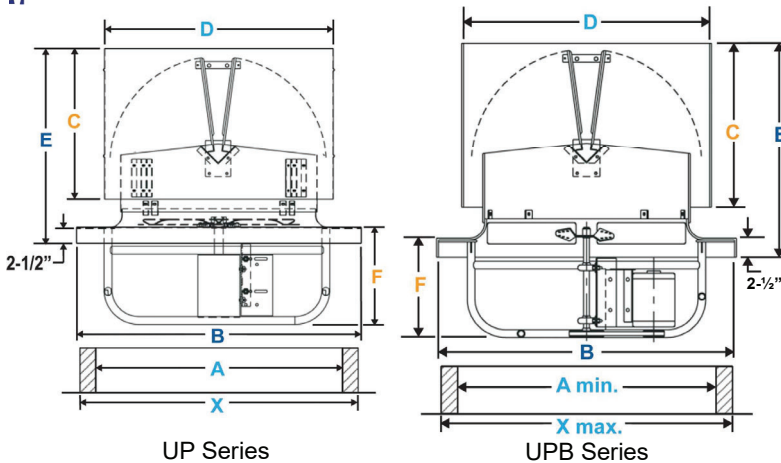
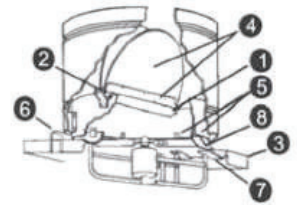


#### 1 Year Warranty Features

- Includes Magnetic Latches on Dampers that Minimize Flutter when Fan is not in Operation
- Discharges Heat, Fumes, Moisture High Above Roof
- Ideal for General Ventilation
- Totally Enclosed Motors

#### Construction Features

1. Weatherproof streamlined drain trough
2. Rigid bearing bracket with iolite damper bearings
3. Leak proof base, no bolt holes
4. Aluminum dampers with reinforced center strip
5. All metal assembly for permanent alignment and rattle free operation
6. Lifting lugs on large units to facilitate installation
7. Welded base and hanger assembly
8. Internal condensation drain.



Prop Dia.	Dimensions (in.)							
	A Max	B	C	D	E	F		X Max
						UP	UPB	
18	24	33	18	24	22	9 1/4	---	32
24	31	39	22	30	26	10 1/2	14	38
30	37	45	25	36	29	14 3/4	14	44
36	43	51	28	42	32	14 3/4	14	50
42	50	57	32	48	36	17 3/4	14	56
48	55	63	34	54	38	18	15	62
60	66	75	42	66	46	18	15	74

\*APPROXIMATE - varies with motor size

#### Motor Voltage Key

1 Phase	115/230V
3 Phase	230/460V

### Direct Drive

EDP No.	Catalog No.	Prop Dia.	HP	RPM	Capacity (CFM) @ "SP in. W.G.			Max BHP	Ship Wt.
					0"	1/8"	1/4"		
30250	UP18H-G3	18"	1/2	1750	3853	3550	3215	0.57	186
30400	UP18H-G8								
30260	UP24H-F3	24"	1/3	1150	4495	3948	---	1.36	230
30410	UP24H-F8								
30270	UP24H-I3	24"	1	1750	6847	6482	6126	0.94	243
30420	UP24H-I8								
30280	UP30H-H3	30"	3/4	1150	9802	8885	7597	0.64	285
30430	UP30H-H8								
30440	UP30H-K8	30"	2	1750	14910	14368	13752	2.25	306
30450	UP36H-I8	36"	1	1150	10194	8961	---	0.70	370
30460	UP36H-L8	36"	3	1750	15500	14640	13840	2.45	419
30470	UP42H-I8	42"	1	850	14640	13222	11985	0.94	500
30480	UP42H-K8	42"	2	1150	17618	16879	16019	1.99	500
30490	UP42H-M8	42"	5	1150	26150	25120	24040	4.35	569
30500	UP48H-K8	48"	2	850	21840	20200	18400	1.76	575
30510	UP48H-M8	48"	5	1150	29500	28300	27100	4.58	646
30520	UP60H-L8	60"	3	850	32200	29775	27550	2.30	775



## Belt Drive Upblast Propeller Roof Ventilators

**For Special Custom Order Products - Once in production non-cancellable, non-returnable under any circumstance.**

### UPB Models

#### Motor Voltage Key

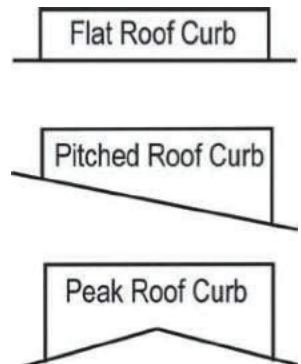
1 Phase	115/230V
3 Phase	230/460V

### Belt Drive

EDP No.	Catalog No.	Prop Dia.	HP	RPM	Capacity (CFM) @ "SP in. W.G.			Max BHP	Ship Wt.
					0"	1/8"	1/4"		
30600	UPB24R-G3	24"	1/2	985	5652	4967	4152	0.57	270
30850	UPB24R-G8								
30610	UPB24R-H3	24"	3/4	1133	6501	5940	5309	0.74	270
30860	UPB24R-H8								
30620	UPB24R-I3	24"	1	1256	7207	6690	6121	1.01	270
30870	UPB24R-I8								
30630	UPB30R-H3	30"	3/4	773	8870	7900	6493	0.77	330
30880	UPB30R-H8								
30640	UPB30R-I3	30"	1	849	9742	8944	7836	1.02	330
30890	UPB30R-I8								
30650	UPB30R-J3	30"	1 1/2	979	11233	10730	9644	1.57	330
30900	UPB30R-J8								
30910	UPB30R-K8	30"	2	1085	12449	12072	11061	2.13	330
30670	UPB36R-I3	36"	1	661	12367	10698	9401	0.97	375
30920	UPB36R-I8								
30680	UPB36R-J3	36"	1 1/2	767	14350	13024	11250	1.51	375
30930	UPB36R-J8								
30940	UPB36R-K8	36"	2	857	16033	14810	13804	2.11	375
30950	UPB36R-L8	36"	3	981	18353	17355	16406	3.17	375
30960	UPB36R-M8	36"	5	1172	21927	21057	20291	5.4	375
30720	UPB42R-J3	42"	1 1/2	598	17332	15616	13557	1.39	525
30970	UPB42R-J8								
30980	UPB42R-K8	42"	2	670	19418	17958	16174	1.95	525
30990	UPB42R-L8	42"	3	781	22635	21475	19943	3.09	525
31000	UPB42R-M8	42"	5	928	26896	25994	24767	5.18	525
31010	UPB48R-L8	48"	3	633	27124	25307	22865	2.99	600
31020	UPB48R-M8	48"	5	660	30516	28662	26807	3.96	600
31030	UPB60R-L8	60"	3	394	36216	31488	26008	3.04	800
31040	UPB60R-M8	60"	5	473	43478	39543	35691	5.25	800

### Roof Curbs for UP & UPB Series

EDP No.	Catalog No.	Prop Dia.	Description	Ship Wt.
31050	PACN31.5-8	18"	31½" x 31½" x 8" Insulated Steel Curb	34
31055	PACN37.5-8	24"	37½" x 37½" x 8" Insulated Steel Curb	39
31060	PACN43.5-8	30"	43½" x 43½" x 8" Insulated Steel Curb	45
31065	PACN49.5-8	36"	49½" x 49½" x 8" Insulated Steel Curb	50
31070	PACN55.5-8	42"	55½" x 55½" x 8" Insulated Steel Curb	60
31075	PACN61.5-8	48"	61½" x 61½" x 8" Insulated Steel Curb	67
31080	PACN73.5-8	60"	73½" x 73½" x 8" Insulated Steel Curb	85



PACN Curbs do not have Damper Shelf. For dimension data, see page 73. Speed (RPM) in nominal. Performance is based on actual speed of test. Performance ratings do not include the effects of appurtenances in the airstream. Power ratings (BHP) do not include drive losses. **Pitched Roof Curb price: Flat Roof Curb Price x 1.67. Peaked Roof Curb price: Flat Roof Curb Price x 2.22. For pricing of Pitched or Peaked Roof Curbs greater than 8" in height, consult factory. Please specify Pitched or Peaked when ordering.** Metal roofs, consult factory for sizing and pricing.