

Low Pressure Belt Drive Fans

HA Models



1 Year Warranty

Features

- Available for Exhaust or Supply
- Precision Balanced Propellers
- Energy Efficient
- Epoxy Coated
- Quiet



Catalog No.	Prop Dia.	HP	Fan RPM	Max BHP	Capacity (CFM) @ "SP					Max. Sones @ 5'	Ship Wt.	See Page
					0"	1/8"	1/4"	3/8"	1/2"			
HA24CA	24"	1/4	746	0.28	4398	3745	---	---	---	12.4	70	63
HA24DA	24"	1/3	805	0.37	4746	4210	2885	---	---	12.9	80	63
HA24FA	24"	1/2	980	0.64	5778	5409	4617	---	---	18.4	85	63
HA24HA	24"	3/4	1080	0.86	6367	6049	5502	4428	---	22.6	92	63
HA24JA	24"	1	1180	1.14	6957	6674	6257	5453	4462	26.3	111	64
HA24KA	24"	1½	1340	1.63	7900	7658	7349	6867	6067	34.0	121	64
HA30DA	30"	1/3	530	0.36	6518	4821	2608	---	---	8.8	98	64
HA30FA	30"	1/2	640	0.55	7871	6735	4669	---	---	12.8	103	64
HA30HA	30"	3/4	730	0.85	8978	8080	6439	4690	---	19.3	108	65
HA30JA	30"	1	820	1.14	10085	9333	8114	6425	---	20.8	127	65
HA30KA	30"	1½	930	1.67	11438	10804	9913	8579	7089	28.2	136	65
HA36FA	36"	1/2	561	0.56	9720	8211	5602	---	---	14.0	122	65
HA36HA	36"	3/4	650	0.83	11262	10143	7951	---	---	18.1	128	66
HA36JA	36"	1	720	1.10	12475	11533	9805	---	---	21.8	148	66
HA36KA	36"	1½	820	1.65	14207	13429	12223	10377	---	26.3	157	66
HA36MA	36"	2	890	2.15	15420	14721	13739	12219	10464	30.3	172	66
HA42FA	42"	1/2	410	0.58	12797	9882	---	---	---	12.0	169	67
HA42HA	42"	3/4	453	0.83	14139	11686	7833	---	---	14.4	170	67
HA42JA	42"	1	500	1.08	15606	13517	10254	---	---	17.1	215	67
HA42KA	42"	1½	583	1.66	18197	16533	14113	---	---	21.1	225	67
HA42MA	42"	2	635	2.20	19820	18339	16298	13666	---	24.8	235	68
HA42OA	42"	3	725	3.28	22629	21378	19787	17760	15381	31.8	255	68
HA48HA	48"	3/4	395	0.86	17392	14182	---	---	---	15.9	223	68
HA48JA	48"	1	420	1.13	18493	15544	10953	---	---	16.6	225	68
HA48KA	48"	1½	485	1.67	21335	18883	15665	---	---	23.4	230	69
HA48MA	48"	2	535	2.31	23556	20848	18132	14264	---	26.1	245	69
HA48OA	48"	3	610	3.43	26858	24896	22832	20205	---	35.5	265	69
HA48PA	48"	5	690	4.79	30381	28610	26909	24888	22419	53.9	285	69
HA54JA	54"	1	301	1.11	21524	17049	8814	---	---	12.6	310	70
HA54KA	54"	1½	353	1.65	25243	21902	15939	---	---	16.2	313	70
HA54MA	54"	2	383	2.20	27388	24450	19521	12944	---	18.7	320	70
HA54OA	54"	3	437	3.31	31250	28802	25241	20099	14178	23.4	370	70
HA54PA	54"	5	527	5.50	37686	35717	33353	30099	25907	31.8	385	71
HA54QA	54"	7½	600	8.13	42906	41174	39308	36935	33896	41.4	455	71
HA60KA	60"	1½	295	1.64	28923	24368	16985	---	---	22.1	395	71
HA60MA	60"	2	328	2.20	32158	28269	22401	---	---	26.1	400	71
HA60OA	60"	3	373	3.29	36570	33294	28826	22824	---	30.3	450	72
HA60PA	60"	5	447	5.50	43825	41170	38024	33975	---	44.3	465	72
HA60QA	60"	7½	510	8.18	50002	47680	45165	42090	38385	57.2	535	72
HA60RA	60"	10	570	11.31	55885	53786	51667	49180	46262	68.5	555	72



Low Pressure Belt Drive Fans

HA Models and Accessories

Catalog No.	Prop Dia.	HP	Fan RPM	Max BHP	Capacity (CFM) @ "SP					Max. Sones @ 5'	Ship Wt.
					0"	1/8"	1/4"	3/8"	1/2"		
HA24CA	24"	1/4	746	0.28	4398	3745	---	---	---	12.4	70
	EDP No.	Volt	Phase	Speed	Motor	Optional Accessories			EDP No.	Catalog No.	
	42506	230/460	3	1	TE	Exhaust Shutter			22975	EASRMF-26	
	95100	---	---	---	Less Motor & Drive	Supply Shutter			22641	WC24	
							Wall Collar			06887	WS24
							Rear Safety Guard			23620	24RG
						Front Safety Guard			23675	24FG	
HA24DA	24"	1/3	805	0.37	4746	4210	2885	---	---	12.9	80
	EDP No.	Volt	Phase	Speed	Motor	Optional Accessories			EDP No.	Catalog No.	
	42518	115/230	1	1	TE	Exhaust Shutter			22975	EASRMF-26	
	42521	230/460	3	1	TE	Supply Shutter			22641	WC24	
	95100	---	---	---	Less Motor & Drive	Wall Collar			06887	WS24	
							Rear Safety Guard			23620	24RG
						Front Safety Guard			23675	24FG	
HA24FA	24"	1/2	980	0.64	5778	5409	4617	---	---	18.4	85
	EDP No.	Volt	Phase	Speed	Motor	Optional Accessories			EDP No.	Catalog No.	
	42539	115/230	1	1	TE	Exhaust Shutter			22975	EASRMF-26	
	42542	230/460	3	1	TE	Supply Shutter			22641	WC24	
	95100	---	---	---	Less Motor & Drive	Wall Collar			06887	WS24	
							Rear Safety Guard			23620	24RG
						Front Safety Guard			23675	24FG	
HA24HA	24"	3/4	1080	0.86	6367	6049	5502	4428	---	22.6	92
	EDP No.	Volt	Phase	Speed	Motor	Optional Accessories			EDP No.	Catalog No.	
	42554	115/230	1	1	TE	Exhaust Shutter			22975	EASRMF-26	
	42557	230/460	3	1	TE	Supply Shutter			22641	WC24	
	95100	---	---	---	Less Motor & Drive	Wall Collar			06887	WS24	
							Rear Safety Guard			23620	24RG
						Front Safety Guard			23675	24FG	

Low Pressure Belt Drive Fans

HA Models and Accessories

Catalog No.	Prop Dia.	HP	Fan RPM	Max BHP	Capacity (CFM) @ "SP					Max. Sones @ 5'	Ship Wt.
					0"	1/8"	1/4"	3/8"	1/2"		
HA24JA	24"	1	1180	1.14	6957	6674	6257	5453	4462	26.3	111
	EDP No.	Volt	Phase	Speed	Motor	Optional Accessories			EDP No.	Catalog No.	
	42569	115/230	1	1	TE	Exhaust Shutter			22975	EASRMF-26	
	42572	230/460	3	1	TE	Supply Shutter			22641	WC24	
	95100	---	---	---	Less Motor & Drive	Wall Collar			06887	WS24	
						Rear Safety Guard			23620	24RG	
						Front Safety Guard			23675	24FG	
HA24KA	24"	1½	1340	1.63	7900	7658	7349	6867	6067	34.0	121
	EDP No.	Volt	Phase	Speed	Motor	Optional Accessories			EDP No.	Catalog No.	
	42584	115/230	1	1	TE	Exhaust Shutter			22975	EASRMF-26	
	42587	230/460	3	1	TE	Supply Shutter			22641	WC24	
	95100	---	---	---	Less Motor & Drive	Wall Collar			06887	WS24	
						Rear Safety Guard			23620	24RG	
						Front Safety Guard			23675	24FG	
HA30DA	30"	1/3	530	0.36	6518	4821	2608	---	---	8.8	98
	EDP No.	Volt	Phase	Speed	Motor	Optional Accessories			EDP No.	Catalog No.	
	42596	115/230	1	1	TE	Exhaust Shutter			22976	EASRMF-32	
	42599	230/460	3	1	TE	Supply Shutter			22651	WC30	
	95104	---	---	---	Less Motor & Drive	Wall Collar			06888	WS30	
						Rear Safety Guard			23625	30RG	
						Front Safety Guard			23680	30FG	
HA30FA	30"	1/2	640	0.55	7871	6735	4669	---	---	12.8	103
	EDP No.	Volt	Phase	Speed	Motor	Optional Accessories			EDP No.	Catalog No.	
	42618	115/230	1	1	TE	Exhaust Shutter			22976	EASRMF-32	
	42621	230/460	3	1	TE	Supply Shutter			22651	WC30	
	95104	---	---	---	Less Motor & Drive	Wall Collar			06888	WS30	
						Rear Safety Guard			23625	30RG	
						Front Safety Guard			23680	30FG	



Low Pressure Belt Drive Fans

HA Models and Accessories

Catalog No.	Prop Dia.	HP	Fan RPM	Max BHP	Capacity (CFM) @ "SP					Max. Sones @ 5'	Ship Wt.
					0"	1/8"	1/4"	3/8"	1/2"		
HA30HA	30"	3/4	730	0.85	8978	8080	6439	4690	---	19.3	108
	EDP No.	Volt	Phase	Speed	Motor	Optional Accessories			EDP No.	Catalog No.	
	42630	115/230	1	1	TE	Exhaust Shutter			22976	EASRMF-32	
	42633	230/460	3	1	TE	Supply Shutter			22651	WC30	
	95104	---	---	---	Less Motor & Drive	Wall Collar			06888	WS30	
						Rear Safety Guard			23625	30RG	
						Front Safety Guard			23680	30FG	
HA30JA	30"	1	820	1.14	10085	9333	8114	6425	---	20.8	127
	EDP No.	Volt	Phase	Speed	Motor	Optional Accessories			EDP No.	Catalog No.	
	42648	115/230	1	1	TE	Exhaust Shutter			22976	EASRMF-32	
	42651	230/460	3	1	TE	Supply Shutter			22651	WC30	
	95104	---	---	---	Less Motor & Drive	Wall Collar			06888	WS30	
						Rear Safety Guard			23625	30RG	
						Front Safety Guard			23680	30FG	
HA30KA	30"	1½	930	1.67	11438	10804	9913	8579	7089	28.2	136
	EDP No.	Volt	Phase	Speed	Motor	Optional Accessories			EDP No.	Catalog No.	
	42666	115/230	1	1	TE	Exhaust Shutter			22976	EASRMF-32	
	42669	230/460	3	1	TE	Supply Shutter			22651	WC30	
	95104	---	---	---	Less Motor & Drive	Wall Collar			06888	WS30	
						Rear Safety Guard			23625	30RG	
						Front Safety Guard			23680	30FG	
HA36FA	36"	1/2	561	0.56	9720	8211	5602	---	---	14.0	122
	EDP No.	Volt	Phase	Speed	Motor	Optional Accessories			EDP No.	Catalog No.	
	42678	115/230	1	1	TE	Exhaust Shutter			22977	EASRMF-38	
	42681	230/460	3	1	TE	Supply Shutter			22661	WC36	
	95108	---	---	---	Less Motor & Drive	Wall Collar			06889	WS36	
						Rear Safety Guard			23630	36RG	
						Front Safety Guard			23685	36FG	

Low Pressure Belt Drive Fans

HA Models and Accessories

Catalog No.	Prop Dia.	HP	Fan RPM	Max BHP	Capacity (CFM) @ "SP					Max. Sones @ 5'	Ship Wt.
					0"	1/8"	1/4"	3/8"	1/2"		
HA36HA	36"	3/4	650	0.83	11262	10143	7951	---	---	18.1	128
	EDP No.	Volt	Phase	Speed	Motor	Optional Accessories			EDP No.	Catalog No.	
	42696	115/230	1	1	TE	Exhaust Shutter			22977	EASRMF-38	
	42699	230/460	3	1	TE	Supply Shutter			22661	WC36	
	95108	---	---	---	Less Motor & Drive	Wall Collar			06889	WS36	
						Rear Safety Guard			23630	36RG	
						Front Safety Guard			23685	36FG	
HA36JA	36"	1	720	1.10	12475	11533	9805	---	---	21.8	148
	EDP No.	Volt	Phase	Speed	Motor	Optional Accessories			EDP No.	Catalog No.	
	42708	115/230	1	1	TE	Exhaust Shutter			22977	EASRMF-38	
	42711	230/460	3	1	TE	Supply Shutter			22661	WC36	
	95108	---	---	---	Less Motor & Drive	Wall Collar			06889	WS36	
						Rear Safety Guard			23630	36RG	
						Front Safety Guard			23685	36FG	
HA36KA	36"	1½	820	1.65	14207	13429	12223	10377	---	26.3	157
	EDP No.	Volt	Phase	Speed	Motor	Optional Accessories			EDP No.	Catalog No.	
	42732	115/230	1	1	TE	Exhaust Shutter			22977	EASRMF-38	
	42735	230/460	3	1	TE	Supply Shutter			22661	WC36	
	95108	---	---	---	Less Motor & Drive	Wall Collar			06889	WS36	
						Rear Safety Guard			23630	36RG	
						Front Safety Guard			23685	36FG	
HA36MA	36"	2	890	2.15	15420	14721	13739	12219	10464	30.3	172
	EDP No.	Volt	Phase	Speed	Motor	Optional Accessories			EDP No.	Catalog No.	
	42753	230/460	3	1	TE	Exhaust Shutter			22977	EASRMF-38	
	95108	---	---	---	Less Motor & Drive	Supply Shutter			22661	WC36	
							Wall Collar			06889	WS36
						Rear Safety Guard			23630	36RG	
						Front Safety Guard			23685	36FG	



Low Pressure Belt Drive Fans

HA Models and Accessories

Catalog No.	Prop Dia.	HP	Fan RPM	Max BHP	Capacity (CFM) @ "SP					Max. Sones @ 5'	Ship Wt.
					0"	1/8"	1/4"	3/8"	1/2"		
HA42FA	42"	1/2	410	0.58	12797	9882	---	---	---	12.0	169
	EDP No.	Volt	Phase	Speed	Motor	Optional Accessories			EDP No.	Catalog No.	
	42762	115/230	1	1	TE	Exhaust Shutter			22978	EASRMF-44	
	42765	230/460	3	1	TE	Supply Shutter			22671	WC42	
	95112	---	---	---	Less Motor & Drive	Wall Collar			06890	WS42	
						Rear Safety Guard			23635	42RG	
						Front Safety Guard			23690	42FG	
HA42HA	42"	3/4	453	0.83	14139	11686	7833	---	---	14.4	170
	EDP No.	Volt	Phase	Speed	Motor	Optional Accessories			EDP No.	Catalog No.	
	42774	115/230	1	1	TE	Exhaust Shutter			22978	EASRMF-44	
	42777	230/460	3	1	TE	Supply Shutter			22671	WC42	
	95112	---	---	---	Less Motor & Drive	Wall Collar			06890	WS42	
						Rear Safety Guard			23635	42RG	
						Front Safety Guard			23690	42FG	
HA42JA	42"	1	500	1.08	15606	13517	10254	---	---	17.1	215
	EDP No.	Volt	Phase	Speed	Motor	Optional Accessories			EDP No.	Catalog No.	
	42786	115/230	1	1	TE	Exhaust Shutter			22978	EASRMF-44	
	42789	230/460	3	1	TE	Supply Shutter			22671	WC42	
	95112	---	---	---	Less Motor & Drive	Wall Collar			06890	WS42	
						Rear Safety Guard			23635	42RG	
						Front Safety Guard			23690	42FG	
HA42KA	42"	1½	583	1.66	18197	16533	14113	---	---	21.1	225
	EDP No.	Volt	Phase	Speed	Motor	Optional Accessories			EDP No.	Catalog No.	
	42807	115/230	1	1	TE	Exhaust Shutter			22978	EASRMF-44	
	42810	230/460	3	1	TE	Supply Shutter			22671	WC42	
	95112	---	---	---	Less Motor & Drive	Wall Collar			06890	WS42	
						Rear Safety Guard			23635	42RG	
						Front Safety Guard			23690	42FG	

Low Pressure Belt Drive Fans

HA Models and Accessories

Catalog No.	Prop Dia.	HP	Fan RPM	Max BHP	Capacity (CFM) @ "SP					Max. Sones @ 5'	Ship Wt.
					0"	1/8"	1/4"	3/8"	1/2"		
HA42MA	42"	2	635	2.20	19820	18339	16298	13666	---	24.8	235
	EDP No.	Volt	Phase	Speed	Motor	Optional Accessories			EDP No.	Catalog No.	
	42816	230/460	3	1	TE	Exhaust Shutter			22978	EASRMF-44	
	95112	---	---	---	Less Motor & Drive	Supply Shutter			22671	WC42	
							Wall Collar			06890	WS42
							Rear Safety Guard			23635	42RG
						Front Safety Guard			23690	42FG	
HA42OA	42"	3	725	3.28	22629	21378	19787	17760	15381	31.8	255
	EDP No.	Volt	Phase	Speed	Motor	Optional Accessories			EDP No.	Catalog No.	
	42825	230/460	3	1	TE	Exhaust Shutter			22978	EASRMF-44	
	95112	---	---	---	Less Motor & Drive	Supply Shutter			22671	WC42	
							Wall Collar			06890	WS42
							Rear Safety Guard			23635	42RG
						Front Safety Guard			23690	42FG	
HA48HA	48"	3/4	395	0.86	17392	14182	---	---	---	15.9	223
	EDP No.	Volt	Phase	Speed	Motor	Optional Accessories			EDP No.	Catalog No.	
	42834	115/230	1	1	TE	Exhaust Shutter			22979	EASRMF-50	
	42837	230/460	3	1	TE	Supply Shutter			22681	WC48	
	95116	---	---	---	Less Motor & Drive	Wall Collar			06891	WS48	
							Rear Safety Guard			23640	48RG
						Front Safety Guard			23695	48FG	
HA48JA	48"	1	420	1.13	18493	15544	10953	---	---	16.6	225
	EDP No.	Volt	Phase	Speed	Motor	Optional Accessories			EDP No.	Catalog No.	
	42846	115/230	1	1	TE	Exhaust Shutter			22979	EASRMF-50	
	42849	230/460	3	1	TE	Supply Shutter			22681	WC48	
	95116	---	---	---	Less Motor & Drive	Wall Collar			06891	WS48	
							Rear Safety Guard			23640	48RG
						Front Safety Guard			23695	48FG	



Low Pressure Belt Drive Fans

HA Models and Accessories

Catalog No.	Prop Dia.	HP	Fan RPM	Max BHP	Capacity (CFM) @ "SP					Max. Sones @ 5'	Ship Wt.
					0"	1/8"	1/4"	3/8"	1/2"		
HA48KA	48"	1½	485	1.67	21335	18883	15665	---	---	23.4	230
	EDP No.	Volt	Phase	Speed	Motor	Optional Accessories			EDP No.	Catalog No.	
	42861	115/230	1	1	TE	Exhaust Shutter			22979	EASRMF-50	
	42864	230/460	3	1	TE	Supply Shutter			22681	WC48	
	95116	---	---	---	Less Motor & Drive	Wall Collar			06891	WS48	
						Rear Safety Guard			23640	48RG	
					Front Safety Guard			23695	48FG		
HA48MA	48"	2	535	2.31	23556	20848	18132	14264	---	26.1	245
	EDP No.	Volt	Phase	Speed	Motor	Optional Accessories			EDP No.	Catalog No.	
	42876	230/460	3	1	TE	Exhaust Shutter			22979	EASRMF-50	
	95116	---	---	---	Less Motor & Drive	Supply Shutter			22681	WC48	
						Wall Collar			06891	WS48	
						Rear Safety Guard			23640	48RG	
					Front Safety Guard			23695	48FG		
HA48OA	48"	3	610	3.43	26858	24896	22832	20205	---	35.5	265
	EDP No.	Volt	Phase	Speed	Motor	Optional Accessories			EDP No.	Catalog No.	
	42891	230/460	3	1	TE	Exhaust Shutter			22979	EASRMF-50	
	95116	---	---	---	Less Motor & Drive	Supply Shutter			22681	WC48	
						Wall Collar			06891	WS48	
						Rear Safety Guard			23640	48RG	
					Front Safety Guard			23695	48FG		
HA48PA	48"	5	690	4.79	30381	28610	26909	24888	22419	53.9	285
	EDP No.	Volt	Phase	Speed	Motor	Optional Accessories			EDP No.	Catalog No.	
	42903	230/460	3	1	TE	Exhaust Shutter			22979	EASRMF-50	
	95116	---	---	---	Less Motor & Drive	Supply Shutter			22681	WC48	
						Wall Collar			06891	WS48	
						Rear Safety Guard			23640	48RG	
					Front Safety Guard			23695	48FG		

Low Pressure Belt Drive Fans

HA Models and Accessories

Catalog No.	Prop Dia.	HP	Fan RPM	Max BHP	Capacity (CFM) @ "SP					Max. Sones @ 5'	Ship Wt.
					0"	1/8"	1/4"	3/8"	1/2"		
HA54JA	54"	1	301	1.11	21524	17049	8814	---	---	12.6	310
	EDP No.	Volt	Phase	Speed	Motor	Optional Accessories			EDP No.	Catalog No.	
	42915	115/230	1	1	TE	Exhaust Shutter			22980	EASRMF-56	
	42918	230/460	3	1	TE	Supply Shutter			22691	WC54	
	95120	---	---	---	Less Motor & Drive	Wall Collar			06892	WS54	
						Rear Safety Guard			23645	54RG	
						Front Safety Guard			23700	54FG	
HA54KA	54"	1½	353	1.65	25243	21902	15939	---	---	16.2	313
	EDP No.	Volt	Phase	Speed	Motor	Optional Accessories			EDP No.	Catalog No.	
	42927	115/230	1	1	TE	Exhaust Shutter			22980	EASRMF-56	
	42930	230/460	3	1	TE	Supply Shutter			22691	WC54	
	95120	---	---	---	Less Motor & Drive	Wall Collar			06892	WS54	
						Rear Safety Guard			23645	54RG	
						Front Safety Guard			23700	54FG	
HA54MA	54"	2	383	2.20	27388	24450	19521	12944	---	18.7	320
	EDP No.	Volt	Phase	Speed	Motor	Optional Accessories			EDP No.	Catalog No.	
	42936	230/460	3	1	TE	Exhaust Shutter			22980	EASRMF-56	
	95120	---	---	---	Less Motor & Drive	Supply Shutter			22691	WC54	
							Wall Collar			06892	WS54
						Rear Safety Guard			23645	54RG	
						Front Safety Guard			23700	54FG	
HA54OA	54"	3	437	3.31	31250	28802	25241	20099	14178	23.4	370
	EDP No.	Volt	Phase	Speed	Motor	Optional Accessories			EDP No.	Catalog No.	
	42942	230/460	3	1	TE	Exhaust Shutter			22980	EASRMF-56	
	95120	---	---	---	Less Motor & Drive	Supply Shutter			22691	WC54	
							Wall Collar			06892	WS54
						Rear Safety Guard			23645	54RG	
						Front Safety Guard			23700	54FG	



HA Models and Accessories

Catalog No.	Prop Dia.	HP	Fan RPM	Max BHP	Capacity (CFM) @ "SP					Max. Sones @ 5'	Ship Wt.		
					0"	1/8"	1/4"	3/8"	1/2"				
HA54PA	54"	5	527	5.50	37686	35717	33353	30099	25907	31.8	385		
	EDP No.	Volt	Phase	Speed	Motor	Optional Accessories			EDP No.	Catalog No.			
	42951	230/460	3	1	TE	Exhaust Shutter			22980	EASRMF-56			
	95120	---	---	---	Less Motor & Drive	Supply Shutter			22691	WC54			
						Wall Collar			06892	WS54			
						Rear Safety Guard			23645	54RG			
									Front Safety Guard			23700	54FG
HA54QA	54"	7½	600	8.13	42906	41174	39308	36935	33896	41.4	455		
	EDP No.	Volt	Phase	Speed	Motor	Optional Accessories			EDP No.	Catalog No.			
	42960	230/460	3	1	TE	Exhaust Shutter			22980	EASRMF-56			
	95120	---	---	---	Less Motor & Drive	Supply Shutter			22691	WC54			
						Wall Collar			06892	WS54			
						Rear Safety Guard			23645	54RG			
									Front Safety Guard			23700	54FG
HA60KA	60"	1½	295	1.64	28923	24368	16985	---	---	22.1	395		
	EDP No.	Volt	Phase	Speed	Motor	Optional Accessories			EDP No.	Catalog No.			
	42969	115/230	1	1	TE	Exhaust Shutter			22981	EASRMF-62			
	42972	230/460	3	1	TE	Supply Shutter			22701	WC60			
	95124	---	---	---	Less Motor & Drive	Wall Collar			06893	WS60			
						Rear Safety Guard			23650	60RG			
									Front Safety Guard			23705	60FG
HA60MA	60"	2	328	2.20	32158	28269	22401	---	---	26.1	400		
	EDP No.	Volt	Phase	Speed	Motor	Optional Accessories			EDP No.	Catalog No.			
	42981	230/460	3	1	TE	Exhaust Shutter			22981	EASRMF-62			
	95124	---	---	---	Less Motor & Drive	Supply Shutter			22701	WC60			
						Wall Collar			06893	WS60			
						Rear Safety Guard			23650	60RG			
									Front Safety Guard			23705	60FG

Low Pressure Belt Drive Fans

HA Models and Accessories

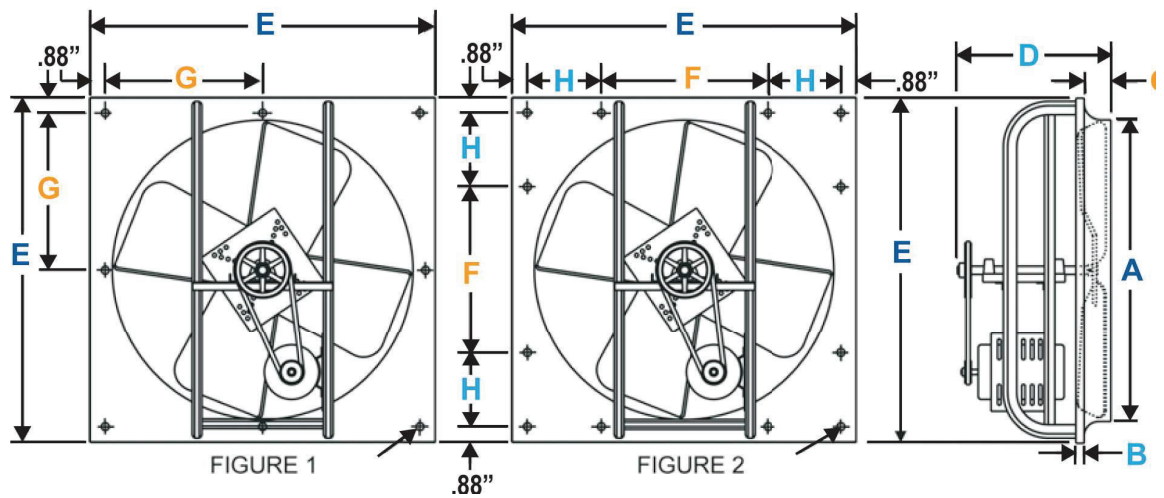
Catalog No.	Prop Dia.	HP	Fan RPM	Max BHP	Capacity (CFM) @ "SP					Max. Sones @ 5'	Ship Wt.
					0"	1/8"	1/4"	3/8"	1/2"		
HA60OA	60"	3	373	3.29	36570	33294	28826	22824	---	30.3	450
	EDP No.	Volt	Phase	Speed	Motor	Optional Accessories			EDP No.	Catalog No.	
	42990	230/460	3	1	TE	Exhaust Shutter			22981	EASRMF-62	
	95124	---	---	---	Less Motor & Drive	Supply Shutter			22701	WC60	
							Wall Collar			06893	WS60
							Rear Safety Guard			23650	60RG
						Front Safety Guard			23705	60FG	
HA60PA	60"	5	447	5.50	43825	41170	38024	33975	---	44.3	465
	EDP No.	Volt	Phase	Speed	Motor	Optional Accessories			EDP No.	Catalog No.	
	43005	230/460	3	1	TE	Exhaust Shutter			22981	EASRMF-62	
	95124	---	---	---	Less Motor & Drive	Supply Shutter			22701	WC60	
							Wall Collar			06893	WS60
							Rear Safety Guard			23650	60RG
						Front Safety Guard			23705	60FG	
HA60QA	60"	7½	510	8.18	50002	47680	45165	42090	38385	57.2	535
	EDP No.	Volt	Phase	Speed	Motor	Optional Accessories			EDP No.	Catalog No.	
	43017	230/460	3	1	TE	Exhaust Shutter			22981	EASRMF-62	
	95124	---	---	---	Less Motor & Drive	Supply Shutter			22701	WC60	
							Wall Collar			06893	WS60
							Rear Safety Guard			23650	60RG
						Front Safety Guard			23705	60FG	
HA60RA	60"	10	570	11.31	55885	53786	51667	49180	46262	68.5	555
	EDP No.	Volt	Phase	Speed	Motor	Optional Accessories			EDP No.	Catalog No.	
	43026	230/460	3	1	TE	Exhaust Shutter			22981	EASRMF-62	
	95124	---	---	---	Less Motor & Drive	Supply Shutter			22701	WC60	
							Wall Collar			06893	WS60
							Rear Safety Guard			23650	60RG
						Front Safety Guard			23705	60FG	



HA Model

WR Heavy Duty Exhaust Shutters

EDP No.	Catalog No.	Shutter Size	Number of Panels	Motor Kit (Required number for WRHD)
22747	WRHD48	50" x 50"	2	MK-4621 (1)
22748	WRHD54	56" x 56"	2	MK-4621 (1)
22749	WRHD60	62" x 62"	3	MK-4620 & MK-4621



HA Model Dimensions

Model	See Figure	Dimensions (in.)								Number of Holes
		A	B	C	D	E	F	G	H	
HA24	1	24-7/16	1	2½	15-3/16	30	---	14 ⅛	---	8
HA30	1	30 ½	1	2 ⅝	18 ⅝	36	---	17 ⅛	---	8
HA36	1	36 ½	1 ½	3 ¼	19 ⅞	42	---	20 ⅞	---	8
HA42	2	42 ½	2	3 ¼	23 ¾	48	18 ¼	---	14	12
HA48	2	48 ½	2	3 ¼	24 ⅞	54	18 ¼	---	17	12
HA54	2	54 ½	2	3 ¼	23-7/16	60	18 ¼	---	20	12
HA60	2	60 ½	2	3 ¼	23-7/16	66	18 ¼	---	23	12