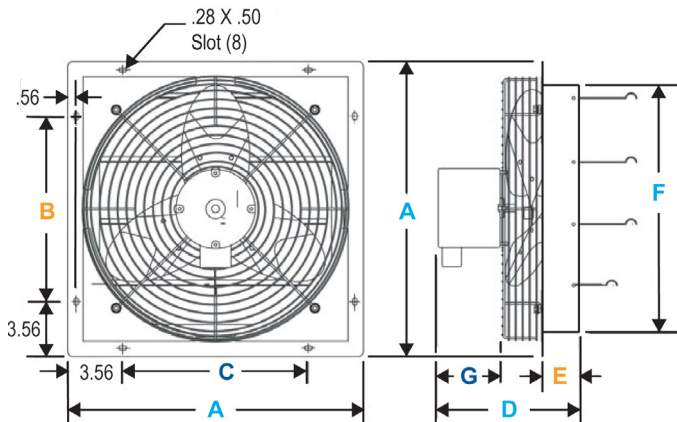
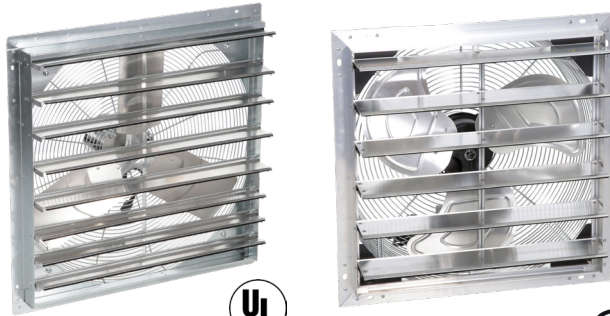


## Direct Drive Fans

### Low Pressure Shutter Fan

EPRSM Models



### 1 Year Warranty

#### Features

- Models are CUL/ UL Listed
- Rear Guard Meets OSHA Standards
- Fully Assembled - Ready to Install
- Totally Enclosed Motor
- Hard Wired unless otherwise indicated

#### Dimensions

Model	A	B	C	D	E	F	G
EPRSM7	11.13	4	4	8.06	2.38	8	3.00
EPRSM10	13.13	6	6	8.06	2.38	10	3.00
EPRSM12	15.13	8	8	8.06	2.38	12	3.00
EPRSM16	19.13	12	12	9.06	2.38	16	4.00
EPRSM18	21.13	14	14	11.00	2.50	18	4.75
EPRSM20	23.13	16	16	11.00	2.50	20	4.75
EPRSM24	27.13	20	20	12.65	3.00	24	5.00
EPRSM30	33.13	26	26	12.65	3.00	30	5.00

### EPRSM

EDP No.	Prop Dia.	Panel Size (Square)	Wall Opening (Square)	0" S.P. CFM	1/8" S.P. CFM	Watts	Motor HP	Volt	F.L. Amp	Max. Sones @ 5'	Ship Wt.
23000	7"	11 1/8"	8 1/2"	121	60	--	1/24	115	1.4	4.8	10
23001	10"	13 1/8"	10 1/2"	611	318	--	1/24	115	1.4	6.6	10
23011*	10"	13 1/8"	11"	496	206	56	--	115	0.60	6.6	10
23015*	12"	15 1/8"	12 1/2"	956	856	138	--	115	1.26	7.6	12
23002	12"	15 1/8"	13"	815	490	--	1/24	115	1.4	7.6	12
23012*	16"	19 1/8"	16 1/2"	1502	1151	142	--	115	1.37	8.0	20
23003	16"	19 1/8"	17"	1216	765	--	1/20	115	1.9	8.0	20
23013*	18"	21 1/8"	19"	1716	1160	145	--	115	1.27	8.4	25
23004	18"	21 1/8"	18 1/2"	1877	752	--	1/15	115	1.3	8.4	25
23007*	20"	23 1/8"	20 1/2"	2235	920	--	1/15	115	1.4	9.0	29
23016*	20"	23 1/8"	20 1/2"	1867	1168	150	--	115	1.36	9.0	29
23005**	24"	27 1/8"	25"	3214	2015	--	1/4	120	3.5	11.7	48
23008**	30"	33 1/8"	30 1/2"	4970	3510	--	1/4	120	3.5	12.0	54

\* Models include Plug and Cord. \*\*23005 & 23008 (3-Speed with Pull Chain, Plug, and Cord Included)

